

**BRIDGEABLE TWO-CHANNEL POWER AMPLIFIER
AMPLIFICATEUR DE PUISSANCE
PONTABLE À DEUX CANAUX
ДВУХКАНАЛЬНЫЙ УСИЛИТЕЛЬ МОЩНОСТИ С
ВОЗМОЖНОСТЬЮ МОСТОВОГО ВКЛЮЧЕНИЯ**

Owner's Manual

PRS-D220

Mode d'emploi

ENGLISH

ESPAÑOL

DEUTSCH

FRANÇAIS

ITALIANO

NEDERLANDS

РУССКИЙ

Before Using This Product	1
Visit our website	1
In case of trouble	1
CAUTION	2
CAUTION	2
WARNING	2
Setting the Unit	3
Power Indicator	3
Top Cover	3
Bass Boost Control	3
BFC (Beat Frequency Control) Switch	3
Cut Off Frequency Control	4
LPF (Low-Pass Filter)/HPF (High-Pass Filter) Select Switch	4
Gain Control	4
Input Switch	4
Setting the Gain properly	5
Connecting the Unit	6
Connection Diagram	7
Solderless Terminal Connections	8
Connecting the Power Terminal	8
Connecting the Speaker Output Terminals	9
Using the Speaker Input	9
Connecting the Speaker Wires	10
Installation	11
Attaching the Bass boost remote control	11
Example of installation on the floor mat or on the chassis	12
Replacing the top cover	12
Specifications	13

Thank you for purchasing this PIONEER product. Before attempting operation, be sure to read this manual.



If you want to dispose this product, do not mix it with general household waste. There is a separate collection system for used electronic products in accordance with legislation that requires proper treatment, recovery and recycling.

Private households in the member states of the EU, in Switzerland and Norway may return their used electronic products free of charge to designated collection facilities or to a retailer (if you purchase a similar new one).

For countries not mentioned above, please contact your local authorities for the correct method of disposal.

By doing so you will ensure that your disposed product undergoes the necessary treatment, recovery and recycling and thus prevent potential negative effects on the environment and human health.

Visit our website

Visit us at the following site:

<http://www.pioneer.co.uk>

- Register your product. We will keep the details of your purchase on file to help you refer to this information in the event of an insurance claim such as loss or theft.
- We offer the latest information about Pioneer Corporation on our website.

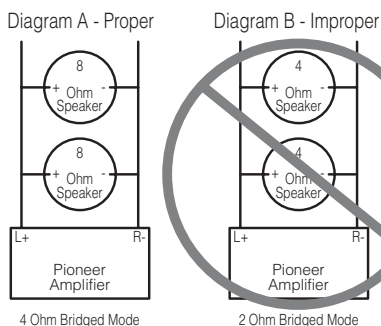
In case of trouble

When the unit does not operate properly, contact your dealer or the nearest authorized PIONEER Service Station.

CAUTION

- Never replace the fuse with one of greater value or rating than the original fuse. Use of an improper fuse could result in overheating and smoke and could cause damage to the product and injury including burns.
- Use the supplied hexagonal wrench to tighten screws when fastening wires to the terminal. The use of a long, commercially available hexagonal wrench can cause excessive torque to be applied possibly resulting in damage to terminals and wires.

CAUTION



Do NOT install or use your Pioneer amplifier by wiring speakers rated at 4 Ohm (or lower) in parallel to achieve a 2 Ohm (or lower) bridged mode (Diagram B). Amplifier damage, smoke, and overheating could result from improper bridging. The amplifier surface could also become hot to the touch and minor burns could result.

To properly install or use a bridged mode for a two-channel amplifier and achieve a 4 Ω load, wire two 8 Ω speakers in parallel with Left + and Right - (Diagram A) or use a single 4 Ω speaker. For a four-channel amplifier, follow the speaker output connection diagram for bridging as shown on the back of your amplifier, and wire two 8 Ω speakers in parallel to achieve a 4 Ω load or use a single 4 Ω speaker per channel.

If you have any questions or concerns, please contact your local authorized

Pioneer dealer or call Pioneer customer service.

WARNING

- We recommend that you use the special red battery and ground wire [RD-228], which is sold separately. Connect the battery wire directly to the car battery positive terminal (+) and the ground wire to the car body.
- Do not touch the amplifier with wet hands. Otherwise you may get an electric shock. Also, do not touch the amplifier when it is wet.
- For traffic safety and to maintain safe driving conditions, keep the volume low enough so that you can still hear normal traffic sound.
- Check the connections of the power supply and speakers if the fuse of the separately sold battery wire or the amplifier fuse blows. Detect the cause and solve the problem, then replace the fuse with another one of the same size and rating.
- To prevent malfunction of the amplifier and speakers, the protective circuit will cut the power supply to the amplifier (sound will stop) when an abnormal condition occurs. In such a case, switch the power to the system OFF and check the connection of the power supply and speakers. Detect the cause and solve the problem.
- Contact the dealer if you cannot detect the cause.
- To prevent an electric shock or short-circuit during connection and installation, be sure to disconnect the negative (-) terminal of the battery beforehand.
- Confirm that no parts are behind the panel when drilling a hole for installation of the amplifier. Be sure to protect all cables and important equipment such as fuel lines, brake lines and the electrical wiring from damage.
- DO NOT allow amplifier to come into contact with liquids due to, for example, the location where the amplifier is installed. Electrical shock could result. Also, amplifier and speaker damage, smoke, and overheating could result from contact with liquids. In addition, the amplifier surface and the surface of any attached speakers could become hot to the touch and minor burns could result.

Setting the Unit

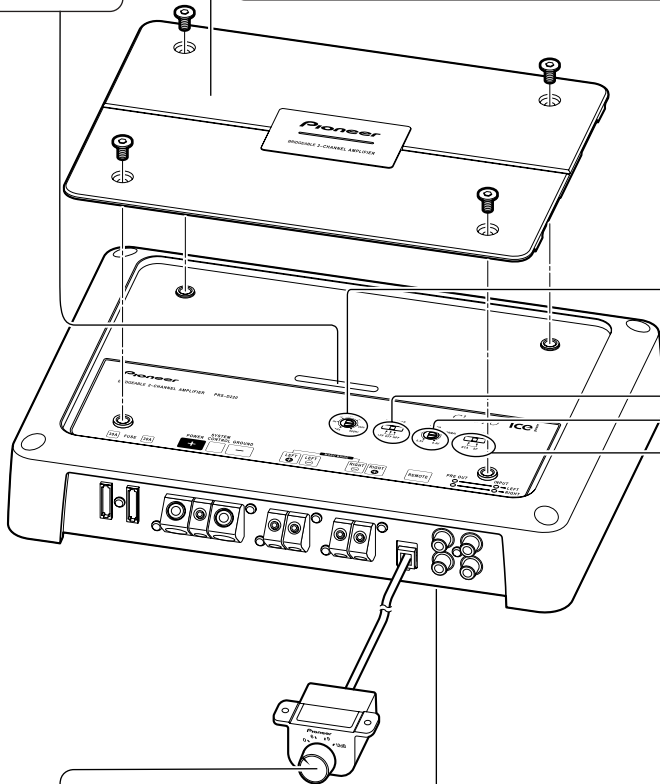
- To adjust the switch, use standard tip screwdriver if needed.

Power Indicator

The power indicator lights when the power is switched on.

Top Cover

Before setting up the unit, unfasten the screws with a 4 mm hexagonal wrench and remove the top cover.



Bass Boost Control

You can select a bass boost level from 0, 6, 9 and 12 dB. For instruction of connecting the bass boost remote control to the amplifier, see the “Connection Diagram” section.

BFC (Beat Frequency Control) Switch

BFC switch is on the bottom of the unit. If you hear a beat while listening to an MW/LW broadcast with your car stereo, change the BFC switch using a small standard tip screwdriver.

Cut Off Frequency Control

If the LPF/HPF select switch is set to LPF or HPF, you can select a cut off frequency from 40 Hz to 500 Hz.

LPF (Low-Pass Filter)/HPF (High-Pass Filter) Select Switch

Set the LPF/HPF select switch as follows according to the type of speaker that is connected to the speaker output connector and the car stereo system:

LPF/HPF Select Switch	Audio frequency range to be output	Speaker Type	Remarks
LPF (Left)	* — 40 Hz to 500 Hz	Subwoofer	Connect a subwoofer.
OFF (Center)	Full range	Full range	
HPF (Right)	* 40 Hz to 500 Hz —	Full range	Use if you want to cut the very low frequency range* because it is not necessary for the speakers you are using.

* See the “Cut Off Frequency Control” section.

Gain Control

If the sound level is too low, even when the volume of the car stereo used along with this power amplifier is turned up, turn gain control clockwise. If the sound distorts when the volume is turned up, turn the gain control counter-clockwise.

- When using with an RCA equipped car stereo (standard output of 500 mV), set to the NORMAL position. When using with an RCA equipped Pioneer car stereo with max. output of 4 V or more, adjust level to match the car stereo output level.
- If you hear too much noise when using the speaker input terminals, turn the gain control counter-clockwise.

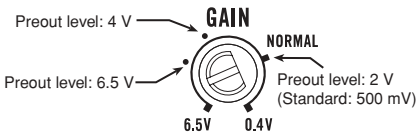
Input Switch

It is possible to input from a car stereo external output (subwoofer output) or a car stereo speaker output. When using an external output (subwoofer output), slide the switch to the left. For connection instructions, see the “Connection Diagram” section. When using a speaker output, slide the switch to the right. In this case, it is necessary to use the supplied speaker input wire with RCA pin cord. For details, see the “Using the Speaker Input” section.

Setting the Gain properly

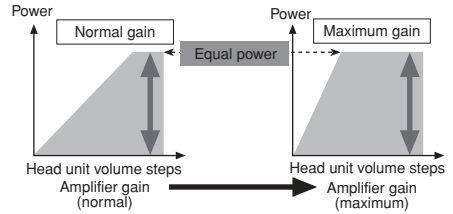
- This unit is equipped with a protective function to prevent malfunction of the unit itself and speakers from too much output, improper use or improper connection.
- When outputting sound at high volume etc., this function will cut off the sound output in a few seconds. But this is not a malfunction. When you turn down the volume of the head unit the sound output will be restored.
- If sound output is cut, the gain control of this unit may be improperly set. To ensure continuous sound output at increased volume of the head unit, set the gain control of the amplifier to a proper position according to the preout maximum output level of the head unit. There is no need to decrease the volume of the head unit and too much output is controlled.
- If you decrease the volume of the head unit and set the gain control of the amplifier to the proper position but still the sound cuts out from time to time, contact the nearest authorized PIONEER Service Station.

Gain Control of This Unit



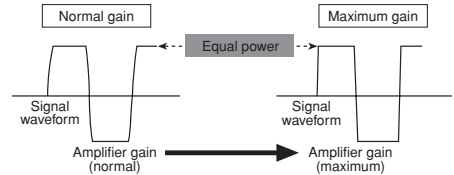
- The above illustration shows the gain set to NORMAL.

Relationship between the gain of the amplifier and the output power of the head unit



- If you raise the gain of the amplifier to an improper level, only distortion is increased and the power increases only slightly.

Signal waveform when outputting at high volume by the gain control of the amplifier



- With high output the signal waveform is distorted, if you raise the gain of the amplifier the power changes only slightly.

CAUTION

- Disconnect the negative (–) terminal of the battery to avoid the risk of short-circuit and damage to the unit.
- Secure the wiring with cable clamps or adhesive tape. To protect the wiring, wrap adhesive tape around it where they lie against metal parts.
- Do not route wires where they will get hot, for example where the heater will blow over them. If the insulation heats up, it may become damaged, resulting in a short-circuit through the vehicle body.

CAUTION:

To prevent damage and/or injury

- Do not ground the speaker wire directly or connect a negative (–) lead wire for several speakers.
- This unit is for vehicles with a 12-volt battery and negative grounding. Before installing it in a recreational vehicle, truck or bus, check the battery voltage.
- If the car stereo is kept on for a long time while the engine is at rest or idling, the battery may go dead. Turn the car stereo off when the engine is at rest or idling.
- If the system remote control wire of the amplifier is connected to the power terminal through the ignition switch (12 V DC), the amplifier will always be on when the ignition is on— regardless of whether the car stereo is on or off. Because of this, the battery could go dead if the engine is at rest or idling.

- Make sure that wires will not interfere with moving parts of the vehicle, such as the gearshift, handbrake or seat sliding mechanism.
- Do not shorten any wires. Otherwise the protection circuit may fail to work when it should.
- Never feed power to other equipment by cutting the insulation of the power supply wire to tap from the wire. The current capacity of the wire will be exceeded, causing overheating.
- Never replace the fuse with one of greater value or rating than the original fuse. Use of an improper fuse could result in overheating and smoke and could cause damage to the product and injury including burns.

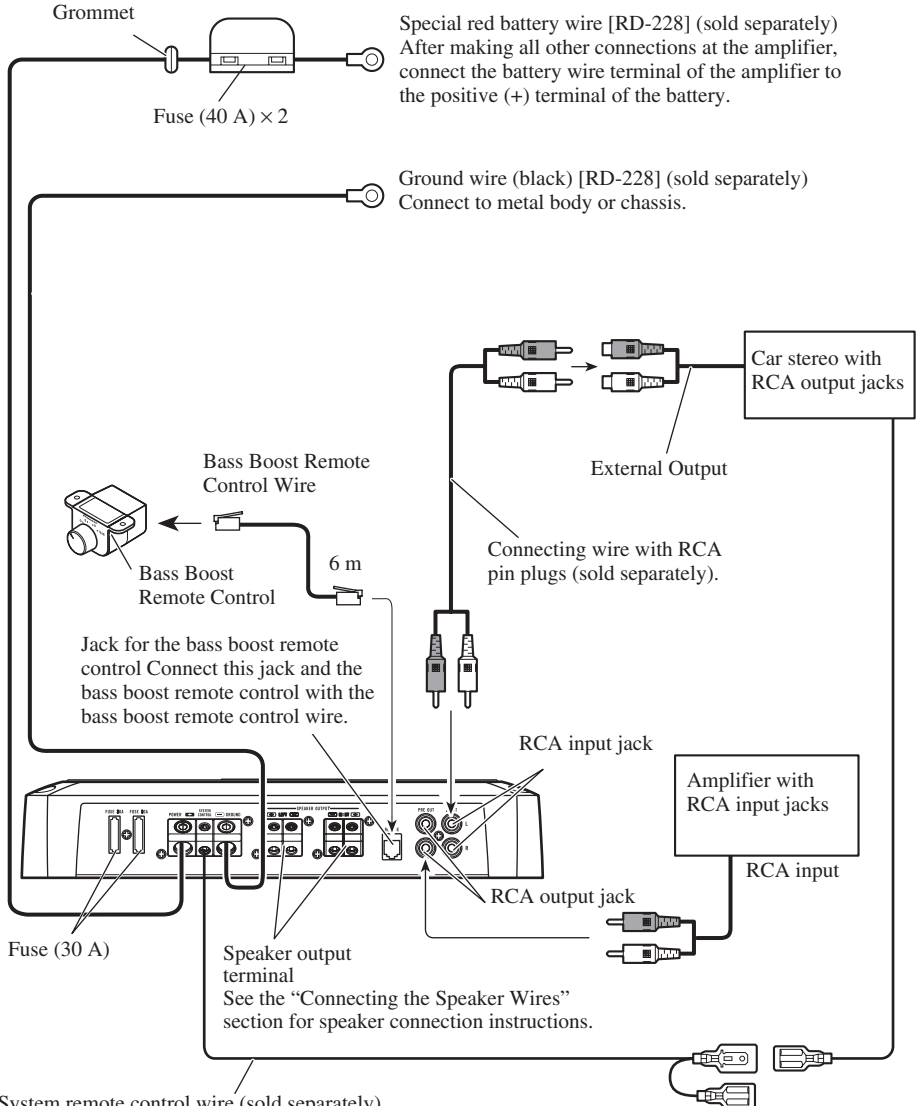
- Speakers to be connected to the amplifier should conform with the standards listed below. If they do not conform, they may catch fire, emit smoke or become damaged. The speaker impedance must be 2 to 8 ohms for stereo connection, and 4 to 8 ohms for monaural and other bridge connection.
- Install and route the separately sold battery wire as far away as possible from the speaker wires. Install and route the separately sold battery wire, ground wire, speaker wires and the amplifier as far away as possible from the antenna, antenna cable and tuner.

Speaker Channel	Speaker Type	Power
Two-channel	Subwoofer	Nominal input: Min. 150 W
	Other than subwoofer	Max. input: Min. 300 W
One-channel	Subwoofer	Nominal input: Min. 600 W
	Other than subwoofer	Max. input: Min. 1 200 W

Connecting the Unit

Connection Diagram

- This diagram shows connections using external output (subwoofer output). Slide the input switch to the left.
- When you connect with speaker output, connections defer from the diagram. For details, see the “Using the Speaker Input” section. In either case, you need to set the input switch. For details, see the “Setting the Unit” section.



Solderless Terminal Connections

- Do not connect a cord having an exposed core wire to the power terminals of this amplifier (Power terminal, GND terminal, System remote control terminal). Disconnection or breakage of the core wire can cause a fire or short-circuit.
- Since the wire will become loose over time, it must be periodically inspected and tightened as necessary.
- Do not solder or bind the ends of the twisted wires.
- Fasten while making sure to not to clamp the insulating sheath of the wire.
- Use the supplied hexagonal wrench to tighten and loosen the terminal screw of the amplifier. Securely fasten the wire with the terminal screw. However, since excessively tightening the terminal screw of the System remote control has the risk of damaging the wire, be careful not to tighten excessively by observing the status of the wire when tightening.

Connecting the Power Terminal

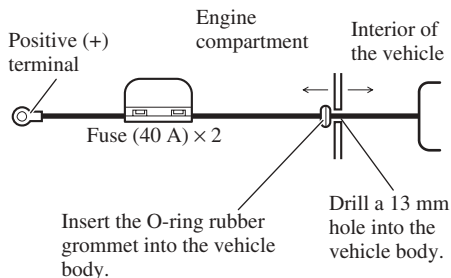
- We recommend that you use the special red battery and ground wire [RD-228], which is sold separately. Connect the battery wire directly to the car battery positive terminal (+) and the ground wire to the car body.
- Recommended wires size (AWG: American Wire Gauge) is as follows. The battery wire and the ground wire must be same size.
- Use a 10 AWG to 20 AWG wire for the system remote control wire.

Battery Wire and Ground Wire Size

Wire Length	less than 4.5 m	less than 7.2 m	less than 11.4 m
Wire Size	8 AWG	6 AWG	4 AWG

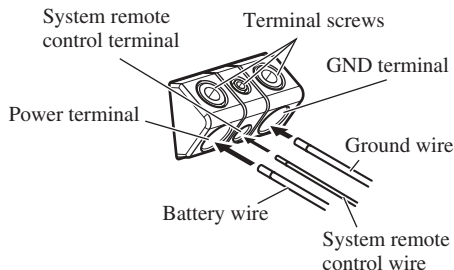
1. Pass the battery wire from the engine compartment to the interior of the vehicle.

- After making all other connections to the amplifier, connect the battery wire terminal of the amplifier to the positive (+) terminal of the battery.



2. Connect the wires to the terminal.

- Fix the wires securely with the terminal screws.



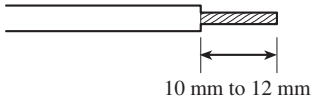
! WARNING

Failure to securely fasten the battery wire to the terminal using the terminal screws could cause the terminal area to overheat and could result in damage and injury including minor burns.

Connecting the Speaker Output Terminals

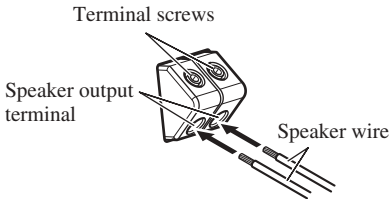
- Use a 10 AWG to 16 AWG wire for the speaker wire.

1. Expose the end of the speaker wires using nippers or a cutter by about 10 mm to 12 mm.



2. Connect the speaker wires to the speaker output terminals.

- Fix the speaker wires securely with the terminal screws.

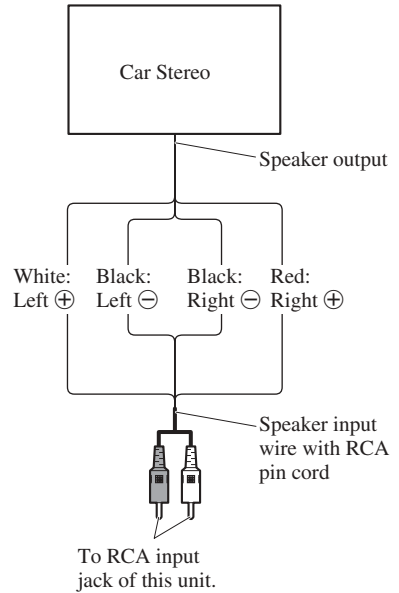


Using the Speaker Input

Connect the car stereo speaker output wires to the amplifier using the supplied speaker input wire with RCA pin cord.

- Slide the input switch to the right (SP).

Connections when using the speaker input



- As a result of connecting the car stereo speaker output wire to the amplifier, the power of the amplifier is turned on automatically when the car stereo is turned on. It is not necessary to connect the system remote control wire in this case.
- In the case the amplifier and head unit are connected using a speaker input wire with RCA pin cord, the amplifier power is only turned on when one amplifier is being used. If two or more amplifiers are synchronously connected in combination, connect the head unit and all of the amplifiers with the system remote control wire.

Note:

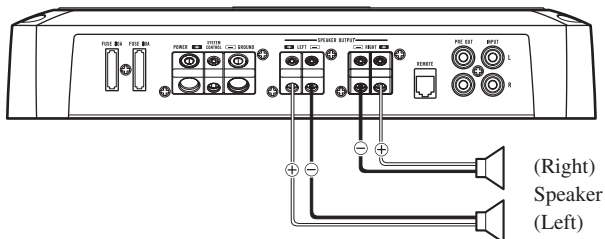
- Connect the system remote control wire when the power of the amplifier is not to be turned on when the car stereo is turned on.

Connecting the Speaker Wires

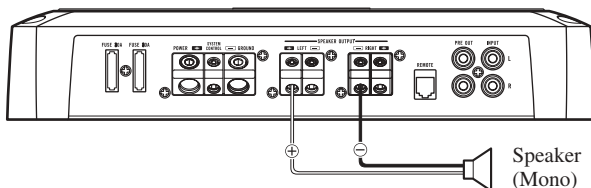
The speaker output mode can be two-channel (stereo) or one-channel (mono). Connect the speaker leads to suit the mode according to the figures shown below.

- Do not connect both the RCA input and the speaker input at the same time.

Two-channel (stereo)



One-channel (mono)



! CAUTION

- Do not install in:
 - Places where it could injure the driver or passengers if the vehicle stops suddenly.
 - Places where it may interfere with the driver, such as on the floor in front of the driver's seat.
- Make sure that wires are not caught in the sliding mechanism of the seats, resulting in a short-circuit.
- Confirm that no parts are behind the panel when drilling a hole for installation of the amplifier. Protect all cables and important equipment such as fuel lines, brake lines and electrical wiring from damage.
- Install tapping screws in such a way that the screw tip does not touch any wire. This is important to prevent wires from being cut by vibration of the car, which can result in fire.
- DO NOT allow amplifier to come into contact with liquids due to, for example, the location where the amplifier is installed. Electrical shock could result. Also, amplifier and speaker damage, smoke, and overheating could result from contact with liquids. In addition, the amplifier surface and the surface of any attached speakers could become hot to the touch and minor burns could result.
- To ensure proper installation, use the supplied parts in the manner specified. If any parts other than the supplied ones are used, they may damage internal parts of the amplifier, or they may become loose causing the amplifier to shut down.
- Never replace the fuse with one of greater value or rating than the original fuse. Use of an improper fuse could result in overheating and smoke and could cause damage to the product and injury including burns.

! CAUTION:

To prevent malfunction and/or injury

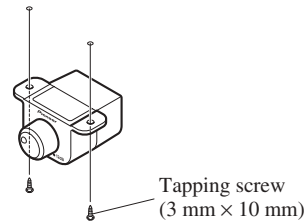
- To ensure proper heat dissipation of the amplifier, be sure of the following during installation.
 - Allow adequate space above the amplifier for proper ventilation.
 - Do not cover the amplifier with a floor mat or carpet.
- DO NOT allow amplifier to come into contact with liquids due to, for example, the location where the amplifier is installed. Electrical shock could result. Also, amplifier and speaker damage, smoke, and overheating could result from contact with liquids. In addition, the amplifier surface and the surface of any attached speakers could

become hot to the touch and minor burns could result.

- Do not install the amplifier on unstable places such as the spare tire board.
- The best location for installation differs with the car model and installation location. Secure the amplifier at a sufficiently rigid location.
- Make temporary connections first and check that the amplifier and the system operate properly.
- After installing the amplifier, confirm that the spare tire, jack and tools can be easily removed.

Attaching the Bass boost remote control

Attach with tapping screws (3 mm × 10 mm) at an easily accessible location such as under the dashboard.

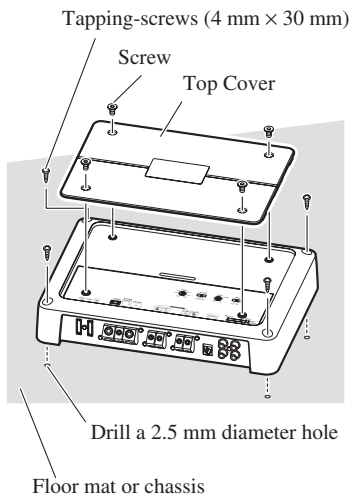


Example of installation on the floor mat or on the chassis

1. Place the amplifier where it is to be installed. Insert the supplied tapping screws (4 mm × 30 mm) into the screw holes. Push on the screws with a screwdriver so they make marks where the installation holes are to be located.
2. Drill 2.5 mm diameter holes at the point marked, and install the amplifier, either on the carpet or directly to the chassis.

Replacing the top cover

1. Align the unit and top cover, and insert the screw.
 - The cover can be installed in the desired direction to match to the amplifier.
2. Tighten the screw with a 4 mm hexagonal wrench.



Specifications

Power source	14.4 V DC (10.8 V to 15.1 V allowable)
Grounding system	Negative type
Current consumption	25 A (at continuous power, 4 Ω)
Average current drawn*	8 A (4 Ω for two channels) 17 A (4 Ω for one channel) 17 A (2 Ω for two channel)
Fuse	30 A \times 2
Dimensions	301 (W) mm \times 57 (H) mm \times 213 (D) mm
Weight	3.4 kg (Leads for wiring not included)
Maximum power output	300 W \times 2 (4 Ω) / 1 200 W \times 1 (4 Ω)
Continuous power output	150 W \times 2 (at 14.4 V, 4 Ω , 20 Hz to 20 kHz 1.0% THD) 600 W \times 1 (at 14.4 V, 4 Ω , 1 kHz 1.0% THD) 300 W \times 2 (at 14.4 V, 2 Ω , 1 kHz 1.0% THD)
Load impedance	4 Ω (2 Ω to 8 Ω allowable)
Frequency response	10 Hz to 50 kHz (+0 dB, -3 dB)
Signal-to-noise ratio	100 dB (IEC-A network)
Distortion	0.005 % (10 W, 1 kHz)
Separation	70 dB (1 kHz) 60 dB (100 Hz to 10 kHz)
Low pass filter	Cut off frequency: 40 Hz to 500 Hz Cut off slope: -12 dB/oct
High pass filter	Cut off frequency: 40 Hz to 500 Hz Cut off slope: -12 dB/oct
Bass boost	Frequency: 50 Hz Level: 0, 6, 9, 12 dB
Gain control	RCA: 400 mV to 6.5 V Speaker: 1.6 V to 26 V
Maximum input level / impedance	RCA: 6.5 V / 22 k Ω Speaker: 26 V / 90 k Ω

Note:

- Specifications and the design are subject to possible modification without notice due to improvements.

*Average current drawn

- The average current drawn is nearly the maximum current drawn by this unit when an audio signal is input. Use this value when working out total current drawn by multiple power amplifiers.

Antes de usar este producto	1
Visite nuestro sitio Web	1
En caso de desperfectos	2
PRECAUCION	2
PRECAUCION	2
ADVERTENCIA	2
Ajuste de esta unidad	3
Indicador de alimentación	3
Cubierta superior	3
Control de refuerzo de graves	3
Interruptor BFC (Control de la frecuencia de batido)	3
Control de frecuencia de corte	4
Interruptor de selección LPF (Filtro de paso bajo)/HPF (Filtro de paso alto)	4
Control de ganancia	4
Interruptor de entrada	4
Configuración apropiada de la ganancia	5
Conexión de la unidad	6
Diagrama de conexión	7
Conexiones de terminales sin soldadura	8
Conexión del terminal de alimentación	8
Conexión del terminal de salida de altavoz	9
Uso de la entrada de altavoz	9
Conexión de los cables de altavoces	10
Instalación	11
Instalación del control remoto de intensificación de los graves	11
Ejemplo de instalación en la alfombra del piso o en el chasis	12
Recolocación de la cubierta superior	12
Especificaciones	13

Muchas gracias por la adquisición de este producto PIONEER. Antes de tratar de operarlo, lea atentamente este manual.



Si desea deshacerse de este producto, no lo mezcle con los residuos generales de su hogar. De conformidad con la legislación vigente, existe un sistema de recogida distinto para los productos electrónicos que requieren un procedimiento adecuado de tratamiento, recuperación y reciclado.

Las viviendas privadas en los estados miembros de la UE, en Suiza y Noruega pueden devolver gratuitamente sus productos electrónicos usados en las instalaciones de recolección previstas o bien en las instalaciones de minoristas (si adquieren un producto similar nuevo). En el caso de los países que no se han mencionado en el párrafo anterior, póngase en contacto con sus autoridades locales a fin de conocer el método de eliminación correcto.

Al actuar siguiendo estas instrucciones, se asegurará de que el producto de desecho se somete a los procesos de tratamiento, recuperación y reciclaje necesarios, con lo que se previenen los efectos negativos potenciales para el entorno y la salud humana.

Visite nuestro sitio Web

Visítenos en el siguiente sitio:

<http://www.pioneer.es>

- Registre su producto. Conservaremos los datos de su compra archivados para que pueda consultar esta información en caso de que deba efectuar un reclamo a la compañía de seguros por pérdida o robo.
- En nuestro sitio Web ofrecemos la información más reciente acerca de Pioneer Corporation.

En caso de desperfectos

Si esta unidad no funciona correctamente, póngase en contacto con su distribuidor o con el Centro de Servicio PIONEER autorizado más cercano.

PRECAUCION

- No reemplace nunca el fusible por uno con un valor de régimen mayor que el fusible original. El uso de un fusible inadecuado podría causar el sobrecalentamiento o humo, así como podría causar daños al producto y lesiones, incluyendo quemaduras.
- Utilice la llave hexagonal suministrada para apretar los tornillos al fijar los hilos a los terminales. El uso de una llave hexagonal larga disponible comercialmente puede causar la aplicación de un par de apriete excesivo, resultando en daños a los terminales y hilos.

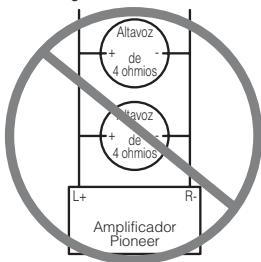
PRECAUCION

Diagrama A - Correcto



Modo de conexión en puente de 4 ohmios

Diagrama B - Incorrecto



Modo de conexión en puente de 2 ohmios

NO instale o use el amplificador Pioneer mediante la conexión de los cables de las bocinas de 4 ohmios nominales (o menos) en paralelo para lograr un modo en puente de 2 ohmios (o menos) (Diagrama B).

Realizar un puente incorrecto podría resultar en un sobrecalentamiento y daño del amplificador, así como en un desprendimiento de humo del mismo. La superficie del amplificador podría también ponerse caliente al tacto y resultar en quemaduras ligeras.

Para instalar o usar adecuadamente el modo de puente para un amplificador de dos canales y lograr una carga de 4 Ω , conecte los cables de dos bocinas de 8 Ω en paralelo con Izquierdo + y Derecho - (Diagrama A), o use una sola bocina de 4 Ω . Para un amplificador de cuatro canales, siga el diagrama de la conexión de salida de la bocina para crear un puente como se

muestra en la parte posterior del amplificador, y conecte los cables de dos bocinas de 8 Ω en paralelo para lograr una carga de 4 Ω o use una sola bocina de 4 Ω por canal.

Si tiene preguntas o dudas, comuníquese con el distribuidor Pioneer autorizado en su localidad o llame al Servicio al Cliente de Pioneer.

ADVERTENCIA

- Se recomienda utilizar el cable de batería rojo especial y el cable de tierra [RD-228], vendidos separadamente. Conecte el cable de batería directamente al terminal positivo de la batería del vehículo (+) y el cable de tierra a la carrocería del vehículo.
- No toque en el amplificador con las manos mojadas. Caso contrario, usted puede llevar un choque eléctrico. Igualmente, no toque en el amplificador cuando esté mojado.
- Para seguridad del tráfico y para mantener condiciones de conducción seguras, mantenga el volumen suficientemente bajo de manera que aun se pueda escuchar el sonido del tráfico normal.
- Verifique las conexiones del suministro de energía y altavoces para ver si el fusible del cable de batería vendido separadamente o el fusible del amplificador se queman. Detecte la causa y solución el problema, y reemplace el fusible con un otro del mismo tamaño y régimen.
- Para evitar mal funcionamiento del amplificador y altavoces, el circuito de protección cortará la alimentación al amplificador (el sonido se detendrá) cuando se produzca una situación anormal. En tal caso, apague el sistema y verifique la conexión de la alimentación y altavoces. Detecte la causa y resuelva el problema.
- Contacte a su distribuidor si no puede detectar la causa.
- Para evitar choques eléctricos o cortocircuitos durante la conexión e instalación, asegúrese de desconectar el terminal negativo (-) de la batería antes de proceder.
- Confirme que ninguna parte quede detrás del panel, cuando perforo un orificio para la instalación del amplificador. Asegúrese de proteger todos los cables y equipos importantes, tales como líneas de combustibles, líneas de frenos y el cableado eléctrico.
- NO permita que el amplificador entre en contacto con líquidos debido a, por ejemplo, la localización donde el amplificador esté instalado. Esto podría causar una sacudida eléctrica. El contacto con líquidos también podría causar daños y sobrecalentamiento al amplificador e altavoces. Además, la superficie del amplificador y la superficie de cualquier altavoz instalado también podrían ponerse muy calientes al tacto, pudiendo causar pequeñas quemaduras.

Ajuste de esta unidad

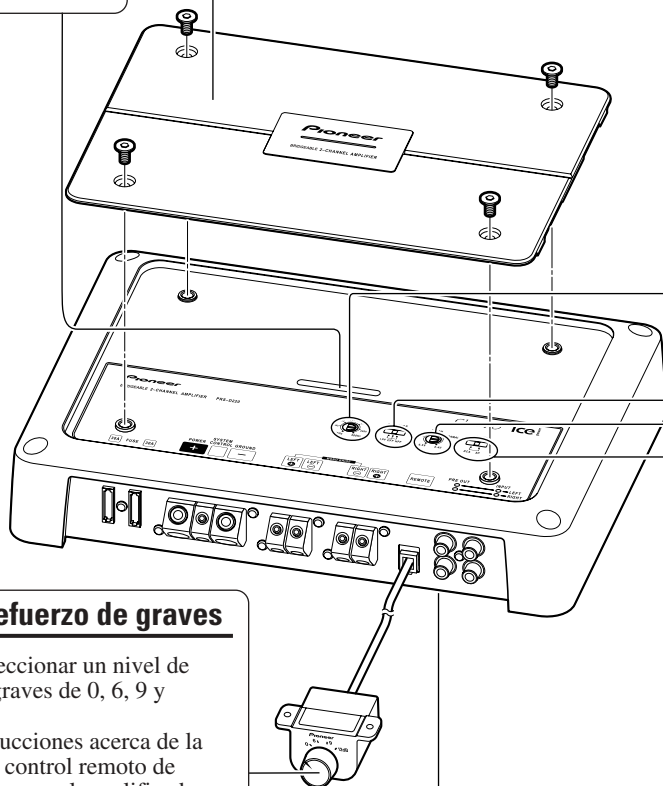
- Utilice un destornillador para ajustar el interruptor, si se requiere.

Indicador de alimentación

El indicador de alimentación se ilumina cuando la unidad se encuentra activada.

Cubierta superior

Antes de montar la unidad, desapriete los tornillos con una llave hexagonal de 4 mm y quite la cubierta superior.



Control de refuerzo de graves

Se puede seleccionar un nivel de refuerzo de graves de 0, 6, 9 y 12 dB.

Para las instrucciones acerca de la conexión del control remoto de refuerzo de graves al amplificador, consulte la sección “Diagrama de conexión”.

Interruptor BFC (Control de la frecuencia de batido)

El interruptor BFC se encuentra en la parte inferior de la unidad. Si se oye un batido durante la escucha de una transmisión MW/LW con el equipo estéreo de automóvil, cambie el interruptor BFC utilizando un destornillador pequeño.

Control de frecuencia de corte

Si se ajusta el interruptor de selección LPF/HPF a LPF o HPF, se puede seleccionar una frecuencia de corte de 40 Hz a 500 Hz.

Interruptor de selección LPF (Filtro de paso bajo)/HPF (Filtro de paso alto)

Ajuste el interruptor de selección LPF/HPF de la manera siguiente, de acuerdo al tipo de altavoz que se encuentra conectado al conector de salida de altavoz y al sistema estéreo de automóvil:

Interruptor de selección LPF/HPF	Gama de frecuencia de audio a ser generada	Tipo de altavoz	Observaciones
LPF (izquierda)	* — 40 Hz a 500 Hz	Altavoz de graves secundario	Conecte a un altavoz de graves secundario.
OFF (central)	Gama completa	Gama completa	
HPF (derecha)	* 40 Hz a 500 Hz —	Gama completa	Utilice si desea cortar la gama de frecuencia* muy baja debido a que no es necesaria para el altavoz que está usando.

* Consulte a “Control de frecuencia de corte”.

Control de ganancia

Si el nivel del sonido está muy bajo, aún cuando se aumenta el volumen del equipo estéreo para automóvil usado con este amplificador de potencia, gire a la derecha el control de ganancia. Si hay distorsión del sonido cuando se aumenta el volumen del equipo estéreo de automóvil, gire los controles a la izquierda.

- Cuando se usa un estéreo de automóvil equipado con RCA (salida estándar de 500 mV), ajuste a la posición NORMAL. Cuando use con un estéreo de automóvil Pioneer equipado con RCA con una salida máxima de 4 V o más, ajuste el nivel para adecuarse al nivel de salida del estéreo del automóvil.
- Si se oye ruido excesivo cuando se usan los terminales de entrada de altavoz, gire el control de nivel a la izquierda.

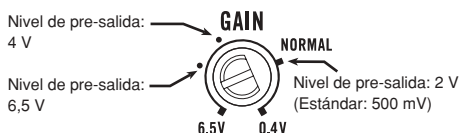
Interruptor de entrada

Es posible introducir desde la salida exterior de un equipo estéreo de automóvil (salida de altavoz de graves secundario) o desde la salida de altavoz de un equipo estéreo de automóvil. Cuando utilice una salida exterior (salida de altavoz de graves secundario), deslice el interruptor hacia la izquierda. Para las instrucciones de instalación, consulte la sección “Diagrama de conexión”. Cuando utilice una salida de altavoz, deslice el interruptor hacia la derecha. En este caso, es necesario utilizar el hilo de entrada de altavoz suministrado con el cable con conector RCA. Para los detalles, consulte la sección “Uso de la entrada de altavoz”.

Configuración apropiada de la ganancia

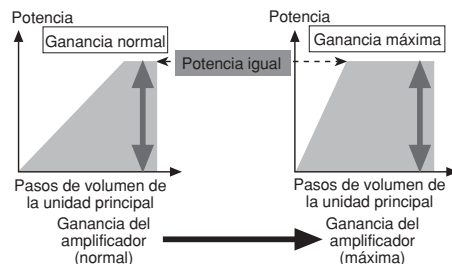
- Esta unidad está equipada con una función de protección para evitar el fallo de funcionamiento de la propia unidad y de los altavoces debido a una salida muy alta, uso inadecuado o conexión incorrecta.
- Al producir el sonido a un volumen alto, etc., esta función cortará la salida del sonido en algunos segundos. Sin embargo, esto no es un fallo de funcionamiento. Al bajar el volumen de la unidad principal, se restaurará la salida del volumen.
- Si se corta la salida del sonido, puede que se ajuste incorrectamente el control de ganancia de esta unidad. Para asegurar la salida continua del sonido al volumen aumentado de la unidad principal, ajuste el control de ganancia del amplificador a una posición adecuada de acuerdo con el nivel de salida máximo de la pre-salida de la unidad principal. No hay necesidad de disminuir el volumen de la unidad principal y se controla una salida muy alta.
- Si disminuye el volumen de la unidad principal y ajusta el control de ganancia del amplificador a una posición adecuada, pero todavía se corta el sonido de vez en cuando, póngase en contacto con la Estación de Servicio PIONEER autorizada más cercana.

Control de ganancia de esta unidad



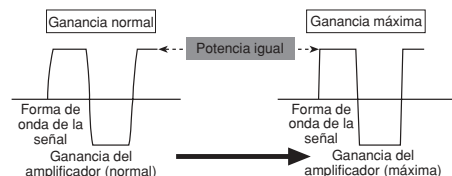
- En la ilustración de arriba se muestra la ganancia ajustada a NORMAL.

Relación entre la ganancia del amplificador y la potencia de salida de la unidad principal



- Si se eleva la ganancia del amplificador a un nivel inadecuado, solamente la distorsión aumenta, mientras la potencia aumenta solamente un poco.

Forma de onda de la señal con la salida de volumen alto por el control de ganancia del amplificador



- Cuando la salida alta de la forma de onda de señal está con distorsión, si se eleva la ganancia del amplificador, la potencia cambia solamente un poco.



PRECAUCION

- Quite el terminal negativo (-) de la batería para evitar riesgo de cortocircuitos y daño a la unidad.
- Asegure el alambrado con abrazaderas de cable o cinta adhesiva. Para proteger el alambrado, envuelva cinta adhesiva alrededor de ellos en donde contacta con partes metálicas.
- No tienda cables por donde puedan calentarse, por ejemplo donde el calentador sople sobre ellos. Si la aislación se calienta, podría resultar dañada, resultando en cortocircuito a través de la carrocería del vehículo.
- Asegúrese que los alambres no interfieran con partes móviles del vehículo como la palanca de cambios, el freno de mano o el mecanismo de deslizamiento de los asientos.
- No corte ningún cable. De otra manera, el circuito de protección podría no funcionar cuando debiera.
- Nunca alimente otro equipo cortando la aislación del cable de alimentación y conectándolo al cable. La capacidad de corriente del cable será excedida, causando sobrecalentamiento.
- No reemplace nunca el fusible por uno con un valor de régimen mayor que el fusible original. El uso de un fusible inadecuado podría causar el sobrecalentamiento o humo, así como podría causar daños al producto y lesiones, incluyendo quemaduras.



PRECAUCION:

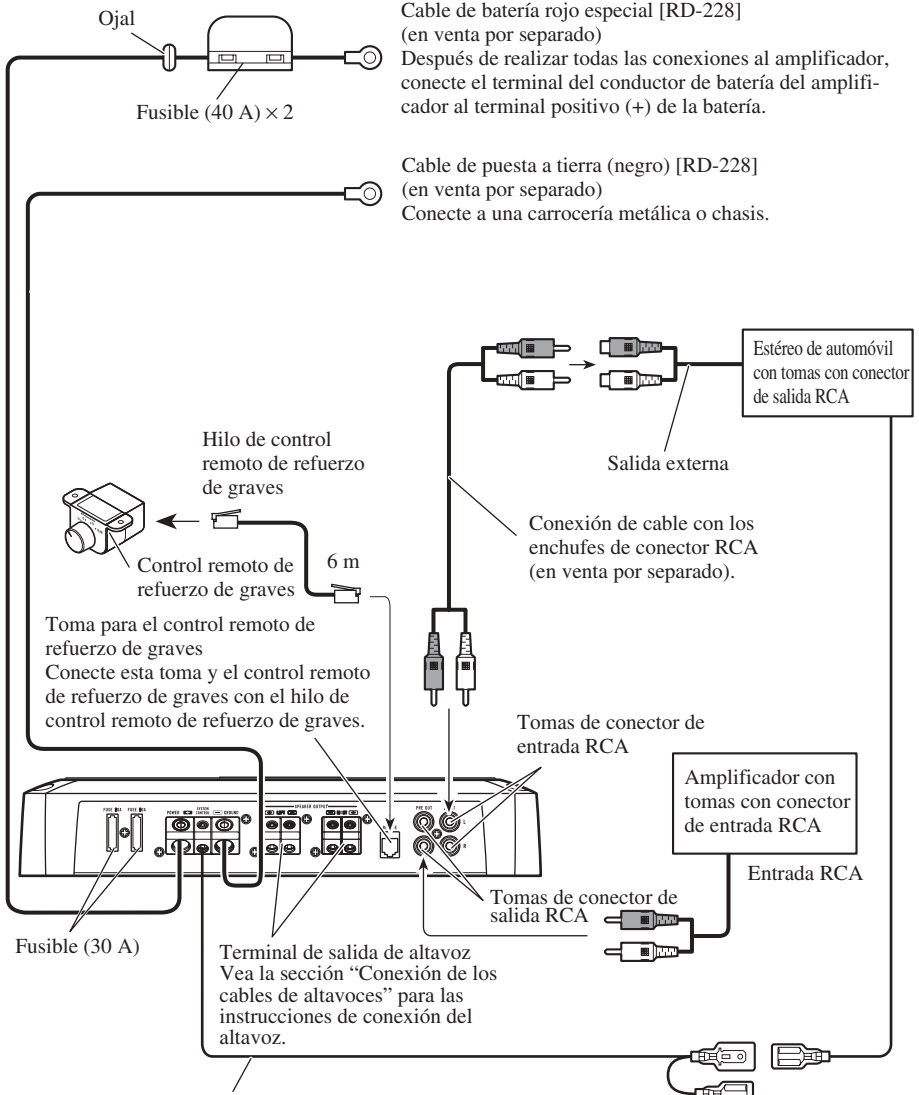
Para evitar daños y/o lesiones

- No conecte a tierra (masa) el cable del altavoz directamente ni conecte un cable negativo (-) a varios altavoces.
- Esta unidad es para vehículos con una batería de 12 voltios y terminal negativo a tierra. Antes de instalar en un vehículo de recreación, camión u ómnibus, verifique el voltaje de la batería.
- Si el sistema estereofónico del coche está funcionando por un largo período de tiempo mientras el motor permanece inactivo o en marcha al ralentí, la batería puede agotarse. Apague el estéreo de automóvil cuando el motor se encuentre funcionando en marcha al ralenté o permanece inactivo.
- Si el cable del control remoto del sistema del amplificador se conecta al terminal de alimentación a través del interruptor de encendido (12 V de CC), el amplificador estará siempre activado cuando el encendido está activado, sin considerar de si el estéreo de automóvil se encuentra activado o desactivado. Debido a esto, la batería puede agotarse si deja el motor funcionando en marcha al ralentí o permanece inactivo.
- Los altavoces a ser conectados al amplificador deben estar conforme con las normas listadas debajo. Si no cumplen con las normas, pueden combustionar, emitir humos o dañarse. La impedancia del altavoz debe ser de 2 a 8 ohmios para conexiones estéreo, y de 4 a 8 ohmios para conexiones monaurales y acoplamientos en derivación.
- Instale y coloque el cable de batería vendido separadamente lo más alejado posible de los cables de los altavoces. Instale y coloque el cable de batería y cable de tierra vendidos separadamente, los cables de los altavoces, y el amplificador lo más alejados posible de la antena, cable de antena y sintonizador.

Canal de altavoces	Tipo de altavoz	Alimentación
Dos canales	Altavoz de graves secundario	Entrada nominal: 150 W mín.
	Diferente a un altavoz de graves secundario	Entrada máxima: 300 W mín.
Uno canal	Altavoz de graves secundario	Entrada nominal: 600 W mín.
	Diferente a un altavoz de graves secundario	Entrada máxima: 1 200 W mín.

Diagrama de conexión

- Este diagrama muestra las conexiones utilizando la salida exterior (salida de altavoz de graves secundario). Deslice el interruptor de entrada hacia la izquierda.
- Cuando conecte con la salida de altavoz, las conexiones difieren de las indicadas en el diagrama. Para los detalles, consulte la sección "Uso de la entrada de altavoz". En cualquier caso, se requiere ajustar el interruptor de entrada. Para los detalles, consulte la sección "Ajuste de esta unidad".



Cable del control remoto del sistema (en venta por separado)

Conecte el terminal macho de este hilo al terminal de control remoto de sistema del equipo estéreo para automóvil (SYSTEM REMOTE CONTROL). El terminal hembra puede ser conectado al terminal de control del relé de antena. Si el estéreo de automóvil no tiene un terminal de control remoto del sistema, conecte el terminal macho al terminal de alimentación a través del interruptor de encendido.

Conexiones de terminales sin soldadura

- No conecte un cable con un hilo expuesto a los terminales de alimentación de este amplificador (terminal POWER, terminal GND, terminal de control remoto de sistema). La desconexión o ruptura del hilo puede causar un incendio o cortocircuito.
- Como el hilo se aflojará con el tiempo, se debe inspeccionar y apretarlo periódicamente como sea necesario.
- No suelde o enlace los extremos de los conductores torcidos.
- Apriete asegurándose de no fijar la vaina de aislamiento del hilo.
- Utilice la llave hexagonal suministrada para apretar y aflojar el tornillo de terminal del amplificador. Fije firmemente el hilo con lo tornillo de terminal. Sin embargo, como el apriete excesivo del tornillo de terminal del mando a distancia de sistema puede dañar el hilo, tenga cuidado en no apretar excesivamente, observando el estado del hilo cuando apriete.

Conexión del terminal de alimentación

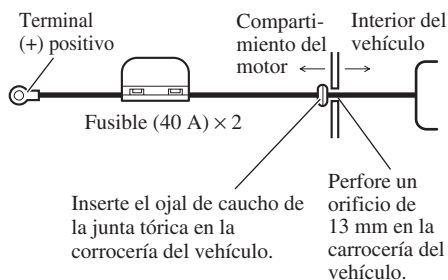
- Se recomienda utilizar el cable de batería rojo especial y el cable de tierra [RD-228], vendidos separadamente. Conecte el cable de batería directamente al terminal positivo de la batería del vehículo (+) y el cable de tierra a la carrocería del vehículo.
- A continuación se indica el tamaño recomendado para los cables (AWG: American Wire Gauge). El cable de batería y el cable de tierra deben ser del mismo tamaño.
- Utilice un hilo de 10 AWG a 20 AWG para el hilo de control remoto del sistema.

Tamaño del cable de batería y cable de puesta a tierra

Longitud del cable	inferior a 4,5 m	inferior a 7,2 m	inferior a 11,4 m
Tamaño del cable	8 AWG	6 AWG	4 AWG

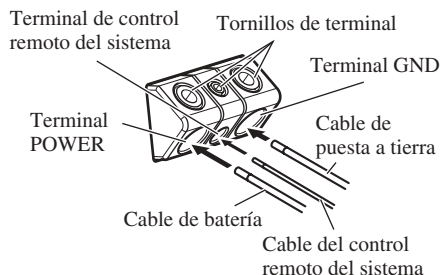
1. Pase el cable de batería desde el compartimiento del motor al interior del vehículo.

- Luego de hacer todas las otras conexiones al amplificador, conecte el terminal del conductor de batería del amplificador al terminal positivo (+) de la batería.



2. Conecte los cables al terminal.

- Fijar los cables firmemente utilizando los tornillos para terminales.



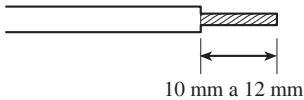
⚠ ADVERTENCIA

Dejar de apretar firmemente el cable de puesta a tierra al terminal usando los tornillos para terminales podría causar el sobrecalentamiento del área de los terminales, así como podría causar daños y lesiones incluyendo pequeñas quemaduras.

Conexión del terminal de salida de altavoz

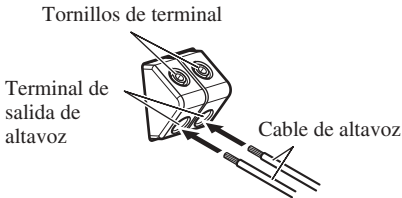
- Utilice un hilo de 10 AWG a 16 AWG para el cable de altavoz.

1. Utilice alicates o un cortador para exponer el extremo de los hilos de altavoz unos 10 mm a 12 mm.



2. Conecte los cables de altavoz al terminal de salida de altavoz.

- Fije los cables firmemente utilizando los tornillos para terminales.

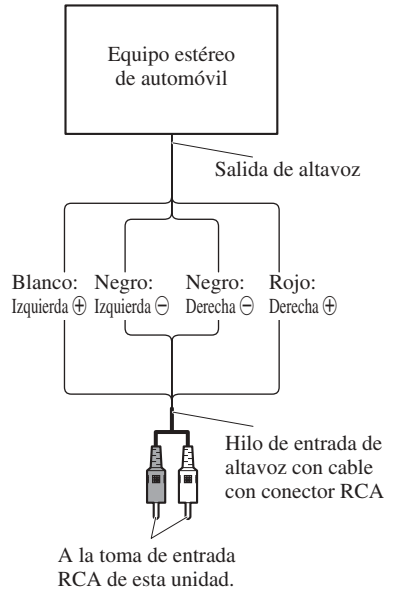


Uso de la entrada de altavoz

Conecte los hilos de salida de altavoz del equipo estéreo de automóvil al amplificador utilizando el hilo de entrada de altavoz suministrado con el cabo con conector RCA.

- Deslice el interruptor de entrada hacia la derecha (SP).

Conexiones cuando se utiliza la entrada de altavoz



- Cuando se conecta el hilo de salida de altavoz del equipo estéreo de automóvil al amplificador, el amplificador se enciende automáticamente cuando se enciende el equipo estéreo de automóvil. En este caso, no es necesario conectar el hilo de control remoto de sistema.
- Si se conecta el amplificador y la unidad principal con un hilo de entrada de altavoz con cable de clavija RCA, sólo se puede encender el amplificador cuando se está utilizando otro amplificador. Si dos o más amplificadores están conectados sincrónicamente en combinación, conecte la unidad principal y todos los amplificadores con el hilo de control remoto de sistema.

Nota:

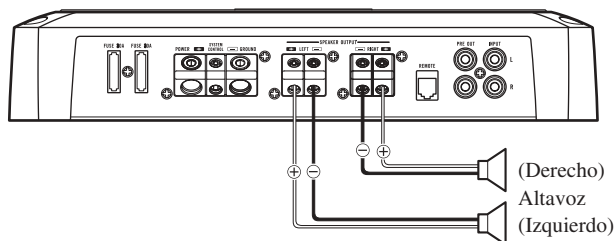
- Conecte el hilo de control remoto de sistema cuando el amplificador no se enciende cuando se enciende el equipo estéreo de automóvil.

Conexión de los cables de altavoces

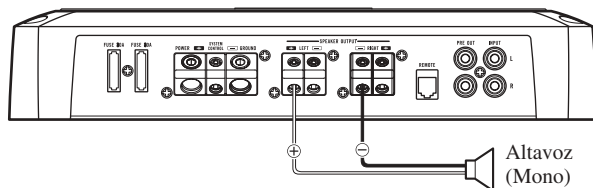
El modo de salida de altavoces puede ser en dos canales (estéreo) o uno canal (mono). Conecte los cables de altavoz para ajustarse al modo según los diagramas mostrados abajo.

- No poder conectar tanto la entrada de RCA y la entrada de altavoz al mismo tiempo.

Dos canales (estéreo)



Uno canal (mono)





PRECAUCION

- No lo instale en:
 - Donde podría lesionar al conductor o a los pasajeros si se detiene el vehículo bruscamente.
 - Donde podría interferir con el conductor, como por ejemplo en el piso en frente al asiento del conductor.
- Asegúrese que los cables no se enganchen en el mecanismo deslizante de los asientos, resultando en cortocircuito.
- Confirme que ninguna parte quede detrás del panel, cuando perforo un orificio para la instalación del amplificador. Asegúrese de proteger todos los cables y equipos importantes, tales como líneas de combustibles, líneas de frenos y el cableado eléctrico.
- Instale los tornillos de conexión de manera tal que la punta del tornillo no toque ningún cable. Esto es importante para evitar que los cables se corten por vibración del automóvil, lo que podría causar un incendio.
- NO permita que el amplificador entre en contacto con líquidos debido a, por ejemplo, la localización donde el amplificador esté instalado. Esto podría causar una sacudida eléctrica. El contacto con líquidos también podría causar daños y sobrecalentamiento al amplificador e altavoces. Además, la superficie del amplificador y la superficie de cualquier altavoz instalado también podrían ponerse muy calientes al tacto, pudiendo causar pequeñas quemaduras.
- Para asegurar una instalación apropiada, utilice las partes suministradas de la manera específica. Si se utiliza cualquier otra parte que no sean las suministradas, puede dañarse las partes internas del amplificador, o pueden aflojarse y el amplificador puede dejar de funcionar.
- No reemplace nunca el fusible por uno con un valor de régimen mayor que el fusible original. El uso de un fusible inadecuado podría causar el sobrecalentamiento o humo, así como podría causar daños al producto y lesiones, incluyendo quemaduras.



PRECAUCION:

Para evitar fallas de funcionamiento y/o lesiones

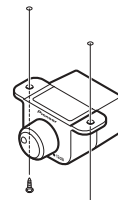
- Para asegurar la disipación de calor apropiada del amplificador, cuide de lo siguiente durante la instalación.
 - Permita un espacio adecuado en la parte superior del amplificador para una ventilación apropiada.
 - No cubra el amplificador con la cubierta de piso o alfombra.
- NO permita que el amplificador entre en contacto con líquidos debido a, por ejemplo, la localización donde el amplificador esté instalado. Esto podría

causar una sacudida eléctrica. El contacto con líquidos también podría causar daños y sobrecalentamiento al amplificador e altavoces. Además, la superficie del amplificador y la superficie de cualquier altavoz instalado también podrían ponerse muy calientes al tacto, pudiendo causar pequeñas quemaduras.

- No instale el amplificador sobre superficies inestables como el tablero del neumático de repuesto.
- La mejor ubicación para la instalación difiere con el modelo del vehículo y localización de instalación. Fije el amplificador en un lugar suficientemente rígido.
- Realice primero conexiones provisionarias y compruebe que el amplificador y el sistema operan adecuadamente.
- Después de instalar el amplificador, compruebe que se puede sacar fácilmente el neumático de repuesto, gato y herramientas.

Instalación del control remoto de intensificación de los graves

Instale con los tornillos autorroscantes (3 mm × 10 mm) en una localización de fácil acceso tal como por debajo del tablero de instrumentos.



Tornillo autorroscante
(3 mm × 10 mm)

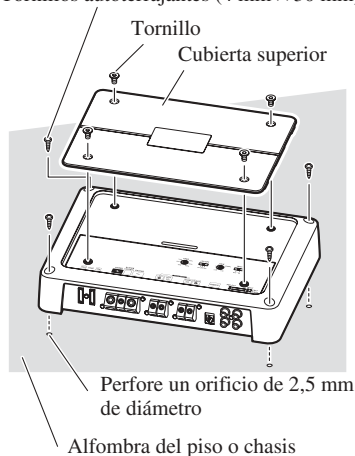
Ejemplo de instalación en la alfombra del piso o en el chasis

1. Ubique el amplificador en la posición en donde va a ser instalado. Inserte los tornillos autoterrajantes suministrados (4 mm × 30 mm) en los orificios de los tornillos. Presione los tornillos con un destornillador de modo que puedan dejar puntos marcados de la posición en donde irán los orificios para la instalación.
2. Perfore orificios de 2,5 mm de diámetro en el punto marcado, e instale el amplificador, ya sea en la alfombra o directamente en el chasis.

Recolocación de la cubierta superior

1. Alinee la unidad y la cubierta superior, e inserte el tornillo.
 - Se puede instalar la cubierta en la dirección deseada para que se ajuste al amplificador.
2. Apriete el tornillo con una llave hexagonal de 4 mm.

Tornillos autoterrajantes (4 mm × 30 mm)



Especificaciones

Alimentación	14,4 V CC (10,8 V a 15,1 V permisible)
Sistema de puesta a tierra	Tipo negativo
Consumo de corriente	25 A (potencia continua, 4 Ω)
Consumo de corriente promedio*	8 A (4 Ω para dos canales) 17 A (4 Ω para uno canal) 17 A (2 Ω para dos canales)
Fusible	30 A × 2
Dimensiones	301 (An) mm × 57 (Al) mm × 213 (Pr) mm
Peso	3,4 kg (No se incluyen los conductores para el cableado)
Potencia de salida máxima	300 W × 2 (4 Ω) / 1 200 W × 1 (4 Ω)
Potencia de salida continua	150 W × 2 (a 14,4 V, 4 Ω, 20 Hz a 20 kHz 1,0% THD) 600 W × 1 (a 14,4 V, 4 Ω, 1 kHz 1,0% THD) 300 W × 2 (a 14,4 V, 2 Ω, 1 kHz 1,0% THD)
Impedancia de carga	4 Ω (2 Ω a 8 Ω permisible) (Acoplamiento en derivación: 4 Ω a 8 Ω permisible)
Respuesta de frecuencia	10 Hz a 50 kHz (+0 dB, -3 dB)
Relación de señal a ruido	100 dB (IEC-Red A)
Distorsión	0,005 % (10 W, 1 kHz)
Separación de canales	70 dB (1 kHz) 60 dB (100 Hz a 10 kHz)
Filtro de paso bajo	Frecuencia de corte: 40 Hz a 500 Hz Pendiente de corte: -12 dB/oct
Filtro de paso alto	Frecuencia de corte: 40 Hz a 500 Hz Pendiente de corte: -12 dB/oct
Refuerzo de graves	Frecuencia: 50 Hz Nivel: 0, 6, 9, 12 dB
Control de ganancia	RCA: 400 mV a 6,5 V Altavoz: 1,6 V a 26 V
Impedancia / nivel de entrada máxima	RCA: 6,5 V / 22 kΩ Altavoz: 26 V / 90 kΩ

Nota:

- Las especificaciones y el diseño están sujetos a posibles modificaciones sin previo aviso debido a mejoramientos.

*Consumo de corriente promedio

- El consumo de corriente promedio es casi el consumo de corriente máximo de esta unidad, cuando se ingresa una señal de audio. Utilice este valor cuando tenga que trabajar con la corriente total consumida por múltiples amplificadores de potencia.

Vor Gebrauch dieses Produkts	1
Unsere Website	1
Im Störfall	1
VORSICHT	2
VORSICHT	2
WARNUNG	2
Einstellen dieses Geräts	3
Stromanzeige	3
Obere Abdeckung	3
Bassverstärkungsregler	3
Interferenzschutzschalter (BFC)	3
Ausschaltfrequenz-Regelung	4
LPF (Tiefpassfilter)/HPF (Hochpassfilter)- Wahlschalter	4
Verstärkungsregelung	4
Eingangsschalter	4
Richtige Einstellung der Verstärkung	5
Anschluss der Einheit	6
Anschlusschema	7
Lötfreie Verbindungen	8
Anschluss der Stromversorgung	8
Anschluss der Lautsprecher-Ausgang- Klemmen	9
Benutzung des Lautsprecher-Eingangs	9
Anschließen der Lautsprecherkabel	10
Einbau	11
Befestigen der Fernbedienung für die Bassverstärkung	11
Beispiel eines Einbaus auf einer Bodenmatte oder auf dem Rahmen	12
Wiederanbringen der oberen Abdeckung	12
Technische Daten	13

Vielen Dank für den Kauf dieses PIONEER Produkts. Diese Bedienungsanleitung vor der Inbetriebnahme sorgfältig durchlesen.



Mischen Sie dieses Produkt, wenn Sie es entsorgen wollen, nicht mit gewöhnlichen Haushaltsabfällen. Es gibt ein getrenntes Sammelsystem für gebrauchte elektronische Produkte, über das die richtige Behandlung, Rückgewinnung und Wiederverwertung gemäß der bestehenden Gesetzgebung gewährleistet wird.

Privathaushalte in den Mitgliedsstaaten der EU, in der Schweiz und in Norwegen können ihre gebrauchten elektronischen Produkte an vorgesehenen Sammeleinrichtungen kostenfrei zurückgeben oder aber an einen Händler zurückgeben (wenn sie ein ähnliches neues Produkt kaufen).

Bitte wenden Sie sich in den Ländern, die oben nicht aufgeführt sind, hinsichtlich der korrekten Verfahrensweise der Entsorgung an die örtliche Kommunalverwaltung. Auf diese Weise stellen Sie sicher, dass das zu entsorgende Produkt der notwendigen Behandlung, Rückgewinnung und Wiederverwertung unterzogen wird, und so mögliche negative Einflüsse auf die Umwelt und die menschliche Gesundheit vermieden werden.

Unsere Website

Besuchen Sie uns auf folgender Website:

<http://www.pioneer.de>

- Registrieren Sie Ihr Produkt. Wir speichern die Detaildaten Ihres Produktkaufs in einer Datei, sodass wir Ihnen diese Informationen bei Verlust oder Diebstahl des Produkts jederzeit für Ihre Versicherung bereitstellen können.
- Auf unserer Website finden Sie die jeweils neuesten Informationen der Pioneer Corporation.

Im Störfall

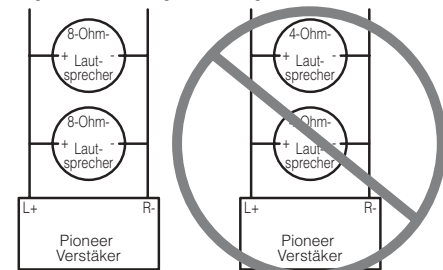
Bei Betriebsstörungen den Händler oder eine PIONEER-Kundendienststelle konsultieren.

VORSICHT

- Ersetzen Sie die Sicherung niemals durch eine mit einem größeren Wert bzw. Nennwert, als die ursprüngliche Sicherung hatte. Der Gebrauch einer falschen Sicherung kann zu Heißblau, Rauchentwicklung, Beschädigung des Produkts, Verbrennungen und anderen Verletzungen führen.
- Verwenden Sie den mitgelieferten Sechskantschlüssel, um die Schrauben festzuziehen, wenn Sie die Drähte an den Klemmen befestigen. Der Gebrauch eines langen, im Fachhandel erhältlichen Sechskantschlüssels kann dazu führen, dass ein übermäßiges Anzugmoment angewandt wird, was zu einer Beschädigung der Klemmen und der Drähte führen kann.

VORSICHT

Diagramm A - Richtig Diagramm B - Falsch



4-Ohm-Überbrückungsmodus

2-Ohm-Überbrückungsmodus

Den Pioneer-Verstärker NICHT mit parallel verdrahteten Lautsprechern mit einem Nennwiderstand von 4 Ohm (oder darunter) einbauen oder verwenden, um einen Überbrückungsmodus von 2 Ohm (oder darunter) zu erzielen (Diagramm B). Falsche Überbrückung kann den Verstärker beschädigen und zu Rauchbildung und Überhitzung führen. Außerdem kann die Oberfläche des Verstärkers heiß werden und beim Anfassen leichte Verbrennungen verursachen. Für den korrekten Einbau oder zur Verwendung eines Überbrückungsmodus für einen Zweikanalverstärker und um eine 4- Ω -Last zu erzielen, verdrahten Sie zwei 8- Ω -Lautsprecher parallel mit links+ und rechts- (Diagramm A), oder verwenden Sie einen einzelnen 4- Ω -Lautsprecher. Halten Sie sich für einen Vierkanalverstärker an das Überbrückungs-Diagramm für den Lautsprecherausgangsanschluss an der Rückseite des Verstärkers und verdrahten Sie zwei 8- Ω -Lautsprecher parallel, um eine 4- Ω -Last zu

erzielen, oder verwenden Sie einen einzelnen 4- Ω -Lautsprecher pro Kanal. Wenden Sie sich bitte mit allen Fragen an den jeweiligen Pioneer-Vertragshändler oder rufen Sie den Pioneer-Kundenservice an.

WARNUNG

- Wir empfehlen, dass Sie das getrennt erhältliche rote Spezial-Batterie- und Massekabel [RD-228] verwenden. Das Batteriekabel direkt an den Pluspol (+) der Wagenbatterie und das Massekabel an Karosseriemasse anschließen.
- Fassen Sie den Verstärker nicht mit nassen Händen an, da Sie anderenfalls einen elektrischen Schlag erleiden können. Berühren Sie den Verstärker auch nicht, wenn dieser nass ist.
- Lassen Sie die Lautstärke so eingestellt, dass Sie beim Fahren noch Verkehrsgeräusche hören können. Es ist gefährlich, ein Fahrzeug zu führen, ohne Verkehrsgeräusche von außen hören zu können.
- Die Anschlüsse der Stromversorgung und der Lautsprecher überprüfen, wenn die Sicherung des getrennt erhältlichen Batteriekabels oder die Verstärker-Sicherung durchbrennt. Machen Sie die Ursache auffindig, beheben Sie die Störung, und ersetzen Sie die Sicherung dann durch eine andere mit derselben Größe und demselben Nennwert.
- Zur Vermeidung von Schäden am Verstärker und den Lautsprechern unterbricht eine Schutzschaltung automatisch die Stromversorgung zum Verstärker (der Klang setzt aus), sobald ein anomaler Betriebszustand eintritt. Stellen Sie den Betriebsschalter in diesem Fall auf OFF, und überprüfen Sie die Stromversorgungs- und Lautsprecheranschlüsse. Ermitteln Sie die Ursache des Problems und schaffen Sie umgehend Abhilfe.
- Wenden Sie sich bitte an Ihren Fachhändler, falls sich die Ursache der Störung nicht klären lässt.
- Trennen Sie zur Vermeidung von elektrischen Schlägen und Kurzschlüssen bei der Inbetriebnahme des Gerätes vorher unbedingt das Anschlusskabel vom negativen (-) Batteriepol ab.
- Überzeugen Sie sich, dass sich keine Teile hinter der Konsole befinden, wenn Sie ein Loch zum Einbau des Verstärkers bohren. Achten Sie darauf, dass alle Kabel und wichtigen Teile wie Benzin- und Bremsleitungen und die elektrischen Kabelbäume geschützt sind.
- ACHTEN Sie darauf, dass der Verstärker NICHT mit Flüssigkeiten in Berührung kommen kann, zum Beispiel wegen eines ungünstigen Einbauplatzes. Ein elektrischer Schlag könnte die Folge sein. Berührung mit Flüssigkeiten kann auch zu einer Beschädigung von Verstärker und Lautsprechern, sowie zu Rauchbildung und Überhitzung führen. Außerdem können Oberflächen von Verstärker und jeglicher angebrachter Lautsprecher heiß werden, sodass bei Berührung kleinere Verbrennungen verursacht werden könnten.

Ausschaltfrequenz-Regelung

Wenn der LPF/HPF-Wahlschalter auf LPF oder HPF gestellt ist, kann eine Ausschaltfrequenz zwischen 40 Hz und 500 Hz gewählt werden.

LPF (Tiefpassfilter)/HPF (Hochpassfilter)-Wahlschalter

Stellen Sie den LPF/HPF-Wahlschalter wie in folgendem Diagramm beschrieben ein, in Abhängigkeit von dem Lautsprechertyp der am Lautsprecher-Ausgangsanschluss und dem Fahrzeugstereo-System vorhanden ist:

LPF/HPF- Wahlschalter	Auszugebender Audio-Frequenz-Bereich	Lautsprecher-Typ	Bemerkungen
LPF (Links)	* — 40 Hz bis 500 Hz	Subwoofer	Schließen Sie einen Subwoofer an.
OFF (Mitte)	Vollbereich	Vollbereich	
HPF (Rechts)	* 40 Hz bis 500 Hz —	Vollbereich	Wenn Sie die sehr niedrigen Frequenzen* ausschalten wollen, da diese für Ihre Lautsprecher nicht notwendig sind.

* Siehe Abschnitt "Ausschaltfrequenz-Regelung".

Verstärkungsregelung

Wenn die Lautstärke zu schwach ist, selbst wenn der Lautstärkereglер der zusammen mit diesem Leistungsverstärker verwendeten Auto-Stereo-Anlage aufgedreht wird, drehen Sie den Verstärkungsregler im Uhrzeigersinn. Falls Klangverzerrungen auftreten, wenn die Lautstärke aufgedreht wird, drehen Sie den Verstärkungsregler im Gegenuhrzeigersinn.

- Bei Gebrauch mit einer mit RCA ausgestatteten Auto-Stereoanlage (Standard-Ausgang 500 mV) auf die Position NORMAL einstellen. Bei Gebrauch mit einer mit RCA ausgestatteten Pioneer-Auto-Stereoanlage mit einem maximalen Ausgang von 4 V oder mehr den Pegel dem Auto-Stereoanlagen-Ausgangspegel anpassen.
- Falls bei Gebrauch der Lautsprecher-Eingangsbuchsen zu starke Störungen auftreten, den Verstärkungsregler im Gegenuhrzeigersinn drehen.

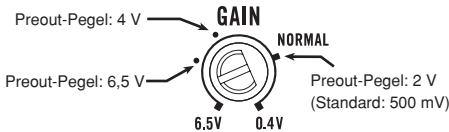
Eingangsschalter

Eingang von einem externen Auto-Stereo-Ausgang (Subwoofer-Ausgang) oder einem Auto-Stereo-Lautsprecher-Ausgang ist möglich. Zur Verwendung eines externen Ausganges (Subwoofer-Ausgang) legen Sie den Schalter nach links. Bezüglich Anschlussanweisungen siehe Abschnitt "Anschlusschema". Zur Verwendung eines Lautsprecher-Ausganges legen Sie den Schalter nach rechts. In diesem Fall muss das mitgelieferte Lautsprecher-Eingangskabel mit RCA-Stiftkabel verwendet werden. Genaueres hierzu finden Sie im Abschnitt "Benutzung des Lautsprecher-Eingangs".

Richtige Einstellung der Verstärkung

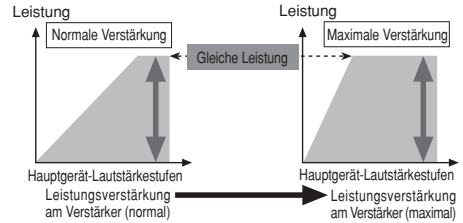
- Dieses Gerät ist mit einer Schutzfunktion ausgestattet, die eine Betriebsstörung des Geräts selbst und eine Beeinträchtigung der Lautsprecher wegen zu hoher Ausgangsleistung, inkorrekten Gebrauchs oder fehlerhaften Anschlusses verhindert.
- Bei Ausgabe von Tonsignalen mit hoher Lautstärke z.B. schaltet diese Funktion die Klangwiedergabe nach einigen Sekunden ab. Dies ist kein Anzeichen für eine Funktionsstörung. Die Klangwiedergabe normalisiert sich, sobald die Lautstärke am Hauptgerät reduziert wird.
- Wenn die Klangwiedergabe unterbrochen wird, könnte der Verstärkungsregler dieses Geräts falsch eingestellt sein. Um fortwährende Klangwiedergabe bei höherer Lautstärke-Einstellung am Hauptgerät zu gewährleisten, stellen Sie den Verstärkungsregler des Verstärkers auf eine dem maximalen Preout-Ausgangspegel des Hauptgeräts entsprechende Position ein. Die Lautstärke muss am Hauptgerät nicht reduziert werden, übermäßige Ausgänge werden kontrolliert.
- Wenn auch nach Verminderung der Lautstärke am Hauptgerät und korrekter Einstellung des Verstärkungsreglers am Verstärker noch ab und zu Tonaussetzer auftreten, wenden Sie sich bitte an eine autorisierte PIONEER Kundendienststelle in Ihrer Nähe.

Verstärkungsregler dieses Geräts



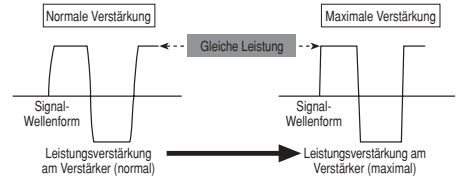
- Die obige Abbildung die auf NORMAL eingestellte Verstärkung.

Beziehung zwischen Leistungsverstärkung des Verstärkers und Ausgangsleistung des Hauptgeräts



- Wenn die Leistungsverstärkung am Verstärker unangemessen erhöht wird, treten mehr Verzerrungen auf, während die Leistung nur in geringem Maße gesteigert wird.

Signal-Wellenform bei Klangwiedergabe mit hoher Lautstärke durch Verstärkungsregler am Verstärker



- Bei hohem Ausgang wird die Signal-Wellenform verzerrt, wenn die Leistungsverstärkung des Verstärkers erhöht wird, während die Leistung sich nur geringfügig ändert.

VORSICHT

- Trennen Sie das Batterieanschlusskabel vom negativen (-) Batteriepol, um Kurzschlüsse und Schäden am Gerät zu vermeiden.
- Befestigen Sie die Kabel mit Kabelklemmen oder Klebeband. Kabel, die Kontakt mit Metallteilen haben, sollten an den betreffenden Stellen mit Klebeband isoliert werden.
- Vermeiden Sie beim Verlegen der Kabel Plätze, an denen die Kabel Wärmeeinwirkung ausgesetzt sind, wie z.B. in der Nähe der Heizung. Derartige Wärmeeinwirkung kann zu einer Beschädigung der Kabelisolierung und schließlich zu Kurzschlüssen über die Fahrzeugkarosserie führen.
- Achten Sie darauf, dass keines der Kabel bewegliche Fahrzeugteile, wie z.B. den Schalthebel, die Handbremse oder den Sitzverstellhebel, behindert.
- Kürzen Sie die Kabel nicht. Gekürzte Kabel können einen Ausfall der Schutzschaltung verursachen.
- Leiten Sie niemals Strom an andere Geräte, indem Sie die Isolierung des Spannungsversorgungskabels dieses Gerätes freilegen und anzupfen. Die hieraus resultierende Überschreitung der Spannungsbelastungskapazität des Kabels hat Überhitzung zur Folge.
- Ersetzen Sie die Sicherung niemals durch eine mit einem größeren Wert bzw. Nennwert, als die ursprüngliche Sicherung hatte. Der Gebrauch einer falschen Sicherung kann zu Heißlauf, Rauchentwicklung, Beschädigung des Produkts, Verbrennungen und anderen Verletzungen führen.

VORSICHT:

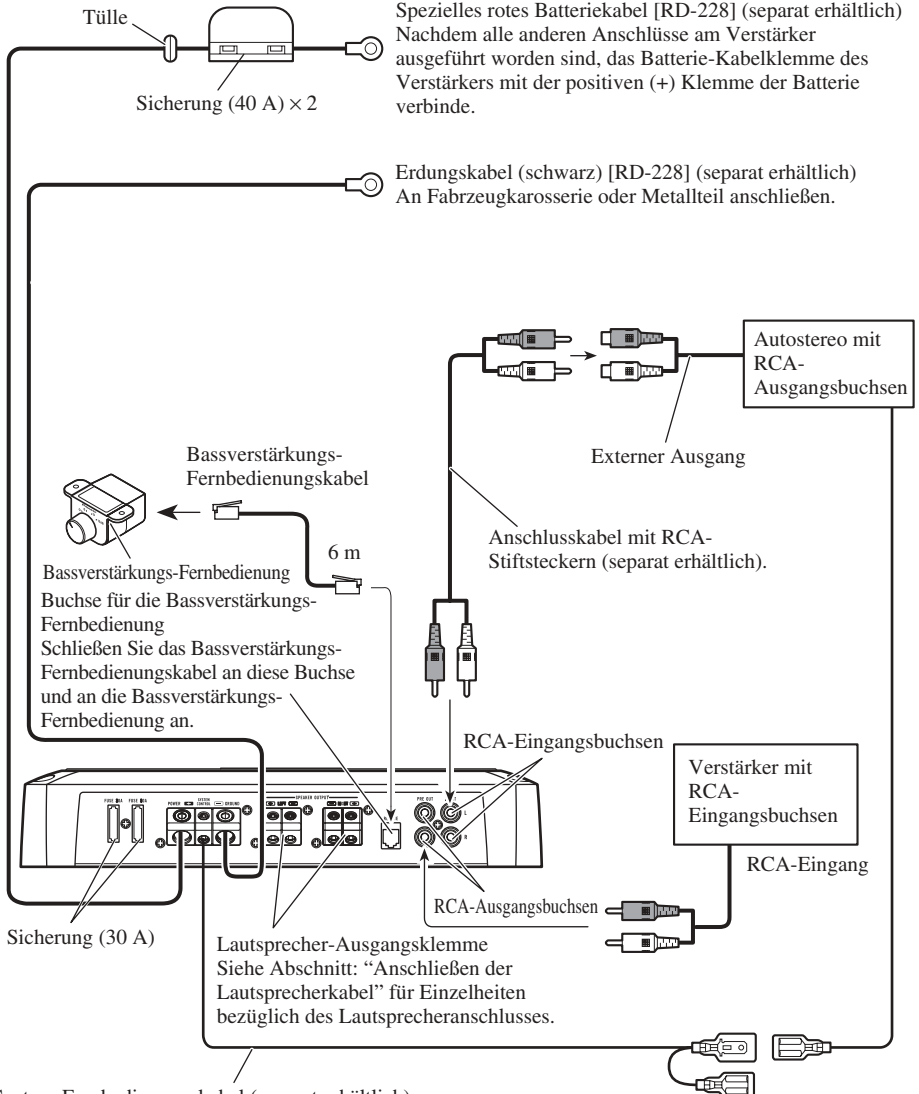
Zur Vermeidung von Schäden und/oder Verletzungen

- Keinesfalls das Lautsprecherkabel direkt erden oder einen negativen Anschluss (-) für mehrere Lautsprecher gleichzeitig anschließen.
- Dieses Gerät ist für Fahrzeuge mit einer 12 Volt Batterie und negativer Erdung bestimmt. Vor dem Einbau in ein Freizeitfahrzeug, Laster oder Bus, die Spannung der Batterie überprüfen.
- Wenn die Autostereoanlage längere Zeit eingeschaltet bleibt, während der Motor nicht oder nur im Leerlauf läuft, so könnte dies zu einer Entladung der Batterie führen. Schalten Sie Ihr Stereogerät aus, wenn der Motor im Leerlauf oder im Stillstand ist.
- Sollte die System-Fernbedienungskabel des Verstärkers am Stromanschluss über den Zündungsschalter angeschlossen sein (12 V Gleichspannung), so ist der Verstärker immer eingeschaltet, wenn die Zündung eingeschaltet wird, unabhängig davon, ob das Stereogerät ein- oder ausgeschaltet ist. In diesem Fall könnte es zu einer Entladung der Batterie kommen, wenn der Motor im Stillstand oder im Leerlauf betrieben wird.
- Die mit dem Verstärker geschalteten Lautsprecher sollten folgenden Kriterien entsprechen. Sonst könnten sie in Brand geraten, Qualm abgeben oder beschädigt werden. Die Impedanz der Lautsprecher muss bei der Stereoschaltung zwischen 2 und 8 Ohm sein, bei der Monaural- und anderen Brückenschaltung zwischen 4 und 8 Ohm.
- Das getrennt erhältliche Batteriekabel installieren und möglichst weit von den Lautsprecherkabeln entfernt verlegen. Getrennt erhältliches Batteriekabel, Massekabel, Lautsprecherkabel und Verstärker möglichst weit von Antenne, Antennenkabel und Tuner entfernt installieren/verlegen.

Lautsprecherkanal	Lautsprechertyp	Stromversorgung
Zwei-Kanal	Subwoofer	Nominaler Eingang: Min. 150 W
	Andere als Subwoofer	Max. Eingang: Min. 300 W
Ein-Kanal	Subwoofer	Nominaler Eingang: Min. 600 W
	Andere als Subwoofer	Max. Eingang: Min. 1 200 W

Anschlusschema

- Dieses Schema zeigt die Anschlüsse für externen Ausgang (Subwoofer-Ausgang). Legen Sie den Eingangsschalter nach links.
- Bei Verbindung mit Lautsprecher-Ausgang unterscheiden sich die Anschlüsse von denen dieses Schemas. Genaueres hierzu finden Sie im Abschnitt "Benutzung des Lautsprecher-Eingangs". Der Eingangsschalter muss in jedem Fall eingestellt werden. Genaueres hierzu finden Sie im Abschnitt "Einstellen dieses Geräts".



Spezielles rotes Batteriekabel [RD-228] (separat erhältlich)
Nachdem alle anderen Anschlüsse am Verstärker ausgeführt worden sind, das Batterie-Kabelklemme des Verstärkers mit der positiven (+) Klemme der Batterie verbinde.

Erdungskabel (schwarz) [RD-228] (separat erhältlich)
An Fahrzeugkarosserie oder Metallteil anschließen.

Bassverstärkungs-Fernbedienungskabel
6 m
Bassverstärkungs-Fernbedienung
Buchse für die Bassverstärkungs-Fernbedienung
Schließen Sie das Bassverstärkungs-Fernbedienungskabel an diese Buchse und an die Bassverstärkungs-Fernbedienung an.

Sicherung (30 A)

Lautsprecher-Ausgangsklemme
Siehe Abschnitt: "Anschließen der Lautsprecherkabel" für Einzelheiten bezüglich des Lautsprecheranschlusses.

System-Fernbedienungskabel (separat erhältlich)

Den Stecker dieses Kabels an die System-Fernbedienungsbuchse der Auto-Stereoanlage anschließen (SYSTEM REMOTE CONTROL). Die Buchse kann am Auto-Antennen-Relais-Anschluss angeschlossen werden. Sollte die Stereoanlage nicht über einen Fernbedienung-System-Regler-Anschluss verfügen, schließen Sie das Steckteil am Stromanschluss des Zündschalters an.

Lötfreie Verbindungen

- Schließen Sie kein Kabel mit einer freiliegenden Kernader an die Stromklemmen dieses Verstärkers an (Stromversorgung, GND-Anschluss, System-Fernbedienungsanschluss). Ein Abtrennen oder Zerreißen der Kernader kann zu einem Brand oder Kurzschluss führen.
- Da sich der Draht mit der Zeit lockert, muss er regelmäßig überprüft und, falls erforderlich, festgezogen werden.
- Löten oder binden Sie die Enden der verdrehten Leiter nicht.
- Achten Sie beim Befestigen darauf, den Schutzmantel des Leiters nicht festzuklemmen.
- Verwenden Sie den mitgelieferten Inbusschlüssel, um die Klemmschrauben des Verstärkers zu lockern und festzuziehen. Sichern Sie den Draht immer richtig mit den Anschlusschrauben. Da ein zu starkes Festziehen der Anschlusschrauben der System-Fernbedienung jedoch zu einer Beschädigung des Leiters führen kann, achten Sie darauf, die Schrauben nicht zu stark festzuziehen, indem Sie beim Festziehen auf den Zustand des Leiters achten.

Anschluss der Stromversorgung

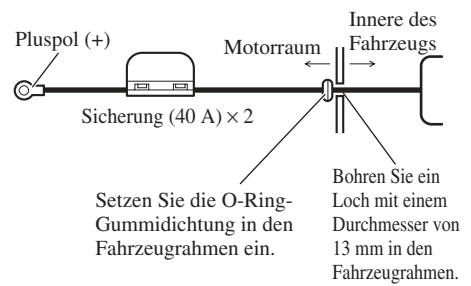
- Wir empfehlen, dass Sie das getrennt erhältliche rote Spezial-Batterie- und Massekabel [RD-228] verwenden. Das Batterie­kabel direkt an den Pluspol (+) der Wagen­batterie und das Massekabel an Karosseriemasse anschließen.
- Die empfohlene Drahtgröße (AWG: American Wire Gauge) ist wie folgt. Batterie­kabel und Massekabel müssen dieselbe Stärke haben.
- Verwenden Sie einen Draht von 10 AWG bis 20 AWG für das Fernbedienungs­kabel des Systems.

Batterie­kabel und Massekabel-Drahtstärke

Kabellänge	kürzer als 4,5 m	kürzer als 7,2 m	kürzer als 11,4 m
Drahtstärke	8 AWG	6 AWG	4 AWG

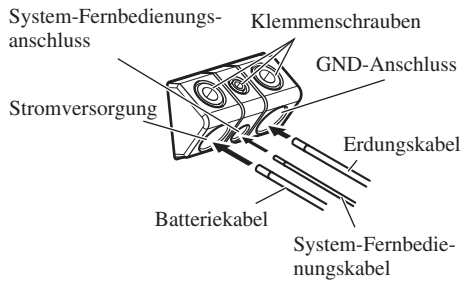
1. Führen Sie das Batterie­kabel vom Motorraum in den Fahrgastraum.

- Nachdem alle Verkabelungen am Verstärker ausgeführt worden sind, verbinden Sie die Batterie-Kabelklemme des Verstärkers mit der positiven (+) Klemme der Batterie.



2. Die Drähte an die Klemme anschließen.

- Befestigen Sie die Drähte sicher mit den Klemmschrauben.



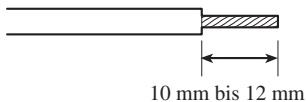
! WARNUNG

Wenn das Batterie­kabel mit den Klemmschrauben nicht richtig befestigt wird, kann der Klemmenbereich heiß werden, wodurch Schäden und Verletzungen, wie Verbrennungen, verursacht werden können.

Anschluss der Lautsprecher-Ausgang-Klemmen

- Verwenden Sie einen Draht von 10 AWG bis 16 AWG für die Lautsprecherkabel.

1. Entfernen Sie den Mantel an den Enden der Lautsprecherkabel um ca. 10 mm bis 12 mm mit einer Kneifzange oder einem Schneider.

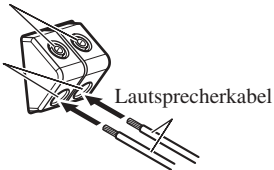


2. Schließen Sie die Lautsprecherkabel an die Lautsprecherausgangsklemmen an.

- Die Lautsprecherdrähte fest mit den Klemmschrauben befestigen.

Klemmschrauben

Lautsprecher-Ausgangsklemme

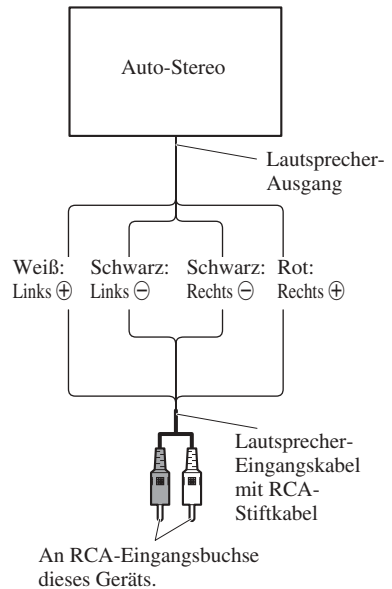


Benutzung des Lautsprecher-Eingangs

Schließen Sie die Auto-Stereo-Lautsprecher-Ausgangskabel mithilfe des mitgelieferten Lautsprecher-Eingangskabels mit RCA-Stiftkabel an den Verstärker an.

- Legen Sie den Eingangsschalter nach rechts (SP).

Anschlüsse bei Benutzung des Lautsprecher-Eingangs



- Bei Anschluss des Auto-Stereo-Lautsprecher-Ausgangskabels am Verstärker wird dieser automatisch eingeschaltet, wenn die Auto-Stereoanlage eingeschaltet wird. In diesem Fall erübrigt sich der Anschluss des System-Fernbedienungskabels.
- Falls Verstärker und Hauptgerät mit einem Lautsprechereingangskabel mit RCA-Stiftkabel verbunden sind, wird der Verstärkerstrom nur dann eingeschaltet, wenn ein Verstärker verwendet wird. Bei Synchronverbindung von Verstärkern, zwei oder mehr kombiniert, schließen Sie das Hauptgerät und alle Verstärker mit dem Systemfernbedienungskabel an.

Hinweis:

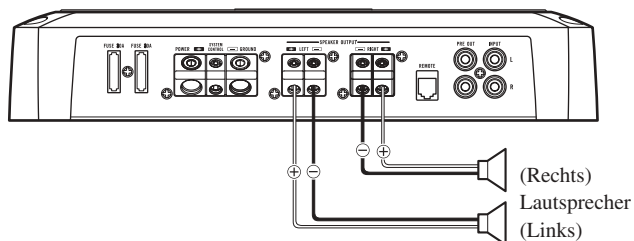
- Schließen Sie das System-Fernbedienungskabel an, wenn der Verstärker nicht automatisch mit der Auto-Stereoanlage eingeschaltet wird.

Anschließen der Lautsprecherkabel

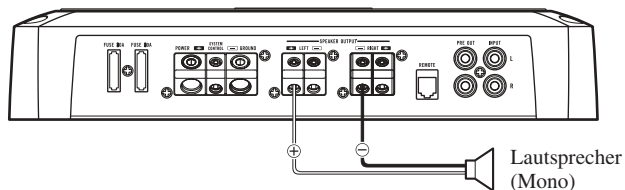
Die Lautsprecherausgang-Betriebsart kann Zwei-Kanal (Stereo) oder Ein-Kanal (Mono) sein. Schließen Sie die Lautsprecherkabel an, um der Tonart anzupassen, gemäß folgenden Bildern.

- So darf man das RCA-Input und das Input vom Lautsprecher nicht zur gleichen Zeit anschliessen.

Zwei-Kanal (Stereo)



Ein-Kanal (Mono)



! VORSICHT

- Keinesfalls an Orten einbauen:
 - Plätze, an denen sich der Fahrer oder die Fahrzeuginsassen bei plötzlichem Abbremsen am Gerät verletzen könnten.
 - Plätze, an denen das Gerät den Fahrer behindern könnte, wie z.B. auf dem Boden vor der Fahrersitz.
- Achten Sie darauf, dass sich die Anschlusskabel nicht im Schiebemechanismus der Sitze verklemmen und auf diese Weise einen Kurzschluss verursachen.
- Bestätigen Sie vor dem Bohren, dass sich hinter der Konsole keine Teile befinden, die nicht beschädigt werden dürfen. Schützen Sie alle Kabel und wichtigen Teile wie Benzinleitungen und Bremsleitungen und elektrischen Leitungen vor Schäden.
- Bringen Sie Schneidschrauben so an, dass die Schraubenspitze keines der Kabel berührt. Andernfalls können die Kabel durch die Vibrationen des Fahrzeugs beschädigt werden und Brände verursachen.
- **ACHTEN** Sie darauf, dass der Verstärker **NICHT** mit Flüssigkeiten in Berührung kommen kann, zum Beispiel wegen eines ungünstigen Einbauplatzes. Ein elektrischer Schlag könnte die Folge sein. Berührung mit Flüssigkeiten kann auch zu einer Beschädigung von Verstärker und Lautsprechern, sowie zu Rauchbildung und Überhitzung führen. Außerdem können Oberflächen von Verstärker und jeglicher angebrachter Lautsprecher heiß werden, sodass bei Berührung kleinere Verbrennungen verursacht werden könnten.
- Um einen ordnungsgemäßen Einbau zu gewährleisten, verwenden Sie die mitgelieferten Teile wie spezifiziert. Falls andere Teile außer den spezifizierten verwendet werden, so könnten innere Teile des Verstärkers beschädigt werden oder diese könnten sich lösen, und der Verstärker sich ausschalten.
- Ersetzen Sie die Sicherung niemals durch eine mit einem größeren Wert bzw. Nennwert, als die ursprüngliche Sicherung hatte. Der Gebrauch einer falschen Sicherung kann zu Heißlauf, Rauchentwicklung, Beschädigung des Produkts, Verbrennungen und anderen Verletzungen führen.

! VORSICHT:

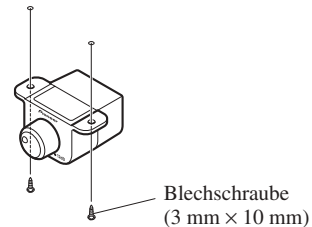
Zur Vermeidung von Funktionsstörungen und/oder Verletzungen

- Beachten Sie zur Gewährleistung ausreichender Wärmeableitung beim Einbau die folgende Punkte.
 - Lassen Sie genügend Freiraum über dem Verstärker, damit richtige Ventilation gewährleistet ist.
 - Decken Sie den Verstärker nicht mit einer Bodenmatte oder einem Teppich ab.
- **ACHTEN** Sie darauf, dass der Verstärker **NICHT** mit Flüssigkeiten in Berührung kommen kann, zum Beispiel wegen eines ungünstigen Einbauplatzes. Ein elektrischer Schlag könnte die Folge sein.

- Berührung mit Flüssigkeiten kann auch zu einer Beschädigung von Verstärker und Lautsprechern, sowie zu Rauchbildung und Überhitzung führen. Außerdem können Oberflächen von Verstärker und jeglicher angebrachter Lautsprecher heiß werden, sodass bei Berührung kleinere Verbrennungen verursacht werden könnten.
- Bauen Sie den Verstärker nicht an instabilen Plätzen ein, wie z.B. auf dem Ersatzreifenhalter.
 - Die beste Einbauposition ist je nach Autotyp unterschiedlich. Befestigen Sie den Verstärker an einem sicheren Platz.
 - Führen Sie vorübergehende Anschlüsse zuerst durch, und stellen Sie sicher, dass der Verstärker und das System sicher funktionieren.
 - Achten Sie nach dem Einbau des Verstärkers darauf, dass Ersatzreifen, Wagenheber und Werkzeuge noch leicht zugänglich sind.

Befestigen der Fernbedienung für die Bassverstärkung

Befestigen Sie die beiden Blechschrauben (3 mm × 10 mm) an einem leicht zugänglichen Ort, beispielsweise unter dem Armaturenbrett.

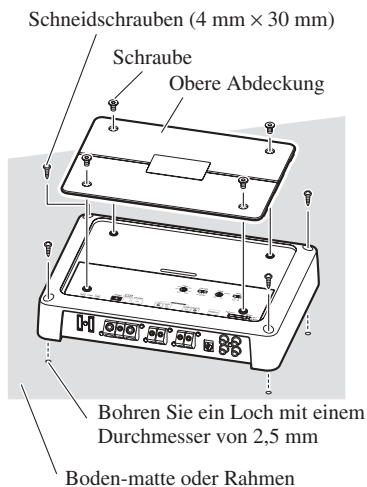


Beispiel eines Einbaus auf einer Bodenmatte oder auf dem Rahmen

1. Legen Sie den Verstärker auf die Stelle, an welcher dieser eingebaut werden soll. Setzen Sie die mitgelieferten Schneidschrauben (4 mm × 30 mm) in die Schraubenlöcher ein. Drücken Sie die Schrauben mit einem Schraubenzieher, sodass diese Markierungen hinterlassen, wo diese eingesetzt werden sollen.
2. Bohren Sie Löcher mit einem Durchmesser von 2,5 mm an den zuvor markierten Punkten, und bringen Sie den Verstärker an, entweder direkt am Teppich oder am Rahmen.

Wiederanbringen der oberen Abdeckung

1. Richten Sie die obere Abdeckung auf das Gerät aus, und setzen Sie die Schraube ein.
 - Die Abdeckung kann in der gewünschten Richtung installiert werden, je nach der Ausrichtung des Verstärkers.
2. Ziehen Sie die Schraube mit einem 4-mm-Sechskantschlüssel fest.



Stromversorgung	14,4 V Gleichspannung (Toleranz 10,8 V bis 15,1 V)
Erdungssystem	Negativ
Leistungsaufnahme	25 A (bei gleichbleibendem Strom, 4 Ω)
Durchschnittliche Stromentnahme*	8 A (4 Ω für Zwei-Kanal) 17 A (4 Ω für Ein-Kanal) 17 A (2 Ω für Zwei-Kanal)
Sicherung	30 A \times 2
Abmessungen	301 (B) mm \times 57 (H) mm \times 213 (T) mm
Gewicht	3,4 kg (Kabel nicht eingeschlossen)
Max. Ausgangsleistung	300 W \times 2 (4 Ω) / 1 200 W \times 1 (4 Ω)
Dauerausgangsleistung	150 W \times 2 (bei 14,4 V, 4 Ω , 20 Hz bis 20 kHz 1,0% THD) 600 W \times 1 (bei 14,4 V, 4 Ω , 1 kHz 1,0% THD) 300 W \times 2 (bei 14,4 V, 2 Ω , 1 kHz 1,0% THD)
Verbraucher-Impedanz	4 Ω (2 Ω bis 8 Ω zulässig) (Brückenverbindung: 4 Ω bis 8 Ω zulässig)
Frequenzgang	10 Hz bis 50 kHz (+0 dB, -3 dB)
Signalrauschabstand	100 dB (IEC-A-Netz)
Verzerrungen	0,005 % (10 W, 1 kHz)
Kanaltrennung	70 dB (1 kHz) 60 dB (100 Hz bis 10 kHz)
Tiefpassfilter	Trennfrequenz: 40 Hz bis 500 Hz Trennkurve: -12 dB/oct
Hochpassfilter	Trennfrequenz: 40 Hz bis 500 Hz Trennkurve: -12 dB/oct
Bassverstärkung	Frequenz: 50 Hz Pegel: 0, 6, 9, 12 dB
Verstärkungsregelung	RCA: 400 mV bis 6,5 V Lautsprecher: 1,6 V bis 26 V
Max. Eingangsstufe / Impedanz	RCA: 6,5 V / 22 k Ω Lautsprecher: 26 V / 90 k Ω

Hinweis:

- Änderungen der technischen Daten und des Designs jederzeit vorbehalten.

*Durchschnittliche Stromentnahme

- Die durchschnittliche Stromentnahme entspricht fast der maximalen Stromentnahme dieses Gerätes, wenn ein Audiosignal eingegeben wird. Verwenden Sie diesen Wert, wenn Sie die Gesamtstromentnahmen für mehrere Leistungsverstärker berechnen wollen.

Avant d'utiliser cet appareil	1
Visitez notre site Web	1
En cas d'anomalie	1
PRÉCAUTION	2
PRÉCAUTION	2
ATTENTION	2
Réglage de l'appareil	3
Témoin d'alimentation	3
Couvercle supérieur	3
Commande de l'accentuation des graves	3
Interrupteur BFC (Commande de fréquence de battement)	3
Commande de la fréquence de coupure	4
Sélecteur LPF (Filtre passe-bas)/HPF (Filtre passe-haut)	4
Commande du gain	4
Sélecteur d'entrée	4
Réglage correct du gain	5
Raccordement de l'appareil	6
Schéma de raccordement	7
Prise de connexion sans soudure	8
Raccordement de la borne d'alimentation	8
Raccordement des bornes de sortie vers les haut-parleurs	9
Utilisation de l'entrée de haut-parleur	9
Connexion des câbles des haut-parleurs	10
Installation	11
Fixation de la télécommande d'accentuation des graves	11
Exemple d'installation sur le tapis de sol ou sur le châssis	12
Remise en place du couvercle supérieur	12
Caractéristiques techniques	13

Nous vous remercions d'avoir acheté cet appareil PIONEER. Avant de l'utiliser, prendre soin de lire ce manuel.



Si vous souhaitez vous débarrasser de cet appareil, ne le mettez pas à la poubelle avec vos ordures ménagères. Il existe un système de collecte séparé pour les appareils électroniques usagés, qui doivent être récupérés, traités et recyclés conformément à la législation.

Les habitants des états membres de l'UE, de Suisse et de Norvège peuvent retourner gratuitement leurs appareils électroniques usagés aux centres de collecte agréés ou à un détaillant (si vous rachetez un appareil similaire neuf).

Dans les pays qui ne sont pas mentionnés ci-dessus, veuillez contacter les autorités locales pour savoir comment vous pouvez vous débarrasser de vos appareils. Vous garantirez ainsi que les appareils dont vous vous débarrassez sont correctement récupérés, traités et recyclés et préviendrez de cette façon les impacts néfastes possibles sur l'environnement et la santé humaine.

Visitez notre site Web

Rendez-nous visite sur le site suivant:
<http://www.pioneer.fr>

- Enregistrez votre produit. Nous conserverons sur fichier les détails de votre achat pour vous permettre de vous reporter à ces informations en cas de déclaration à votre assurance pour perte ou vol.
- Notre site Web fournit les informations les plus récentes sur la Pioneer Corporation.

En cas d'anomalie

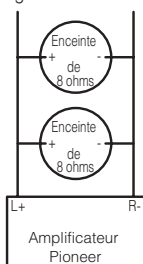
En cas d'anomalie de fonctionnement, veuillez consulter le distributeur ou le centre d'entretien PIONEER le plus proche.

PRÉCAUTION

- Ne remplacez pas le fusible par un fusible de plus grande valeur ou de plus grand calibre. L'utilisation d'un fusible inadapté peut entraîner une surchauffe et de la fumée, et peut provoquer l'endommagement de l'appareil et des blessures, y compris des brûlures.
- Utilisez la clé hexagonale fournie pour serrer les vis lors de la fixation des câbles sur la borne. L'utilisation d'une longue clé hexagonale en vente dans le commerce peut entraîner l'application d'un couple de serrage excessif et endommager les bornes et les câbles.

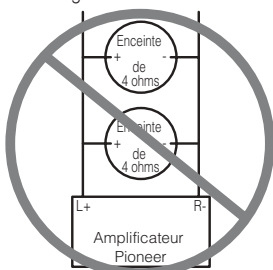
PRÉCAUTION

Diagramme A - Correct



Branchement en pont de 4 ohms

Diagramme B - Incorrect



Branchement en pont de 2 ohms

NE PAS installer ou utiliser l'amplificateur Pioneer en câblant des haut-parleurs de 4 ohm (ou moins) en parallèle pour obtenir un branchement en pont de 2 ohm (ou moins) (schéma B).

Ce type de branchement incorrect peut provoquer des détériorations, de la fumée et une surchauffe de l'amplificateur. Le boîtier de l'amplificateur peut aussi devenir chaud et être à l'origine de brûlures légères.

Pour installer ou utiliser correctement un branchement en pont sur un amplificateur à double canal et obtenir une charge de 4 Ω, câbler deux haut-parleurs de 8 Ω en parallèle avec Gauche + et Droite - (schéma A) ou utiliser un seul haut-parleur de 4 Ω. Pour un amplificateur à quatre canaux, se reporter au schéma de connexion de sortie des haut-parleurs pour un branchement en pont se trouvant sur le panneau arrière de l'amplificateur et câbler deux haut-parleurs de 8 Ω en parallèle pour obtenir une charge de 4 Ω ou utiliser un seul haut-parleur de 4 Ω par canal.

En cas de questions ou de difficultés, contacter le revendeur local Pioneer agréé ou appeler le service à la clientèle de Pioneer.

ATTENTION

- Nous recommandons que vous utilisiez le faisceau de câbles de liaison à la batterie (un câble rouge et un câble de masse) qui est vendu séparément [RD-228]. Reliez le câble rouge à la borne positive (+) de la batterie et le câble de masse à la carrosserie du véhicule.
- Ne touchez pas l'amplificateur quand vous avez les mains mouillées, faute de quoi vous risquez de ressentir une secousse électrique. Pareillement, ne touchez pas l'amplificateur s'il est mouillé.
- Pour votre sécurité et celles des autres usagers de la route, maintenez le niveau d'écoute à une valeur telle que les bruits de la circulation demeurent nettement perceptibles.
- Si le fusible monté sur le câble de liaison à la batterie, câble qui est vendu séparément, a grillé ou bien s'il en est ainsi de celui de l'amplificateur, vérifiez soigneusement toutes les connexions d'alimentation. Recherchez la cause de l'anomalie puis corrigez-la; enfin, remplacez le fusible grillé par un fusible de même taille et de même calibre.
- Pour éviter d'endommager l'amplificateur et les haut-parleurs, le circuit de protection coupe l'alimentation de l'amplificateur (les sons ne sont plus émis) dès que survient une situation anormale. Dans ce cas, mettez l'ensemble des appareils hors tension et contrôlez les liaisons entre l'amplificateur et les haut-parleurs. Le cas échéant, recherchez la cause de l'anomalie et corrigez-la.
- Consultez le revendeur si vous n'êtes pas en mesure de résoudre le problème qui se pose à vous.
- Pour éviter toute secousse électrique et tout risque de court-circuit au cours des opérations de raccordement et d'installation, n'oubliez pas de débrancher le câble relié au pôle négatif de la batterie (-) avant d'effectuer quelque opération que ce soit.
- Avant d'effectuer un perçage requis par l'installation de l'amplificateur, assurez-vous que vous pouvez le faire sans danger pour les câbles, canalisations, flexibles, etc., qui sont placés derrière le panneau que vous devez percer.
- **NE LAISSEZ PAS l'amplificateur entrer en contact avec des liquides à cause, par exemple, de l'emplacement où il a été placé.** Cela pourrait entraîner une secousse électrique. De plus, le contact avec un liquide pourrait endommager l'amplificateur et les enceintes, produire de la fumée ou surchauffer l'appareil. Enfin, la surface de l'amplificateur et des enceintes connectées peut devenir chaude au toucher et entraîner de légères brûlures.

Réglage de l'appareil

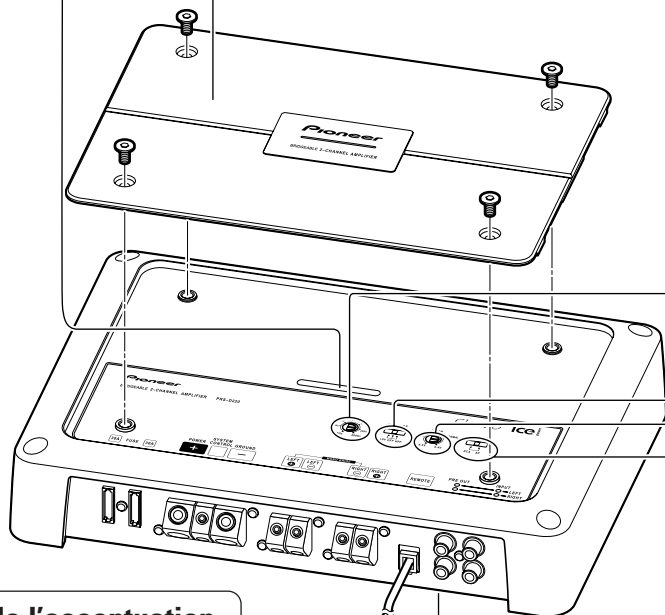
- Pour ajuster les commutateurs, utilisez un tournevis standard si nécessaire.

Témoin d'alimentation

Ce témoin s'éclaire lorsque l'amplificateur est sous tension.

Couvercle supérieur

Avant de mettre l'appareil en place, dévissez les vis avec un tournevis à pointe hexagonale de 4 mm et retirez le couvercle supérieur.



Commande de l'accentuation des graves

Vous pouvez choisir un niveau d'accentuation de 0, 6, 9 ou 12 dB. Pour connaître la manière de relier le boîtier de télécommande d'accentuation des graves à l'amplificateur, reportez-vous à la section "Schéma de raccordement".



Interrupteur BFC (Commande de fréquence de battement)

L'interrupteur BFC se trouve sous l'appareil. Si vous entendez un battement pendant l'écoute d'une transmission MW/LW (PO/GO) avec votre autoradio, changer la position de l'interrupteur BFC en utilisant un petit tournevis standard.

Commande de la fréquence de coupure

Si le sélecteur LPF/HPF est placé sur la position LPF ou HPF, la fréquence de coupure peut être choisie entre 40 Hz et 500 Hz.

Sélecteur LPF (Filtre passe-bas)/HPF (Filtre passe-haut)

Positionnez le sélecteur LPF/HPF comme indiqué ci-dessous en tenant compte de l'autoradio et du type de haut-parleur relié au connecteur de sortie.

Sélecteur LPF/HPF	Gamme des fréquences disponibles en sortie	Type de haut- parleur	Remarques
LPF (gauche)	* — 40 Hz à 500 Hz	Haut-parleur d'extrêmes graves	Utilisez un haut-parleur d'extrêmes graves.
OFF (centre)	Tout le spectre des fréquences	Haut-parleur pleine gamme	
HPF (droite)	* 40 Hz à 500 Hz —	Haut-parleur pleine gamme	Choisissez cette position si les fréquences* très graves sont inutiles compte tenu des haut-parleurs utilisés.

* Reportez-vous au paragraphe "Commande de la fréquence de coupure".

Commande du gain

Si le niveau d'écoute est faible même lorsque la commande de l'autoradio est sur la position correspondant au maximum, tournez la commande de gain dans le sens des aiguilles d'une montre. Inversement, si vous constatez de la distorsion lorsque vous augmentez le niveau de sortie de l'autoradio, tournez cette commande dans le sens contraire des aiguilles d'une montre.

- Choisissez la position NORMAL si l'autoradio stéréo est équipé de prises Cinch (RCA) (niveau de sortie standard à 500 mV). Si cet appareil est utilisé conjointement avec un autoradio stéréo Pioneer pourvu de prises Cinch (RCA) sur lesquelles peuvent se trouver une tension de sortie de 4 V ou plus, réglez le niveau en fonction du niveau de sortie de l'autoradio.
- Si vous notez que le bruit est trop élevé quand vous utilisez les prises d'entrée pour haut-parleur, tournez la commande de gain dans le sens contraire des aiguilles d'une montre.

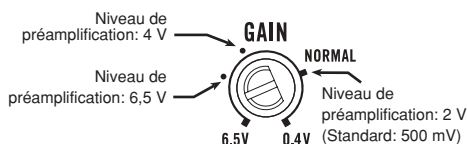
Sélecteur d'entrée

Il est possible d'entrer des signaux à partir de la sortie extérieure d'un autoradio (sortie de haut-parleur d'extrêmes graves) ou de la sortie d'enceinte d'un autoradio. Lors de l'utilisation d'une sortie extérieure (sortie de haut-parleur d'extrêmes graves), faites glisser le sélecteur sur la gauche. Pour les instructions de connexion, reportez-vous à la section "Schéma de raccordement". Lors de l'utilisation de la sortie de haut-parleur, faites glisser le sélecteur sur la droite. Dans ce cas, il est nécessaire d'utiliser le cordon d'entrée de haut-parleur muni de fiches Cinch (RCA) fourni. Pour les détails, reportez-vous à la section "Utilisation de l'entrée de haut-parleur".

Réglage correct du gain

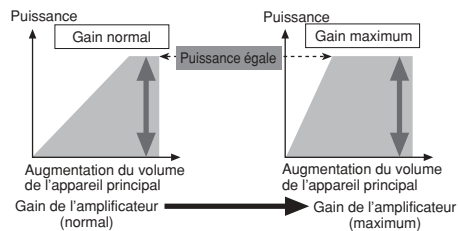
- Cet appareil est muni d'une fonction de protection qui protège l'appareil et les enceintes de tout mauvais fonctionnement dû à une utilisation incorrecte ou à une connexion incorrecte.
- Quand le son est sorti à un niveau de volume élevé, etc. cette fonction coupe la sortie de son en quelques secondes. Ce n'est pas un mauvais fonctionnement. Si vous baissez le niveau de volume de l'appareil principal, la sortie du son est rétablie.
- Si la sortie du son est coupée, c'est peut-être parce que la commande de gain de cet appareil est réglée incorrectement. Pour assurer une sortie continue du son même quand le niveau de volume de l'appareil principal est augmenté, réglez la commande du gain de l'amplificateur sur une position correcte en fonction du niveau de sortie maximum préamplifié de l'appareil principal. Il n'est pas nécessaire de diminuer le volume de l'appareil principal et quand la sortie est trop forte.
- Si vous diminuez le volume de l'appareil principal et réglez la commande de gain de l'amplificateur sur la position correcte mais que le son continue à être coupé de temps à autre, contactez le centre de service autorisé PIONEER le plus proche.

Commande du gain de cet appareil



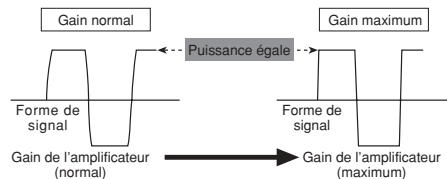
- L'illustration ci-dessus montre le réglage du gain sur NORMAL.

Relation entre le gain de l'amplificateur et la puissance de sortie de l'appareil principal



- Si vous augmentez le gain de l'amplificateur à un niveau incorrect, seule la distorsion est augmentée et la puissance n'augmente que légèrement.

Forme de signal quand la puissance de sortie est élevée par la commande gain de l'amplificateur



- Quand la puissance de sortie est élevée, la forme de signal est déformée et si vous augmentez le gain de l'amplificateur la puissance n'augmente que légèrement.

PRÉCAUTION

- Pour éviter tout risque de court-circuit ou d'endommager cet appareil, débranchez le câble relié à la borne négative (-) de la batterie, au niveau de cette borne.
- Fixez les câbles au moyen de colliers ou du ruban adhésif. Lorsque l'isolant du câble peut être endommagé par une pièce métallique, assurez sa protection en le gainant de ruban adhésif.
- Faites cheminer les câbles en évitant les zones chaudes telles que les bouches du chauffage. La chaleur peut endommager l'isolant et il peut en résulter un court-circuit si l'âme du câble vient en contact avec la carrosserie.
- Assurez-vous que les câbles ne gênent en rien la manoeuvre des organes mobiles tels que rails de siège mais aussi levier de frein de stationnement, pédale de frein, etc.

- Veillez à ce qu'aucun câble ne soit en court-circuit, faute de quoi le circuit de protection pourrait être dans l'incapacité de remplir son office.
- N'alimentez pas un appareil par un piquage sur le câble qui alimente un autre appareil. Ce câble n'a peut-être pas la section suffisante pour supporter sans danger l'intensité consommée par les deux appareils.
- Ne remplacez pas le fusible par un fusible de plus grande valeur ou de plus grand calibre. L'utilisation d'un fusible inadapté peut entraîner une surchauffe et de la fumée, et peut provoquer l'endommagement de l'appareil et des blessures, y compris des brûlures.

PRÉCAUTION:

Pour éviter toute anomalie ou blessure

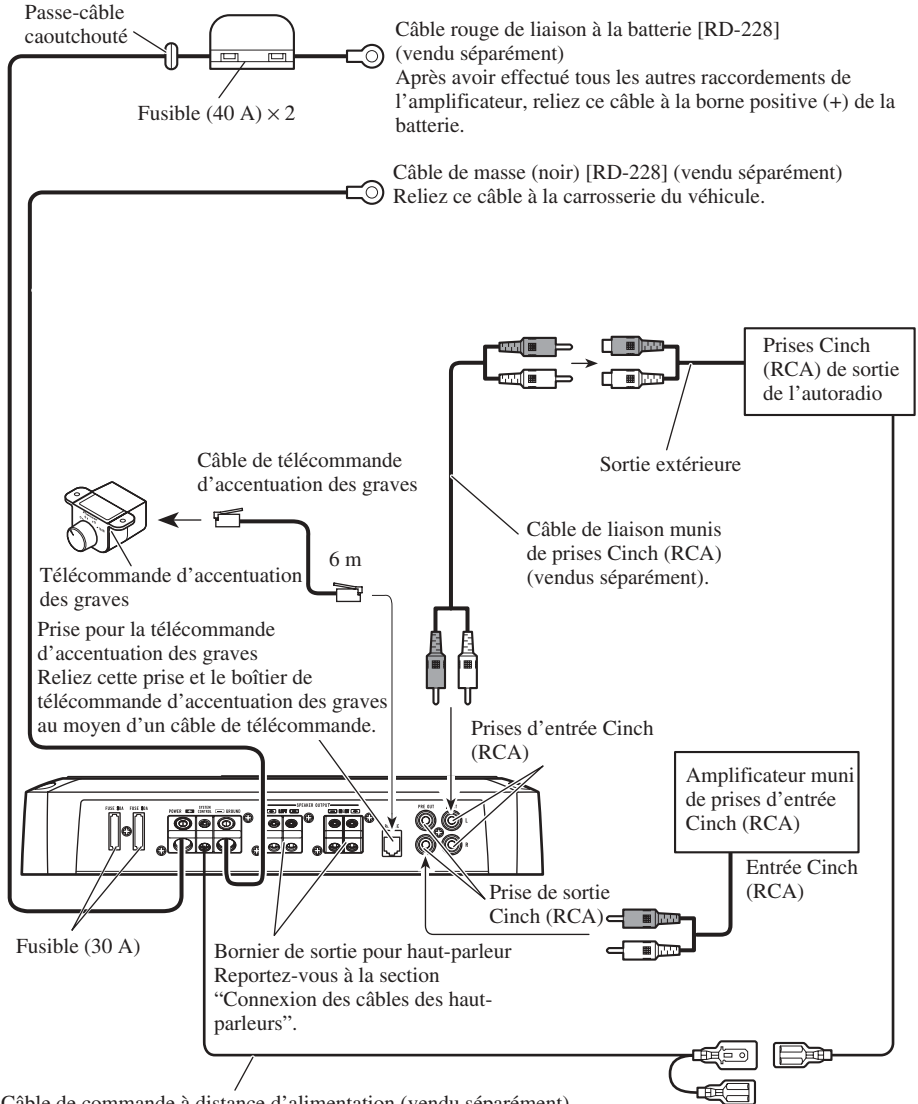
- Ne reliez pas à la masse le câble (-) d'un haut-parleur; ne reliez pas ensemble plusieurs câbles négatifs de haut-parleurs.
- Cet appareil est conçu pour les véhicules alimentés par une batterie 12 V dont le pôle négatif est à la masse. Avant d'installer cet appareil, contrôlez la tension de la batterie.
- Si vous conservez l'autoradio en fonctionnement alors que le moteur est arrêté ou tourne au ralenti, la batterie peut être déchargée au bout d'un certain temps. Pour éviter cela, mettez l'autoradio hors tension.
- Si le câble de commande à distance de l'amplificateur est relié à la borne d'alimentation par l'intermédiaire du contacteur d'allumage (12 V CC), l'amplificateur sera sous tension dès que vous mettez le contact, et cela quelle que soit la situation de l'autoradio. En conséquence, la batterie peut être rapidement déchargée si le moteur ne tourne pas, ou tourne au ralenti.

- Les haut-parleurs qui sont connectés à l'amplificateur doivent se conformer aux standards suivants. Sinon, ils pourraient prendre feu, fumer ou être endommagés. L'impédance du haut-parleur doit être 2 à 8 ohms pour la connexion stéréo, et 4 à 8 ohms pour la connexion monaurale et celle de l'autre pont.
- Installez le câble de liaison à la batterie, vendu séparément, et faites-le cheminer aussi loin que possible des câbles de liaison aux haut-parleurs. Installez le câble de liaison à la batterie, vendu séparément, le câble de masse, les câbles de liaison aux haut-parleurs et l'amplificateur aussi loin que possible de l'antenne, du câble d'antenne et du syntoniseur.

Voie de sortie	Type de haut-parleur	Puissance
Deux voies	Haut-parleur d'extrêmes graves	P. nominale d'entrée: 150 W minimum
	Autre que haut-parleur d'extrêmes graves	P. maximale d'entrée: 300 W minimum
Une voie	Haut-parleur d'extrêmes graves	P. nominale d'entrée: 600 W minimum
	Autre que haut-parleur d'extrêmes graves	P. maximale d'entrée: 1 200 W minimum

Schéma de raccordement

- Ce schéma montre les connexions en utilisant une sortie extérieure (sortie de haut-parleur d'extrêmes graves). Faites glisser le sélecteur d'entrée sur la gauche.
- Si vous réalisez une connexion avec une sortie de haut-parleur extérieur, les connexions diffèrent de ce schéma. Pour les détails, reportez-vous à la section "Utilisation de l'entrée de haut-parleur". Dans chaque cas, vous devez régler le sélecteur d'entrée correctement. Pour les détails, reportez-vous à la section "Réglage de l'appareil".



Câble de commande à distance d'alimentation (vendu séparément)

Reliez la fiche mâle de ce câble à la borne de commande à distance de l'autoradio (SYSTEM REMOTE CONTROL). La fiche femelle doit être reliée à la prise de commande de l'antenne motorisée. Si l'autoradio ne possède pas de prise pour commande à distance de la mise sous tension, reliez la fiche mâle à une borne d'alimentation en passant par le contacteur d'allumage.

Prise de connexion sans soudure

- Ne connectez pas un câble dont l'âme est à nu à la borne d'alimentation de cet amplificateur (Borne d'alimentation, borne de masse (GND), Borne de commande à distance d'alimentation). Une déconnexion ou une coupure de l'âme du câble peut être la cause d'un incendie ou d'un court-circuit.
- Comme le câble devient lâche avec le temps, il doit être vérifié périodiquement et resserré si nécessaire.
- Ne soudez ni ne tordez les extrémités des âmes torsadées.
- Serrez en vous assurant de ne pas coincer la gaine isolante du câble.
- Utilisez la clé hexagonale fournie pour serrer et desserrer la vis de la prise de l'amplificateur. Serrez le câble solidement avec la vis de la prise. Cependant, faites attention de ne pas serrer excessivement en contrôlant l'état du câble pendant le serrage car un serrage excessif de la vis de la prise du système de commande à distance peut endommager le câble.

Raccordement de la borne d'alimentation

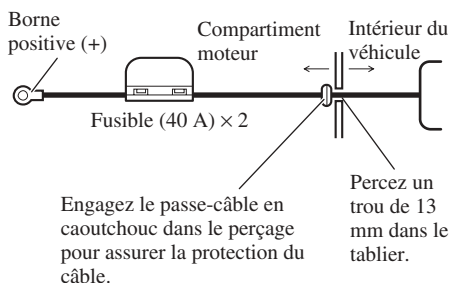
- Nous recommandons que vous utilisiez le faisceau de câbles de liaison à la batterie (un câble rouge et un câble de masse) qui est vendu séparément [RD-228]. Reliez le câble rouge à la borne positive (+) de la batterie et le câble de masse à la carrosserie du véhicule.
- La section conseillée des câbles est la suivante (suivant AWG, American Wire Gauge). Le câble de batterie et le câble de masse doivent avoir la même section.
- Utilisez un câble de 10 AWG à 20 AWG pour le câble de commande à distance d'alimentation.

Section de câble de la batterie et câble de masse

Longueur du câble	moins de 4,5 m	moins de 7,2 m	moins de 11,4 m
Section du câble	8 AWG	6 AWG	4 AWG

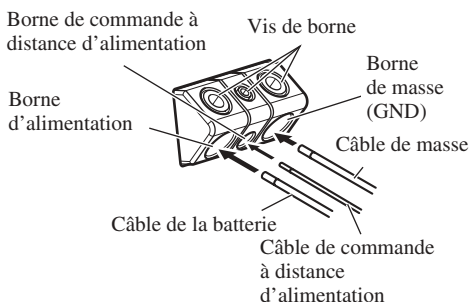
1. Faites passer le câble de liaison à la batterie du compartiment moteur vers l'intérieur du véhicule.

- Après avoir effectué tous les autres raccordements de l'amplificateur, reliez la borne d'alimentation de l'amplificateur à la borne positive (+) de la batterie.



2. Reliez les câbles aux bornes.

- Serrez soigneusement les câbles au moyen des vis.



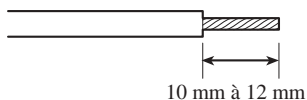
⚠ ATTENTION

Faute de serrer soigneusement le câble de batterie sur la borne au moyen d'une vis de borne, une élévation importante de température de la borne peut se produire et provoquer dommages et blessures, y compris brûlures légères.

Raccordement des bornes de sortie vers les haut-parleurs

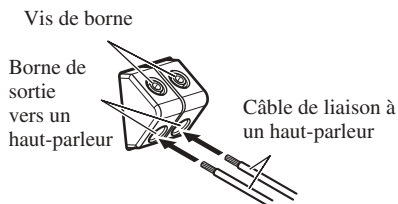
- Utilisez un câble de 10 AWG à 16 AWG pour le câble de haut-parleur.

1. Dénudez l'extrémité des câbles de haut-parleurs sur environ 10 mm à 12 mm en utilisant des pinces ou un cutter.



2. Reliez les câbles de liaisons aux haut-parleurs aux bornes de sortie vers les haut-parleurs.

- Serrez soigneusement les cosses au moyen des vis.

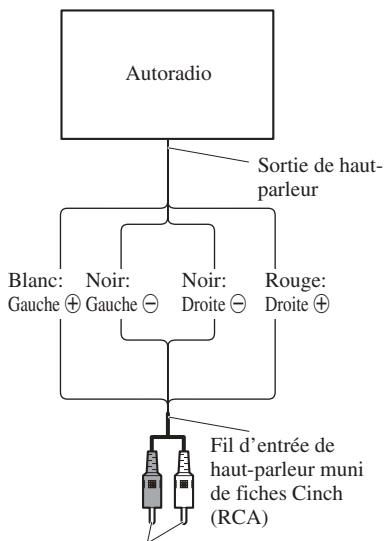


Utilisation de l'entrée de haut-parleur

Connectez les fils de sortie de haut-parleur de l'autoradio à l'amplificateur en utilisant le fil d'entrée de haut-parleur muni de fiches Cinch (RCA) fourni.

- Faites glisser le sélecteur d'entrée sur la droite (SP).

Connexion lors de l'utilisation de l'entrée de haut-parleur



À la prise d'entrée Cinch (RCA) de cet appareil.

- Comme le fil de sortie de haut-parleur de l'autoradio est connecté à l'amplificateur, ce dernier se met automatiquement sous tension quand l'autoradio est mis sous tension. Il n'est pas nécessaire de connecter le câble de commande à distance dans ce cas.
- Dans le cas où l'amplificateur et l'appareil principal sont connectés en utilisant un fil d'entrée de haut-parleur muni de fiches Cinch (RCA), l'amplificateur est mis sous tension uniquement quand un des amplificateurs est utilisé. Si deux amplificateurs ou plus sont connectés en combinaison de façon synchrone, connectez l'appareil principal et tous les amplificateurs avec le câble de commande à distance d'alimentation.

Remarque:

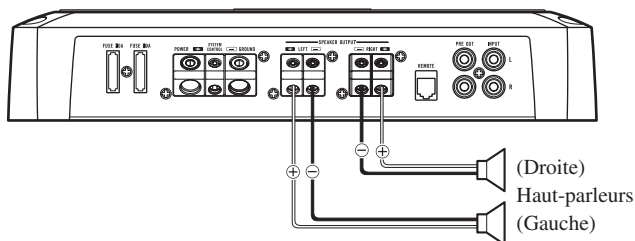
- Connectez le câble de commande à distance l'amplificateur ne se met pas sous tension en même temps que l'autoradio.

Connexion des câbles des haut-parleurs

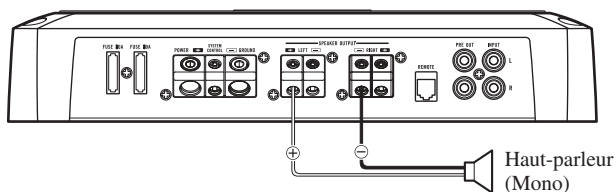
Le mode de sortie des haut-parleurs peut être à deux voies (stéréo) ou à une voie (mono). Connecter les fils du haut-parleur pour se conformer au mode suivant les figures cidessous.

- Ne connecter pas l'entrée de haut-parleur et l'entrée de RCA en même temps.

Deux voies (stéréo)



Une voie (mono)



! PRÉCAUTION

- N'installez pas l'appareil:
 - dans un endroit où il pourrait blesser un occupant du véhicule en cas d'arrêt brusque;
 - dans un endroit où il pourrait gêner le conducteur, par exemple devant son siège.
- Veillez à ce que les câbles ne puissent pas être pincés et endommagés par les sièges, ce qui peut conduire à un court-circuit.
- Avant d'effectuer un perçage requis par l'installation de l'amplificateur, assurez-vous que vous pouvez le faire sans danger pour les câbles, canalisations, flexibles, etc., qui sont placés derrière le panneau que vous devez percer.
- Posez les vis autotaraudeuses de manière que leur extrémité ne puisse pas endommager les câbles. Il est important que l'isolant d'un câble ne soit pas endommagé par le frottement sur une pièce, ce qui pourrait ultérieurement entraîner un court-circuit.
- NE LAISSEZ PAS l'amplificateur entrer en contact avec des liquides à cause, par exemple, de l'emplacement où il a été placé. Cela pourrait entraîner une secousse électrique. De plus, le contact avec un liquide pourrait endommager l'amplificateur et les enceintes, produire de la fumée ou surchauffer l'appareil. Enfin, la surface de l'amplificateur et des enceintes connectées peut devenir chaude au toucher et entraîner de légères brûlures.
- Pour effectuer convenablement l'installation, utilisez les pièces fournies et procédez comme il est indiqué. L'utilisation de pièces autres que celles fournies peut endommager l'amplificateur.
- Ne remplacez pas le fusible par un fusible de plus grande valeur ou de plus grand calibre. L'utilisation d'un fusible inadéquat peut entraîner une surchauffe et de la fumée, et peut provoquer l'endommagement de l'appareil et des blessures, y compris des brûlures.

! PRÉCAUTION:

Pour éviter toute anomalie de fonctionnement ou blessure

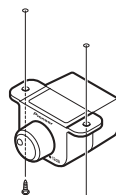
- Pour que la chaleur puisse se dissiper sans mal, respectez ce qui suit:
 - veillez à ce qu'un espace dégagé existe au-dessus de l'amplificateur;
 - ne recouvrez pas l'amplificateur d'un tapis ou d'une moquette.
- NE LAISSEZ PAS l'amplificateur entrer en contact avec des liquides à cause, par exemple, de

l'emplacement où il a été placé. Cela pourrait entraîner une secousse électrique. De plus, le contact avec un liquide pourrait endommager l'amplificateur et les enceintes, produire de la fumée ou surchauffer l'appareil. Enfin, la surface de l'amplificateur et des enceintes connectées peut devenir chaude au toucher et entraîner de légères brûlures.

- N'installez pas l'amplificateur sur une surface instable telle que le tapis amovible cachant la roue de secours.
- Le meilleur emplacement d'installation dépend du véhicule, mais, quoi qu'il en soit, doit être rigide et solide.
- Effectuez tout d'abord des raccordements temporaires pour vous assurer que l'amplificateur et les autres appareils fonctionnent correctement.
- Choisissez un emplacement qui permette le retrait sans peine de la roue de secours, du cric et de la boîte à outils.

Fixation de la télécommande d'accentuation des graves

Fixez-la avec les vis autotaraudeuses (3 mm × 10 mm) dans un endroit facile d'accès tel que sous le tableau de bord.



Vis autotaraudeuse
(3 mm × 10 mm)

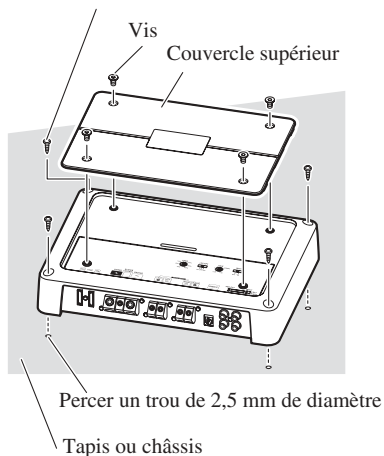
Exemple d'installation sur le tapis de sol ou sur le châssis

1. Posez l'amplificateur à l'emplacement choisi. Introduisez les vis autotaraudeuses fournies (4 mm × 30 mm) dans les perçages. Appuyez fermement sur les vis au moyen d'un tournevis pour marquer les points de perçage.
2. Percer des trous de 2,5 mm de diamètre aux emplacements marqués puis fixez l'amplificateur soit à travers le tapis, soit directement sur le châssis.

Remise en place du couvercle supérieur

1. Alignez l'appareil et le couvercle supérieur et insérez les vis.
 - Le couvercle peut être installé dans la direction souhaitée en fonction de l'amplificateur.
2. Serrez les vis avec un tournevis à pointe hexagonale de 4 mm.

Vis autotaraudeuses (4 mm × 30 mm)



Caractéristiques techniques

Alimentation	14,4 V CC (10,8 V à 15,1 V permis)
Mise à la masse	Pôle négatif de la batterie
Consommation de courant	25 A (à la puissance continue, 4 Ω)
Consommation moyenne de courant*	8 A (4 Ω pour deux voies) 17 A (4 Ω pour une voie) 17 A (2 Ω pour deux voies)
Fusible	30 A \times 2
Dimensions	301 (L) mm \times 57 (H) mm \times 213 (P) mm
Poids	3,4 kg (sans les câbles)
Puissance maximale de sortie	300 W \times 2 (4 Ω) / 1 200 W \times 1 (4 Ω)
Puissance continue de sortie	150 W \times 2 (pour 14,4 V, 4 Ω , 20 Hz à 20 kHz, avec une DHT de 1,0%) 600 W \times 1 (pour 14,4 V, 4 Ω , 1 kHz, avec une DHT de 1,0%) 300 W \times 2 (pour 14,4 V, 2 Ω , 1 kHz, avec une DHT de 1,0%)
Impédance de charge	4 Ω (2 Ω à 8 Ω permis) (Montage ponté: 4 Ω à 8 Ω permis)
Réponse en fréquence	10 Hz à 50 kHz (+0 dB, -3 dB)
Rapport signal/bruit	100 dB (Réseau IEC-A)
Distorsion	0,005 % (10 W, 1 kHz)
Séparation des voies	70 dB (1 kHz) 60 dB (100 Hz à 10 kHz)
Filtre passe-bas	Fréquence de coupure: 40 Hz à 500 Hz Pente: -12 dB/oct.
Filtre passe-haut	Fréquence de coupure: 40 Hz à 500 Hz Pente: -12 dB/oct.
Accentuation des graves	Fréquence: 50 Hz Niveau: 0, 6, 9, 12 dB
Commande du gain	RCA: 400 mV à 6,5 V Haut-parleur: 1,6 V à 26 V
Niveau maximale / impédance d'entrée	RCA: 6,5 V / 22 k Ω Haut-parleur: 26 V / 90 k Ω

Remarque:

- Les caractéristiques et la présentation peuvent être modifiées sans avis préalable à fin d'amélioration.

* Consommation moyenne de courant

- Le courant moyen est proche du courant maximal lorsqu'un signal audio est appliqué à l'entrée de l'amplificateur. Utilisez cette valeur lorsque vous désirez calculer le courant total consommé par plusieurs amplificateurs de puissance.

Prima di usare questo prodotto	1
Visita il nostro sito Web	1
In caso di difficoltà	1
PRECAUZIONE	2
PRECAUZIONE	2
ATTENZIONE	2
Regolazione di questa unità	3
Indicatore dell'alimentazione	3
Coperchio superiore	3
Comando di selezione per l'espansione dei bassi	3
Selettore BFC (Beat Frequency Control)	3
Comando della soglia della frequenza di taglio	4
Selettore LPF (filtro passa-basso)/ HPF (filtro passa-alto)	4
Comando del guadagno	4
Selettore d'ingresso	4
Regolazione corretta del guadagno	5
Come collegare l'unità	6
Schema di collegamento	7
Collegamenti senza saldatura ai terminali	8
Come collegare il terminale dell'alimentazione	8
Come collegare il terminale di uscita degli altoparlanti	9
Utilizzo dell'ingresso altoparlanti	9
Collegamento dei cavi d'altoparlanti	10
Installazione	11
Fissaggio del telecomando di potenziamento dei bassi	11
Esempio dell'installazione sul pavimento oppure sullo chassis	12
Riapplicazione del coperchio superiore	12
Caratteristiche	13

Grazie per aver acquistato questo prodotto PIONEER. Leggere attentamente queste istruzioni prima di usare questo apparecchio.



Se si vuole eliminare questo prodotto, non gettarlo insieme ai rifiuti domestici. Esiste un sistema di raccolta differenziata in conformità alle leggi che richiedono appositi trattamenti, recupero e riciclo.

I privati cittadini dei paesi membri dell'UE, di Svizzera e Norvegia, possono restituire senza alcun costo i loro prodotti elettronici usati ad appositi servizi di raccolta o a un rivenditore (se si desidera acquistarne uno simile).

Per i paesi non citati qui sopra, si prega di prendere contatto con le autorità locali per il corretto metodo di smaltimento.

In questo modo, si è sicuri che il proprio prodotto eliminato subirà il trattamento, il recupero e il riciclo necessari per prevenire gli effetti potenzialmente negativi sull'ambiente e sulla vita dell'uomo.

Visita il nostro sito Web

Visita il seguente sito Web:

<http://www.pioneer.it>

- Potrai registrare il tuo prodotto. Pioneer conserverà i dettagli del tuo acquisto per agevolare il riferimento a tali informazioni nel caso di una richiesta di risarcimento assicurativa, come in caso di furto o smarrimento.
- Sul nostro sito Web sono disponibili le informazioni più recenti su Pioneer Corporation.

In caso di difficoltà

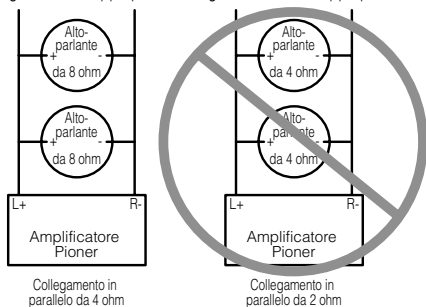
Se l'apparecchio non funziona correttamente, rivolgersi al rivenditore o ad un Centro Assistenza Autorizzato PIONEER.

PRECAUZIONE

- Non sostituire mai il fusibile con uno di valore o taratura superiore a quella del fusibile originale. L'uso di fusibili non adeguati può determinare un surriscaldamento o generare fumo, eventualmente danneggiando il prodotto e procurando lesioni o ustioni.
- Per serrare le viti che bloccano i cavi nei terminali si raccomanda di usare la chiave a brugola fornita in dotazione. L'uso di chiavi esagonali lunghe del tipo normalmente reperibile in commercio potrebbe infatti condurre all'applicazione di una coppia eccessiva, con conseguente danneggiamento dei terminali e dei cavi stessi.

PRECAUZIONE

Diagramma A - Appropriato Diagramma B - Non appropriato



NON installare o usare l'amplificatore Pioneer collegando in parallelo altoparlanti da 4 ohm (o meno) per ottenere un carico a ponte di 2 ohm (o meno) (schema B).

Effettuando impropriamente i collegamenti in parallelo, si può provocare fumo, surriscaldamento o danni all'amplificatore. Inoltre, la superficie dell'amplificatore può riscaldarsi al punto da causare lievi ustioni. Ai fini della corretta installazione in parallelo e dell'uso appropriato di un amplificatore a due canali con un carico di 4 Ω , collegare in parallelo due altoparlanti da 8 Ω , usando i terminali positivo sinistro L+ e negativo destro R- (schema A), oppure usare un singolo altoparlante da 4 Ω . Nel caso di un amplificatore a quattro canali, seguire lo schema di collegamento dell'uscita degli altoparlanti sul retro dell'amplificatore, e collegare in parallelo due altoparlanti da 8 Ω per ottenere un carico di 4 Ω , oppure usare un singolo altoparlante da 4 Ω .

In caso di dubbi o quesiti, rivolgersi al rivenditore autorizzato Pioneer di zona o chiamare l'assistenza tecnica Pioneer.

ATTENZIONE

- Si raccomanda di usare lo speciale cavo rosso per batteria e il cavo di messa a terra [RD-228], venduti a parte. Collegare il cavo per la batteria direttamente al terminale positivo (+) della batteria dell'auto, ed il cavo per la messa a terra al corpo dell'autovettura.
- Non toccare l'amplificatore con le mani bagnate. Toccando l'apparecchio con le mani bagnate si rischia di rimanere folgorati. Ugualmente, non toccare l'amplificatore se risulta umido o bagnato.
- Per una buona sicurezza della guida e per una guida appropriata della vettura, mantenere il volume ad un basso livello di tale modo che si possa sentire ancora il suono normale del traffico.
- Se il fusibile del cavo della batteria (venduto a parte) o il fusibile dell'amplificatore bruciano controllare i collegamenti dell'alimentazione e degli altoparlanti. Individuare la causa e risolvere il problema, e provvedere poi a sostituire il fusibile con un altro delle stesse dimensioni e capacità.
- Per evitare un funzionamento incorretto dell'amplificatore e degli altoparlanti, il circuito di protezione taglia l'alimentazione all'amplificatore (il suono si interrompe in questo caso) quando una condizione anormale si presenta. In tale caso, commutare l'alimentazione del sistema alla posizione "OFF" (arresto) poi verificare il collegamento dell'alimentazione e degli altoparlanti. Cercare la causa del problema ed eliminare il problema.
- Consultare il rivenditore se non si può trovare la causa del problema.
- Per evitare qualsiasi scossa elettrica oppure cortocircuito durante il collegamento e l'installazione, assicurarsi di scollegare in anticipo il polo negativo (-) della batteria.
- Verificare che nessuna parte si trovi dietro il pannello quando un foro viene eseguito per l'installazione dell'amplificatore. Assicurarsi di proteggere tutti i cavi e componenti importanti come linee del carburante, linee del freno e cablaggio elettrico, contro i danni.
- NON lasciare che l'amplificatore entri in contatto con liquidi nel luogo in cui esso è installato. Si potrebbero generare infatti scosse elettriche. Il contatto con i liquidi può altresì danneggiare l'amplificatore stesso e i diffusori, con emissione di fumo e creazione di surriscaldamento. La superficie dell'amplificatore o quella degli altoparlanti ad esso collegati potrebbe inoltre divenire molto calda e, al contatto, procurare piccole scottature.

Regolazione di questa unità

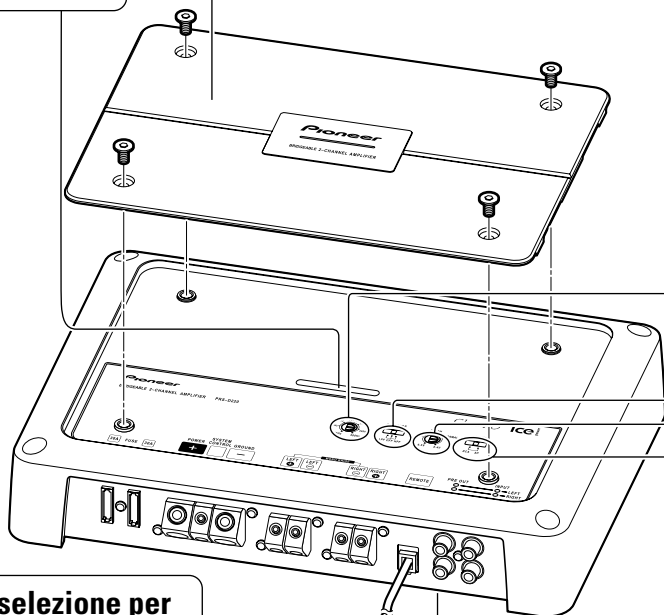
- In caso di necessità il selettore può essere regolato con un cacciavite a punta standard.

Indicatore dell'alimentazione

L'indicatore dell'alimentazione viene illuminato quando si attiva l'alimentazione.

Coperchio superiore

Prima d'installare l'unità, svitare le viti con una chiave esagonale da 4 mm e rimuovere il coperchio superiore.



Comando di selezione per l'espansione dei bassi

Per mezzo di questo comando si può selezionare tra 0, 6, 9 e 12 dB il livello di espansione dei bassi.

Per istruzioni sul collegamento del telecomando di espansione dei bassi all'amplificatore si prega di vedere la sezione "Schema di collegamento".



Selettore BFC (Beat Frequency Control)

Il selettore BFC si trova sul fondo dell'unità. Qualora durante l'ascolto di stazioni MW/LW con l'apparecchio stereo dell'auto si avverta un battimento, con un piccolo cacciavite appuntito si suggerisce di cambiare la posizione del selettore BFC.

Comando della soglia della frequenza di taglio

Portando il selettore LPF/HPF su una delle due posizioni LPF o HPF, si può selezionare la soglia della frequenza di taglio ad un valore compreso fra 40 Hz e 500 Hz.

Selettore LPF (filtro passa-basso)/HPF (filtro passa-alto)

Regolare il selettore LPF/HPF come segue a secondo del tipo di altoparlante collegato al connettore di uscita dell'altoparlante ed il sistema d'impianto stereo per macchina:

Selettore LPF/HPF	Gamma della frequenza audio che viene emessa	Tipo di altoparlante	Note
LPF (sinistra)	* — 40 Hz a 500 Hz	Subwoofer	Collegare un Subwoofer.
OFF (centro)	Intera gamma	Intera gamma	
HPF (destra)	* 40 Hz a 500 Hz —	Intera gamma	Da usare se si desidera annullare la gamma di frequenze molto basse* poiché non è necessaria per l'altoparlante in uso.

* Vedere la sezione "Comando della soglia della frequenza di taglio".

Comando del guadagno

Se il livello sonoro continua a rimanere troppo basso, anche alzando il volume dello stereo utilizzato in concomitanza con questo amplificatore di potenza, ruotare in senso orario il comando del guadagno. Se invece il suono si distorce quando si alza il volume, ruotare il comando del guadagno in senso antiorario.

- In caso di uso in combinazione con un car stereo dotato di presa di tipo RCA (uscita standard di 500 mV) porre questo comando sulla posizione NORMAL. In caso di uso in combinazione con un car stereo dotato di presa di tipo RCA con uscita massima di 4 V, o più, regolare il livello in modo che si adegui al livello di uscita del car stereo.
- In caso di percezione di eccessivo rumore durante l'uso dei terminali di ingresso degli altoparlanti, ruotare il comando del guadagno in senso antiorario.

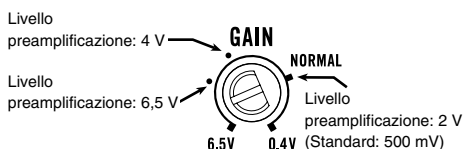
Selettore d'ingresso

È possibile porre in ingresso il segnale proveniente dall'uscita esterna (uscita subwoofer) oppure dall'un'uscita altoparlanti dell'apparecchio stereo dell'auto. In caso di utilizzo dell'uscita esterna (uscita del subwoofer) fare scorrere il selettore a sinistra. Per maggiori informazioni sulla connessione si rimanda alla sezione "Schema di collegamento". In caso di utilizzo dell'uscita agli altoparlanti fare scorrere il selettore a destra. In tal caso è necessario fare uso del cavetto d'ingresso per altoparlanti provvisto di spina RCA fornito in dotazione. Per maggiori informazioni in merito si rimanda alla sezione "Utilizzo dell'ingresso altoparlanti".

Regolazione corretta del guadagno

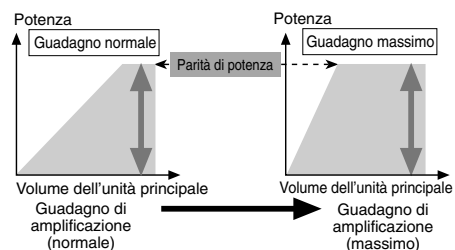
- Questa unità è provvista di una funzione di protezione il cui scopo è prevenire l'insorgere di malfunzionamenti nell'unità stessa e nei diffusori a causa dell'eccessiva potenza del segnale d'uscita oppure di un utilizzo o di collegamenti non corretti.
- In caso di uscita di un segnale di eccessiva intensità, questa funzione lo azzerava completamente nell'arco di pochi secondi. Non si tratta quindi di un malfunzionamento dell'unità. Riducendo il volume dell'unità principale l'uscita audio infatti si ripristinerà.
- All'azzeramento del volume del segnale d'uscita, il controllo di guadagno di questo apparecchio potrebbe risultare non adeguatamente regolato. Per garantire la continuità dell'uscita audio dell'unità principale a volume elevato è sufficiente regolare il controllo di guadagno dell'amplificatore al livello più appropriato in funzione del massimo livello di uscita di preamplificazione dell'unità principale stessa. Non è necessario ridurre il volume dell'unità principale, poiché interviene il controllo di segnale d'uscita eccessivo.
- Qualora di tanto in tanto il suono d'uscita venga azzerato pur dopo aver ridotto il volume dell'unità principale e regolato adeguatamente il controllo di guadagno dell'amplificatore, si invita a rivolgersi ad un centro di assistenza PIONEER autorizzato.

Controllo di guadagno di questa unità



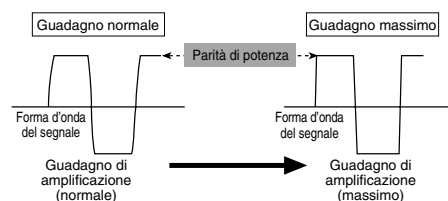
- L'illustrazione qui sopra mostra il guadagno impostato su NORMAL.

Relazione tra il guadagno dell'amplificatore e la potenza di uscita dell'unità principale



- Elevando il guadagno dell'amplificatore ad un livello non adeguato si otterrà l'aumento della distorsione contro solo un lieve aumento di potenza.

Forma d'onda del segnale con uscita ad alto volume tramite controllo di guadagno dell'amplificatore



- Ad elevati livelli d'uscita la forma d'onda del segnale presenta distorsione ed aumentando il guadagno dell'amplificatore la potenza varia solo di poco.

PRECAUZIONE

- Togliere il contatto negativo (-) dalla batteria per evitare ogni rischio di cortocircuito e danni all'unità.
- Fissare il cablaggio con dei fermi per cavi oppure nastro adesivo. Per proteggere il cablaggio, avvolgere il nastro adesivo intorno al cablaggio dove esso si trova in contatto con parti di metallo.
- Non posare i cavi dove possono riscaldarsi, per esempio dove il dispositivo di riscaldamento rischia di riscaldarli. Se l'isolamento si riscalda, potrebbe danneggiarsi, e risultare in un cortocircuito attraverso la carrozzeria del veicolo.
- Assicurarsi che i cavi non siano in contatto con delle parti mobili del veicolo, come leva del cambio, freno a mano oppure meccanismo a scorrimento del sedile.
- Non cortocircuitare i cavi. In caso contrario, il circuito di protezione non funzionerà quando sarà necessario.
- Evitare di collegare altri apparecchi tramite rimozione copertura cavo di alimentazione per accedere all'alimentazione. Questo risulterà in sovraccarico ed eccessivo riscaldamento.
- Non sostituire mai il fusibile con uno di valore o taratura superiore a quella del fusibile originale. L'uso di fusibili non adeguati può determinare un surriscaldamento o generare fumo, eventualmente danneggiando il prodotto e procurando lesioni o ustioni.

PRECAUZIONE:

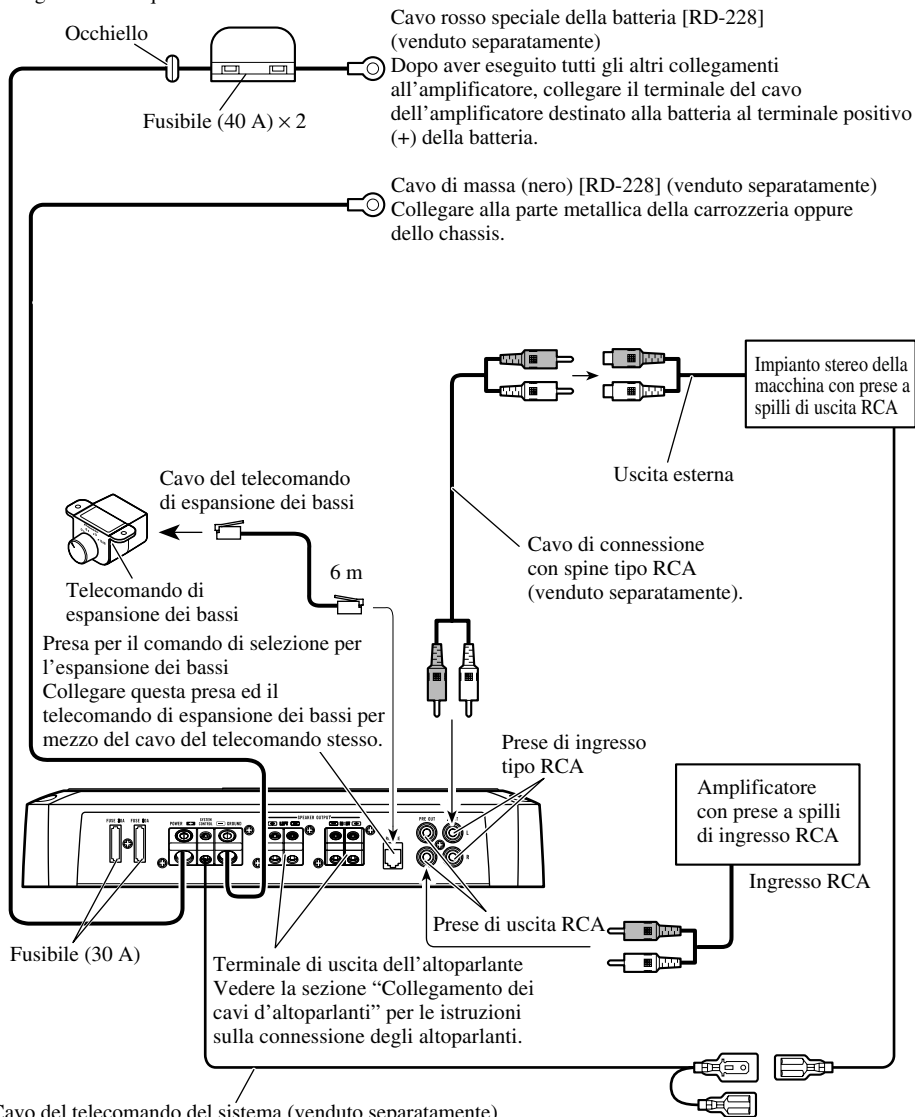
Per evitare danneggiamenti e/o lesioni

- Non mettere direttamente alla massa il cavo dell'altoparlante oppure collegare un cavo negativo (-) a diversi altoparlanti.
- Questa unità è fornita per veicoli con una batteria da 12 volt ed una messa alla massa negativa. Prima di installarla in un veicolo, autocarro oppure un autobus, controllare la tensione della batteria.
- Se l'impianto stereofonico della vettura viene lasciato in funzionamento per un lungo periodo di tempo a motore spento o al minimo, la batteria può esaurirsi. Disattivare l'impianto stereo della macchina quando il motore è fermo o al minimo.
- Se il cavo di telecomando del sistema dell'amplificatore viene collegato al terminale dell'alimentazione attraverso l'interruttore di accensione (12 V, CC), l'amplificatore sarà sempre attivato quando l'accensione è attivata, indipendentemente dal fatto che l'impianto stereo della macchina sia attivato oppure no. Dovuto a questa condizione, la batteria potrà esaurirsi se si lascia il motore fermo o al minimo.
- Gli altoparlanti collegati all'amplificatore deve conformarsi alle sequenze standard, altrimenti prendono fuoco, emettono fumo oppure diventano danneggiati. Per il connetto stereofonico, le resistenze dell'altoparlante deve essere 2 a 8 ohm; 4 a 8 ohm per monofonico o gli altri connetti di ponte.
- Installare ed istradare il cavo per la batteria (venduto separatamente) quanto più possibile lontano dai cavi degli altoparlanti. Installare ed istradare i cavi della batteria e della messa a terra (venduti separatamente), degli altoparlanti e dell'amplificatore quanto più lontani possibile dall'antenna, dal cavo dell'antenna e dal sintonizzatore.

Canale degli altoparlanti	Tipo di altoparlanti	Alimentazione
Due canali	Subwoofer	Ingresso nominale: Minimo 150 W
	Altro che il subwoofer	Ingresso massimo: Minimo 300 W
Una canale	Subwoofer	Ingresso nominale: Minimo 600 W
	Altro che il subwoofer	Ingresso massimo: Minimo 1 200 W

Schema di collegamento

- Questo schema mostra le connessioni in caso di utilizzo dell'uscita esterna (uscita per subwoofer). Fare scorrere verso destra il selettore d'ingresso.
- Le connessioni tuttavia differiscono qualora si utilizzi l'uscita altoparlanti. Per maggiori informazioni in merito si rimanda alla sezione "Utilizzo dell'ingresso altoparlanti". In entrambi i casi è necessario regolare la posizione del selettore d'ingresso. Per maggiori informazioni in merito si rimanda alla sezione "Regolazione di questa unità".



Cavo del telecomando del sistema (venduto separatamente)

Collegare il terminale maschio di questo cavo al terminale dell'impianto stereo per il telecomando del sistema (SYSTEM REMOTE CONTROL). Il terminale femmina può essere collegato al terminale di comando del relè dell'antenna automatica. Se l'impianto stereo della macchina non presenta un terminale per il telecomando del sistema, collegare il terminale maschio al terminale dell'alimentazione attraverso l'interruttore di accensione.

Collegamenti senza saldatura ai terminali

- Ai terminali di alimentazione dell'amplificatore non si devono collegare cavi che presentino tratti di conduttore interno esposti (terminale POWER, terminale GND e morsetto del telecomando di sistema). L'improvviso scollegamento o rottura di un cavo in tale condizione potrebbe infatti divenire causa d'incendio o di corto circuito.
- Poiché col tempo il cavo si può allentare, è raccomandabile controllarlo periodicamente e, se necessario, rinnovarne il bloccaggio.
- L'estremità dei cavi attorcigliati non deve essere né saldata né vincolata in alcun modo.
- Durante il bloccaggio del cavo è necessario evitare di interessarne la guaina isolante.
- Per allentare e serrare le vite dei terminali dell'amplificatore si può far uso della chiave esagonale a brugola fornita in dotazione. I cavi devono essere saldamente bloccati nel terminale con l'apposita vite. Tuttavia, poiché l'eccessivo serraggio della vite del terminale del telecomando del sistema potrebbe danneggiarne il cavo, è necessario prestarvi attenzione osservando il comportamento del cavo stesso durante il bloccaggio.

Come collegare il terminale dell'alimentazione

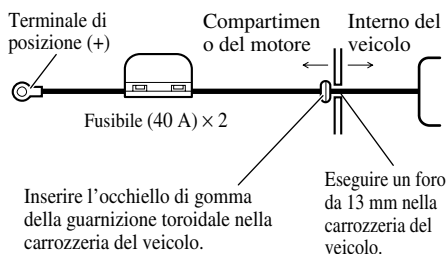
- Si raccomanda di usare lo speciale cavo rosso per batteria e il cavo di messa a terra [RD-228], venduti a parte. Collegare il cavo per la batteria direttamente al terminale positivo (+) della batteria dell'auto, ed il cavo per la messa a terra al corpo dell'autovettura.
- La sezione raccomandata per i cavi (espressa in AWG: American Wire Gauge) è riportata nella tabella che segue. Il cavo della batteria e il cavo di messa a terra devono essere tutti della stessa sezione.
- Per il telecomando di sistema è consigliabile usare un cavo da AWG 10 a AWG 20.

Sezione del cavo della batteria e cavo di massa

Lunghezza del cavo	inferiore a 4,5 m	inferiore a 7,2 m	inferiore a 11,4 m
Sezione del cavo	8 AWG	6 AWG	4 AWG

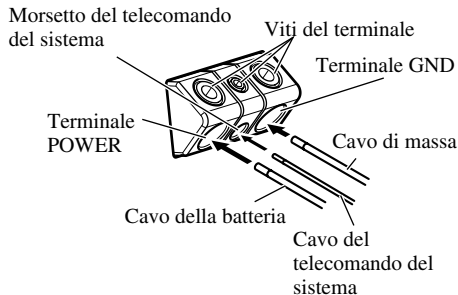
1. Far passare il cavo della batteria dal vano motore all'interno dell'abitacolo.

- Dopo aver eseguito tutti gli altri collegamenti all'amplificatore, collegare il terminale del cavo dell'amplificatore destinato alla batteria al terminale positivo (+) della batteria.



2. Collegare i cavi al morsetto.

- Fissare saldamente i cavi con le viti per morsetti.



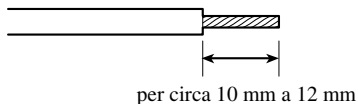
ATTENZIONE

Qualora non si fissi saldamente al terminale il cavo della batteria al terminale con le apposite viti, l'area del terminale stesso potrebbe surriscaldarsi divenendo quindi eventualmente causa di danneggiamenti e di lesioni quali, ad esempio, lievi ustioni.

Come collegare il terminale di uscita degli altoparlanti

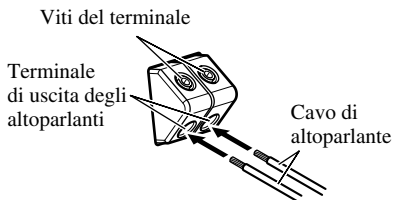
- Per l'altoparlante è consigliabile usare un cavo da AWG 10 a AWG 16.

1. Con delle pinzette o un taglierino rimuovere all'estremità dei cavi d'altoparlante circa 10 mm a 12 mm di guaina isolante.



2. Collegare i cavi degli altoparlanti al terminale di uscita degli altoparlanti.

- Fissare saldamente i cavi con le viti per morsetti.

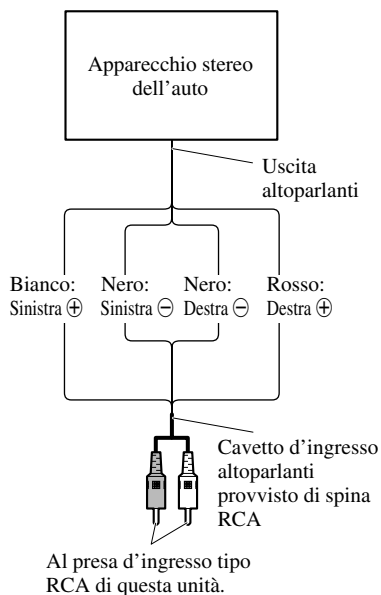


Utilizzo dell'ingresso altoparlanti

Con i cavetti d'ingresso altoparlanti provvisti di spina RCA, forniti in dotazione, collegare all'amplificatore i cavetti dell'uscita altoparlanti dell'apparecchio stereo dell'auto.

- Fare scorrere il selettore a destra (SP).

Connessioni in caso di utilizzo dell'ingresso altoparlanti.



- Collegando il cavo d'uscita altoparlanti dell'apparecchio stereo dell'auto all'amplificatore, quest'ultimo si accende automaticamente all'accensione dell'apparecchio stereo dell'auto. In tal caso non è necessario collegare il cavo del telecomando del sistema.
- Qualora il collegamento tra amplificatore e unità principale sia eseguito utilizzando un cavo d'ingresso diffusori provvisto di spina RCA, esso si accenderebbe solamente in caso di effettivo utilizzo. Qualora siano connessi due o più amplificatori sincronizzati, tutti questi e l'unità principale devono essere collegati mediante il cavo di telecomando del sistema.

Nota:

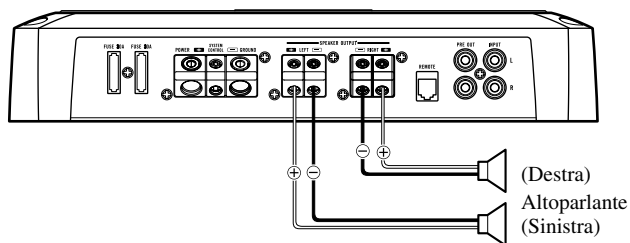
- Il cavo del telecomando del sistema deve essere collegato quando non si desidera che l'amplificatore si accenda all'accensione dell'apparecchio stereo dell'auto.

Collegamento dei cavi d'altoparlanti

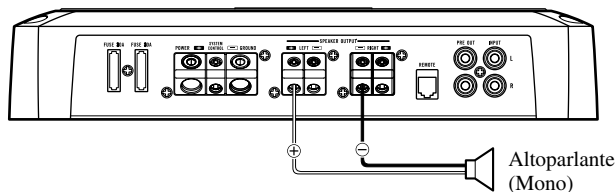
Il modo di uscita altoparlante può essere a due canali (stereo) e a una canale (mono). Colleja i fili dell'altoparlante in giupso modo secondo le norme di sicurezza sotto le riportate.

- Non connettere insieme l'ingresso RCA e l'ingresso altoparlante nello stesso istante.

Due canali (stereo)



Una canale (mono)



! PRECAUZIONE

- Non installare l'unità sulle posizioni seguenti:
 - Posti dove potrebbe ferire il conducente o i passeggeri se il veicolo si arresta bruscamente.
 - Posti dove potrebbe disturbare il conducente, come pavimento verso la parte anteriore del sedile del conducente.
- Assicurarsi che i cavi non vengano presi nel meccanismo a scorrimento del sedile, provocando così un cortocircuito.
- Verificare che nulla si trovi dietro il pannello quando si esegue un foro per l'installazione dell'amplificatore. Assicurarsi di proteggere tutti i cavi e componenti importanti come linee del carburante, linee del freno e cablaggio elettrico, contro i danni.
- Installare le viti autofilettanti in tale modo che le punte delle viti non siano in contatto con i cavi. Questa precauzione è importante per evitare che i cavi vengano tagliati dalle vibrazioni della vettura, poiché ciò può risultare in un incendio.
- NON lasciare che l'amplificatore entri in contatto con liquidi nel luogo in cui esso è installato. Si potrebbero generare infatti scosse elettriche. Il contatto con i liquidi può altresì danneggiare l'amplificatore stesso e i diffusori, con emissione di fumo e creazione di surriscaldamento. La superficie dell'amplificatore o quella degli altoparlanti ad esso collegati potrebbe inoltre divenire molto calda e, al contatto, procurare piccole scottature.
- Per ottenere una installazione appropriata, utilizzare le parti fornite nel modo specificato. Se qualunque parte diversa da quelle fornite viene utilizzata, potrà danneggiare le parti interne dell'amplificatore, oppure potrà allentarsi e l'amplificatore rischia di danneggiarsi.
- Non sostituire mai il fusibile con uno di valore o taratura superiore a quella del fusibile originale. L'uso di fusibili non adeguati può determinare un surriscaldamento o generare fumo, eventualmente danneggiando il prodotto e procurando lesioni o ustioni.

! PRECAUZIONE:

Per evitare malfunzionamenti e/o lesioni

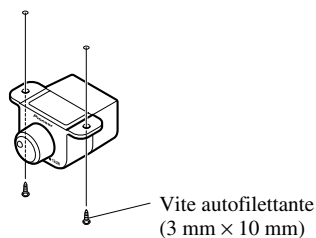
- Per assicurare una dissipazione appropriata di calore dall'amplificatore, fare attenzione ai seguenti punti per l'installazione.
 - Lasciare uno spazio adeguato sopra l'amplificatore per ottenere una ventilazione appropriata.

— Non ricoprire l'amplificatore con tappeti o moquette.

- NON lasciare che l'amplificatore entri in contatto con liquidi nel luogo in cui esso è installato. Si potrebbero generare infatti scosse elettriche. Il contatto con i liquidi può altresì danneggiare l'amplificatore stesso e i diffusori, con emissione di fumo e creazione di surriscaldamento. La superficie dell'amplificatore o quella degli altoparlanti ad esso collegati potrebbe inoltre divenire molto calda e, al contatto, procurare piccole scottature.
- Non installare l'amplificatore in luoghi instabili come il pannello della ruota di scorta.
- La posizione ottimale d'installazione varia a seconda del tipo di veicolo. L'amplificatore deve comunque essere installato in zone del veicolo adeguatamente rigide.
- Eseguire prima i collegamenti provvisori, poi verificare se l'amplificatore ed il sistema funzionano in modo adeguato.
- Una volta installato l'amplificatore si raccomanda di verificare che la ruota di scorta, il martinetto di sollevamento e i necessari attrezzi siano facilmente estraibili dal veicolo.

Fissaggio del telecomando di potenziamento dei bassi

Deve essere fissato con viti autofilettanti (3 mm × 10 mm) in un punto del veicolo facilmente accessibile, ad esempio sotto il cruscotto.

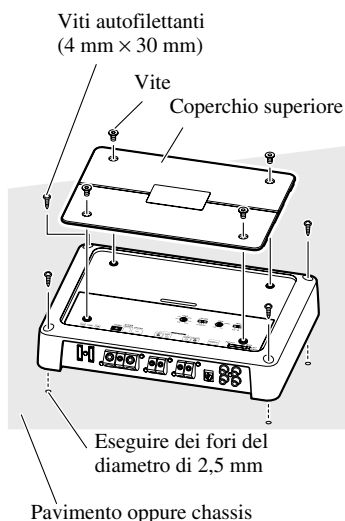


Esempio dell'installazione sul pavimento oppure sullo chassis

- 1. Posizionare l'amplificatore dove deve essere installato. Inserire le viti autofilettanti fornite (4 mm × 30 mm) nei fori delle viti. Spingere le viti con un cacciavite per fare dei segni dove i fori dell'installazione devono essere fatti.**
- 2. Eseguire dei fori del diametro di 2,5 mm al punto marcato ed installare l'amplificatore, sia su tappeto, sia direttamente sullo chassis.**

Riapplicazione del coperchio superiore

- 1. Allineare il coperchio superiore all'unità e inserire le viti.**
 - Il coperchio può essere installato nella direzione desiderata per adattarsi all'amplificatore.
- 2. Serrare bene le viti con la chiave esagonale da 4 mm.**



Caratteristiche

Alimentazione	14,4 V C.C. (10,8 V a 15,1 V permessibile)
Collegamento a terra	Tipo negativo
Consumo	25 A (ad alimentazione continua, 4 Ω)
Corrente media consumata*	8 A (4 Ω per due canali) 17 A (4 Ω per una canale) 17 A (2 Ω per due canali)
Fusibile	30 A \times 2
Dimensioni	301 (L) mm \times 57 (A) mm \times 213 (P) mm
Peso	3,4 kg (Cavi per il cablaggio non compresi)
Uscita massima di potenza	300 W \times 2 (4 Ω) / 1 200 W \times 1 (4 Ω)
Uscita di potenza continua	150 W \times 2 (a 14,4 V, 4 Ω , 20 Hz a 20 kHz 1,0% THD) 600 W \times 1 (a 14,4 V, 4 Ω , 1 kHz 1,0% THD) 300 W \times 2 (a 14,4 V, 2 Ω , 1 kHz 1,0% THD)
Impedenza di carico	4 Ω (2 Ω a 8 Ω permessibile) (Collegamento a ponte: 4 Ω a 8 Ω permessibile)
Risposta in frequenza	10 Hz a 50 kHz (+0 dB, -3 dB)
Rapporto segnale/rumore	100 dB (IEC-A rete)
Distorsione	0,005 % (10 W, 1 kHz)
Separazione	70 dB (1 kHz) 60 dB (100 Hz a 10 kHz)
Filtro passa-basso	Frequenza di taglio: 40 Hz a 500 Hz Pendenza di taglio: -12 dB per ottava
Filtro passa-alto	Frequenza di taglio: 40 Hz a 500 Hz Pendenza di taglio: -12 dB per ottava
Potenziamento dei bassi	Frequenza: 50 Hz Livello: 0, 6, 9, 12 dB
Comando del guadagno	RCA: 400 mV a 6,5 V Altoparlante: 1,6 V a 26 V
Livello di ingresso massimo / impedenza	RCA: 6,5 V / 22 k Ω Altoparlante: 26 V / 90 k Ω

Nota:

- Caratteristiche tecniche e design soggetti a modifiche senza preavviso a causa di migliorie.

*Corrente media consumata

- La corrente media consumata è circa uguale alla corrente massima consumata da questa unità quando un segnale audio viene immesso. Tenere presente questo valore per il calcolo della corrente totale consumata dai vari amplificatori utilizzati.

Alvorens gebruik	1
Bezoek onze website	1
Bij problemen	1
WAARSCHUWING	2
WAARSCHUWING	2
WAARSCHUWING	2
Instellen van dit toestel	3
Spanningsindicator	3
Bovenafdekking	3
Bass Boost regelaar	3
BFC (Beat Frequency Control) schakelaar	3
Regelaar voor drempelfrequentie	4
LPF (lage-doorlaatfilter)/HPF (hoge-doorlaatfilter)-keuzeschakelaar	4
Versterkingsregelaar	4
Ingangschakelaar	4
Correct instellen van de Gain (extra versterking)	5
Aansluiten van het toestel	6
Aansluitschema	7
Aansluitingen zonder solderen	8
Aansluiten van het spanningsaansluitpunt	8
Verbinden van de luidsprekeruitgangsaansluitingen	9
Gebruik van de luidspreker-ingang	9
Aansluiten van de luidsprekerdraden	10
Installatie	11
Bevestigen van de Bass Boost afstandsbediening	11
Voorbeeld van installatie op de vloermat of op het chassis	12
Terugzetten van de bovenafdekking	12
Technische gegevens	13

Dank U zeer voor de aanschaf van dit PIONEER-product. Lees deze gebruiksaanwijzing goed door, voordat het toestel in gebruik genomen wordt.



Deponeer dit product niet bij het gewone huishoudelijk afval wanneer u het wilt verwijderen. Er bestaat een speciaal wettelijk voorgeschreven verzamelsysteem voor de juiste behandeling, het opnieuw bruikbaar maken en de recycling van gebruikte elektronische producten.

In de lidstaten van de EU, Zwitserland en Noorwegen kunnen particulieren hun gebruikte elektronische producten gratis bij de daarvoor bestemde verzamelplaatsen of een verkooppunt (indien u aldaar een gelijkwaardig nieuw product koopt) inleveren.

Indien u zich in een ander dan bovengenoemd land bevindt kunt u contact opnemen met de plaatselijke overheid voor informatie over de juiste verwijdering van het product.

Zodoende zorgt u ervoor dat het verwijderde product op de juiste wijze wordt behandeld, opnieuw bruikbaar wordt gemaakt, t gerecycleerd en het niet schadelijk is voor de gezondheid en het milieu.

Bezoek onze website

Hier vindt u onze site:

<http://www.pioneer.nl>

- Registreer uw product. Wij bewaren de gegevens van het product dat u heeft aangeschaft zodat u deze eenvoudig kunt opvragen als u die nodig mocht hebben voor de verzekering na bijvoorbeeld verlies of diefstal.
- Op onze website vindt u de laatste informatie over Pioneer Corporation.

Bij problemen

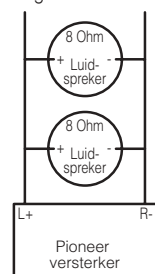
Neem contact op met uw dealer of het dichtstbijzijnde PIONEER service-centrum, wanneer de eenheid niet juist functioneert.

WAARSCHUWING

- Vervang de zekering in geen geval door één met een hoger vermogen of hogere waarde dan de originele. Gebruik van een verkeerde zekering kan leiden tot oververhitting en rookontwikkeling en tot beschadiging van het product en letsel, bijvoorbeeld brandwonden.
- Gebruikt de meegeleverde inbussleutel om de schroeven of bouten vast te draaien wanneer u de draden aan de aansluitingen bevestigt. Gebruik van een los verkrijgbare, lange inbussleutel kan ertoe leiden dat er teveel kracht wordt gezet, hetgeen de aansluitingen en de bedrading zou kunnen beschadigen.

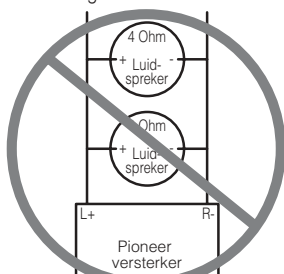
WAARSCHUWING

Diagram A - Correct



4 Ohm brugschakeling

Diagram B - Incorrect



2 Ohm brugschakeling

Uw Pioneer versterker NIET installeren of gebruiken door de luidsprekers van 4 Ohm (of lager) parallel te bedraden om een overbrugde modus (diagram B) van 2 Ohm (of lager) te verkrijgen.

Een onjuiste overbrugging kan leiden tot schade aan de versterker, rook en oververhitting. Het oppervlak van de verwerker kan ook te heet worden om aan te raken en dit kan resulteren in lichte brandwonden.

Om een overbrugde modus op de juiste manier te installeren of te gebruiken voor een tweekanalenversterker en een belasting van 4 Ω te verkrijgen, dient u twee luidsprekers van 8 Ω parallel te bedraden met Links + en Rechts - (diagram A) of een enkelvoudige luidspreker van 4 Ω te gebruiken. Voor een vierkanalenversterker dient u het aansluitdiagram voor luidsprekers te volgen voor overbrugging zoals vertoond

op de achterzijde van uw versterker en twee luidsprekers van 8 Ω parallel te bedraden om een belasting van 4 Ω te verkrijgen of een enkelvoudige luidspreker van 4 Ω per kanaal te gebruiken.

Als u vragen of opmerkingen hebt, neem dan a.u.b. contact op met uw plaatselijk bevoegd Pioneer verdeler of bel de klantendienst van Pioneer.

WAARSCHUWING

- We raden u aan de speciale, los verkrijgbare, rode accudraad en aarddraad [RD-228] te gebruiken. Verbind het accudraad direct met de positieve pool (+) van de autoaccu en het aarddraad met het chassis van de auto.
- Raak de versterker niet met natte handen aan. U zou anders een elektrische schok kunnen krijgen. Raak de versterker tevens niet aan wanneer deze nat is.
- Voor de verkeersveiligheid dient u het volume zodanig in te stellen dat u verkeerssignalen en ander verkeer nog goed kunt horen.
- Controleer de verbindingen van de spanningstoevoer en luidsprekers indien de zekering van het los verkrijgbare accudraad of de zekering van de versterker regelmatig doorbrandt. Zoek de oorzaak en los het probleem op. Plaats vervolgens een nieuwe zekering van hetzelfde formaat en ampère.
- Om een onjuiste werking van de versterker en luidsprekers te voorkomen, schakelt het beschermingscircuit van de versterker de spanning naar de versterker uit indien de omstandigheden niet normaal zijn. Schakel in dit geval de spanning van het systeem uit (OFF), controleer de verbinding met de spanningsbron en luidsprekers. Zoek de oorzaak en los het probleem op.
- Raadpleeg de plaats van aankoop indien u de oorzaak niet kunt vinden.
- Om een elektrische schok of kortsluiting te voorkomen tijdens het aansluiten en installeren, moet de negatieve (-) pool van de accu worden ontkoppeld voordat u de eenheid aansluit.
- Controleer of er zich geen onderdelen achter het paneel bevinden wanneer u een gat boort voor de installatie van de versterker. Zorg ervoor dat alle kabels en belangrijke onderdelen zoals brandstofleidingen, remleidingen en de elektrische bedrading beveiligd zijn en niet kunnen worden beschadigd.
- Laat de versterker IN GEEN GEVAL in contact komen met vloeistoffen, bijvoorbeeld als gevolg van de opstelling van de versterker. Dit kan leiden tot elektrische schokken. De versterker en luidsprekers kunnen ook beschadigd raken, rook produceren en oververhit raken door contact met vloeistoffen. Daarbij kan het oppervlak van de versterker en het oppervlak van aangesloten luidsprekers heet worden, hetgeen kan leiden tot lichte brandwonden.

Instellen van dit toestel

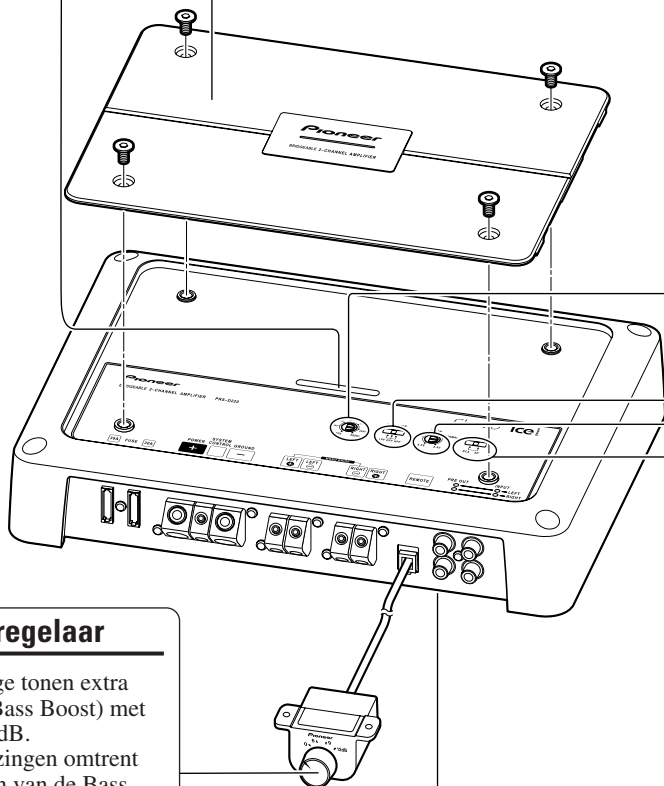
- Om de schakelaar te verzetten kunt u indien nodig een kleine schroevendraaier gebruiken.

Spanningsindicator

De spanningsindicator licht op wanneer de spanning wordt ingeschakeld.

Bovenafdekking

Voor u het toestel gaat installeren, dient u de schroeven los te maken met een inbussleutel van 4 mm en dient u de bovenafdekking te verwijderen.



Bass Boost regelaar

U kunt de lage tonen extra versterken (Bass Boost) met 0, 6, 9 of 12 dB. Voor aanwijzingen omtrent het aansluiten van de Bass Boost afstandsbediening op de versterker, verwijzen we u naar het "Aansluitschema".

BFC (Beat Frequency Control) schakelaar

De BFC schakelaar bevindt zich aan de onderkant van het toestel. Als u een ritmisch geluid (beat) hoort wanneer u naar een MW/LW uitzending luistert met uw autostereo, kunt u de BFC schakelaar verzetten met behulp van een kleine schroevendraaier.

Regelaar voor drempelfrequentie

Met de LPF/HPF keuzeschakelaar op LPF of HPF gesteld kunt u een drempelfrequentie van 40 Hz t/m 500 Hz kiezen.

LPF (lage-doorlaatfilter)/HPF (hoge-doorlaatfilter)-keuzeschakelaar

Stel de LPF/HPF-keuzeschakelaar als volgt in, naargelang het type luidspreker dat is aangesloten op de luidsprekeruitgangsaansluiting en het autostereosysteem:

LPF/HPF-keuzeschakelaar	Uit te voeren audio frequentiebereik	Type luidspreker	Opmerkingen
LPF (links)	* — 40 Hz t/m 500 Hz	Subwoofer	Sluit een subwoofer aan.
Uitgeschakeld (OFF) (midden)	Full range	Full range	
HPF (rechts)	* 40 Hz t/m 500 Hz —	Full range	Als u het zeer lage frequentiebereik* wil afsnijden, omdat het niet nodig is voor de luidspreker die u gebruikt.

* Zie het gedeelte aangaande de “Regelaar voor drempelfrequentie”.

Versterkingsregelaar

Draai de versterkingsregelaar naar rechts indien de weergave te zacht klinkt, zelf wanneer het volume is verhoogd met de autostereo die u met deze eindversterker gebruikt. Draai de versterkingsregelaar naar links indien het geluid vervormt wanneer het volume wordt verhoogd.

- Wanneer u een auto-stereo gebruikt met RCA (standaard uitgangsspanning 500 mV), dient u de NORMAL stand in te stellen. Wanneer u een Pioneer autostereo met RCA gebruikt, met een maximale uitgangsspanning van 4 V of meer, dient u het niveau aan te passen aan het uitgangsniveau van de autostereo.
- Wanneer u te veel ruis hoort bij het gebruik van de luidsprekeringsaansluitingen, moet u de versterkingsregelaar naar links draaien.

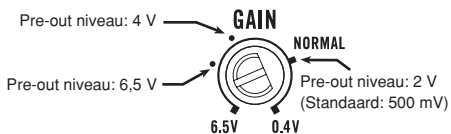
Ingangsschakelaar

Het is mogelijk signalen te ontvangen van de externe uitgang van een autostereo (subwoofer uitgang) of de luidspreker-uitgang van een autostereo. Bij gebruik van een externe uitgang (subwoofer uitgang) dient u deze schakelaar naar links te zetten. Voor instructies betreffende de aansluitingen verwijzen we u naar het “Aansluitschema”. Bij gebruik van een luidspreker-uitgang dient u de schakelaar naar rechts te zetten. In dit geval is het nodig het meegeleverde luidspreker-ingangssnoer met RCA (tulp) stekkers te gebruiken. Zie voor details de paragraaf “Gebruik van de luidspreker-ingang”.

Correct instellen van de Gain (extra versterking)

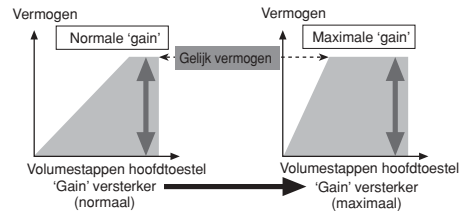
- Dit toestel is uitgerust met een beveiliging die bedoeld is om storingen aan het toestel zelf en aan de luidsprekers veroorzaakt door een te hoog uitgangsvermogen, onjuist gebruik of onjuiste aansluitingen te voorkomen.
- Wanneer er geluid wordt gereproduceerd bij een te hoog volume enz. zal deze functie de geluidswaergave binnen een paar seconden onderbreken. Dit duidt echter niet op een storing. Wanneer u het volume van het hoofdtoestel lager zet, zal de geluidswaergave worden hersteld.
- Als de geluidswaergave wordt onderbroken, is het mogelijk dat de 'gain' (extra versterking) van dit toestel incorrect is ingesteld. Om er zeker van te kunnen zijn dat de geluidswaergave niet zal worden onderbroken wanneer het hoofdtoestel met een hoog volume weergeeft, dient u de 'gain' instelling van de versterker op een geschikte stand te zetten in overeenstemming met het maximale pre-out uitgangsniveau van het hoofdtoestel. Zo is het niet nodig het volume van het hoofdtoestel te verlagen en wordt een te hoog uitgangsniveau voorkomen.
- Als u het volume van het hoofdtoestel hoger zet en de 'gain' (extra versterking) van de versterker op de juiste stand, maar merkt dat het geluid nog steeds zo nu en dan onderbroken wordt, dan dient u contact op te nemen met uw dichtstbijzijnde erkende PIONEER service-centrum.

'Gain' instelling van dit toestel



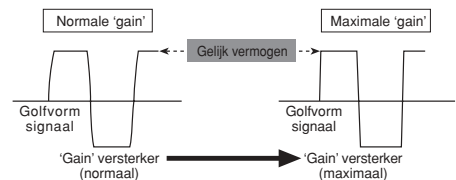
- Op de afbeelding hierboven is de GAIN ingesteld op NORMAL.

Verhouding tussen de 'gain' van de versterker en het uitgangsvermogen van het hoofdtoestel



- Als u de 'gain' (extra versterking) van de versterker op een ongeschikt niveau instelt, zal alleen de vervorming toenemen en zal het vermogen slechts marginaal toenemen.

Golfvorm signaal bij waergave met hoog volume via de 'gain' instelling van de versterker



- Bij een hoog uitgangsvermogen wordt de golfvorm van het signaal vervormd, terwijl het vermogen slechts marginaal zal veranderen als u de 'gain' van de versterker hoger instelt.



WAARSCHUWING

- Voorkom kortsluiting en beschadiging van de eenheid en ontkoppel de negatieve (-) accupool van het voertuig.
- Zet de bedrading met kabelklemmen of isoleer- of plakband vast. Bescherm de bedrading door de gedeelten in de buurt van metalen delen met isoleerband af te dekken.
- Leid de draden niet langs plaatsen die heet worden, bijvoorbeeld in de buurt van de verwarmingselementen. Indien de isolatie van draden heet wordt, zullen de draden worden beschadigd met kortsluiting tot gevolg.
- Zorg dat de bedrading de werking van bewegende of verplaatsbare onderdelen, bijvoorbeeld de versnelling, handrem of stoelverstelmechanismen van het de auto niet hindert.

- Sluit draden niet kort. Het beschermingscircuit werkt anders namelijk niet wanneer het voor de veiligheid zou moeten functioneren.
- Tap het spanningsdraad van dit toestel niet af voor gebruik van andere apparaten. Het vermogen van het draad zou dan namelijk worden overschreden, met oververhitting tot gevolg.
- Vervang de zekering in geen geval door één met een hoger vermogen of hogere waarde dan de originele. Gebruik van een verkeerde zekering kan leiden tot oververhitting en rookontwikkeling en tot beschadiging van het product en letsel, bijvoorbeeld brandwonden.



WAARSCHUWING:

Om beschadiging en/of letsel te voorkomen

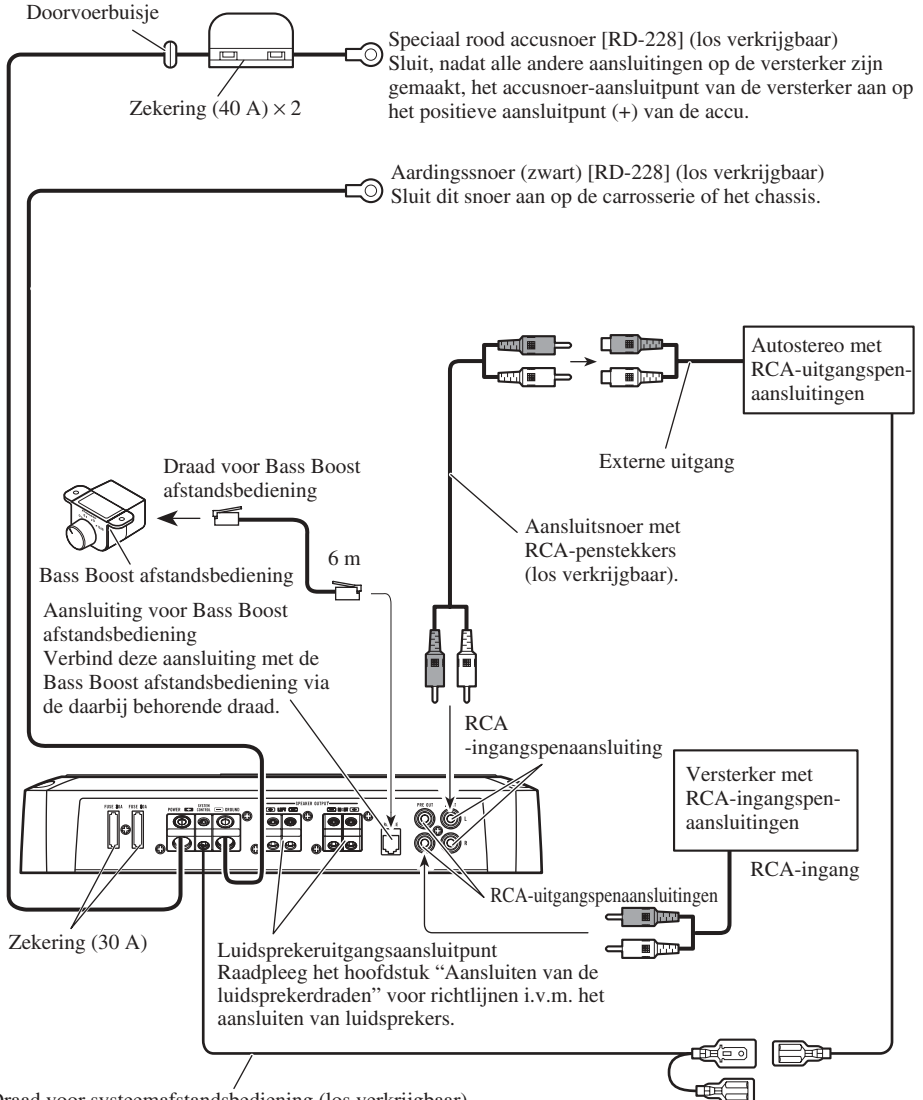
- Aard het luidsprekersnoer niet rechtstreeks en sluit evenmin een negatief snoer (-) aan voor verschillende luidsprekers.
- Dit toestel is ontworpen voor auto's met een accu van 12 V en negatieve aarding. Kijk bijgevolg eerst de accuspanning na voor u het toestel installeert in een recreatief voertuig, vrachtwagen of bus.
- De accu raakt mogelijk uitgeput indien de autostereo langdurig is ingeschakeld maar de motor stationair draait of is uitgeschakeld. Zet de autostereo uit wanneer de motor stationair draait of is uitgeschakeld.
- Als het systeem-afstandbedieningssnoer van de versterker is aangesloten op de spanningsaansluiting via de contactschakelaar (12 V gelijkstroom), is de versterker altijd ingeschakeld wanneer het contact aanstaat, ongeacht of de autostereo wel of niet door u is aangezet. Hierdoor raakt de accu mogelijk uitgeput wanneer de motor stationair draait of is uitgeschakeld.

- Luidsprekers die op de versterker worden aangesloten moeten overeenstemmen met de hieronder vermelde normen. Indien dat niet het geval is, kan dit leiden tot brand of beschadiging van de luidspreker. De luidsprekerimpedantie moet tussen 2 en 8 ohm liggen voor een stereo verbinding en 4 tot 8 ohm voor een mono of andere geschakelde verbinding.
- Plaats en leid het los verkrijgbare accudraad zo ver als mogelijk uit de buurt van de luidsprekerdraden. Plaats en leid het los verkrijgbare accudraad en aarddraad, luidsprekerdraden en de versterker zo ver als mogelijk uit de buurt van de antenne, antennekabel en tuner.

Luidsprekerkanaal	Luidsprekertype	Vermogen
Twee kanalen	Subwoofer	Nominale ingang: min. 150 W
	Andere dan subwoofer	Maximale ingang: min. 300 W
Een kanaal	Subwoofer	Nominale ingang: min. 600 W
	Andere dan subwoofer	Maximale ingang: min. 1 200 W

Aansluitschema

- Dit schema laat de verbindingen zien bij gebruik van een externe uitgang (subwoofer uitgang). Schuif de ingangsschakelaar naar links.
- Bij gebruik van een luidspreker-uitgang zullen de noodzakelijke verbindingen afwijken van dit schema. Raadpleeg voor details de paragraaf "Gebruik van de luidspreker-ingang". In beide gevallen dient u de ingangsschakelaar op de juiste stand te zetten. Zie voor details hieromtrent de paragraaf "Instellen van dit toestel".



Draad voor systeemafstandsbediening (los verkrijgbaar)

Verbind de mannelijke aansluiting van dit draad met de aansluiting voor de systeemafstandsbediening van de autostereo (SYSTEM REMOTE CONTROL). Het vrouwelijke aansluitpunt kan worden aangesloten op het relais-besturingsaansluitpunt van de automatische antenne. Als de autostereo niet beschikt over een systeem-afstandsbedieningsaansluitpunt, sluit dan het mannelijke aansluitpunt aan op het spanningsaansluitpunt via de contactschakelaar.

Aansluitingen zonder solderen

- Sluit geen bedrading met blootliggende geleiderkern aan op de stroomaansluitingen van deze versterker (spanningsaansluitpunt, GND aardeaansluiting, aansluiting voor systeemafstandsbediening). Als de blootliggende geleiderkern van een dergelijke draad los raakt of breekt, zou dit kunnen leiden tot kortsluiting of brand.
- Omdat de draad na verloop van tijd los zal komen te zitten, moet u deze regelmatig controleren en indien nodig opnieuw vastzetten.
- Zet de uiteinden van de draadjes niet vast door ze te solderen of af te binden.
- Let er bij het vastdraaien op dat u de draad niet met de isolatie vastklemt.
- Gebruik de meegeleverde inbusseutel om de schroef van de versterkeraansluiting vast of los te draaien. Zet de draad goed vast met de schroef van de aansluiting. Omdat echter te vast aandraaien van de aansluitingsschroef voor de systeemafstandsbediening het risico met zich meebrengt dat de draad beschadigd raakt, moet u de draad bij het vastdraaien goed in de gaten houden en voorzichtig zijn dat u de schroef niet te vast aandraait.

Aansluiten van het spanningsaansluitpunt

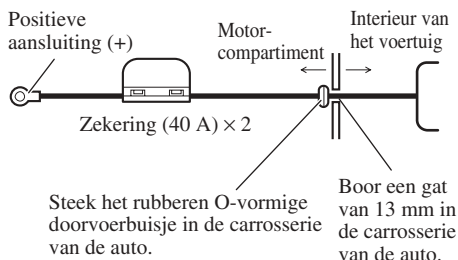
- We raden u aan de speciale, los verkrijgbare, rode accudraad en aardendraad [RD-228] te gebruiken. Verbind het accudraad direct met de positieve pool (+) van de autoaccu en het aardendraad met het chassis van de auto.
- De aanbevolen maten voor de draden (AWG: American Wire Gauge) zijn als volgt. De accudraad en de aardendraad moeten allemaal dezelfde maat hebben.
- Gebruik draad van 10 AWG tot 20 AWG voor de draad voor de systeemafstandsbediening.

Maat voor de accudraad en de aarddraad

Draadlengte	minder dan 4,5 m	minder dan 7,2 m	minder dan 11,4 m
Draadmaat	8 AWG	6 AWG	4 AWG

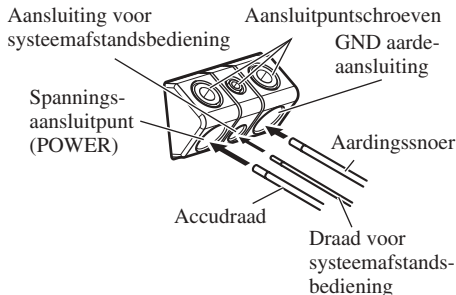
1. Trek het accudraad van het motorgedeelte naar de cabine van de auto.

- Sluit, nadat alle andere aansluitingen op de versterker zijn gemaakt, het accusnoer-aansluitpunt van de versterker aan op het positieve aansluitpunt (+) van de accu.



2. Sluit de draden aan.

- Zet de draden stevig met de schroeven van de aansluitingen vast.



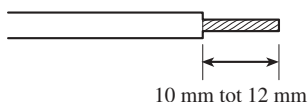
WAARSCHUWING

Als de accudraad niet goed wordt bevestigd aan het aansluitpunt met behulp van de schroef, kan het aansluitpunt oververhit raken, hetgeen kan leiden tot schade en letsel, met inbegrip van lichte brandwonden.

Verbinden van de luidsprekeruitgangsaansluitingen

- Gebruik draad van 10 AWG tot 16 AWG voor luidsprekerdraad.

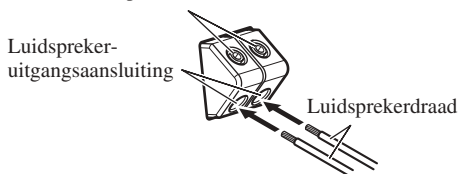
1. Strip ongeveer 10 mm tot 12 mm van de isolatie van het uiteinde van de luidsprekerdraden met een striptang of mes.



2. Verbind de luidsprekerdraden met de luidsprekeruitgangsaansluiting.

- Zet de luidsprekerdraden goed met de schroeven van de aansluiting vast.

Aansluitpuntschroeven

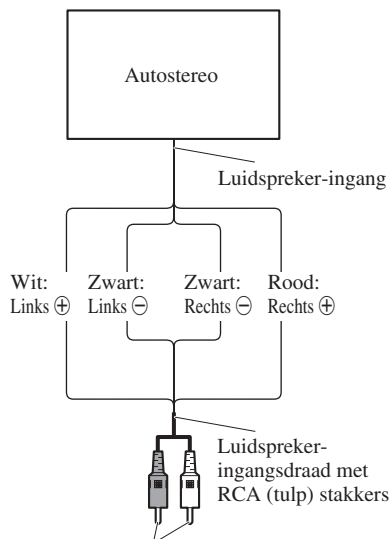


Gebruik van de luidspreker-ingang

Sluit de uitgangsdraad van de autostereo aan op de versterker via de meegeleverde luidspreker-ingangsdraad met RCA (tulp) stekkers.

- Schuif de ingangsschakelaar naar rechts (SP).

Verbindingen bij gebruik van de luidspreker-ingang



Naar de RCA-ingangsaansluiting van dit toestel.

- Als resultaat van het aansluiten van de luidspreker van de autostereo op de versterker, zal de stroom voor de versterker automatisch worden ingeschakeld wanneer de autostereo aan wordt gezet. In dit geval is het niet nodig de draad voor de systeemafstandsbediening aan te sluiten.
- Wanneer de versterker en het hoofdtoestel op elkaar zijn aangesloten met een luidsprekerdraad met RCA (tulpstekker) aansluitingen, zal de versterker alleen worden ingeschakeld wanneer er slechts één versterker wordt gebruikt. Als er twee of meer versterkers gecombineerd synchroon zijn geschakeld, dient u het hoofdtoestel en alle versterkers op elkaar aan te sluiten met de systeembedieningsdraad.

Opmerking:

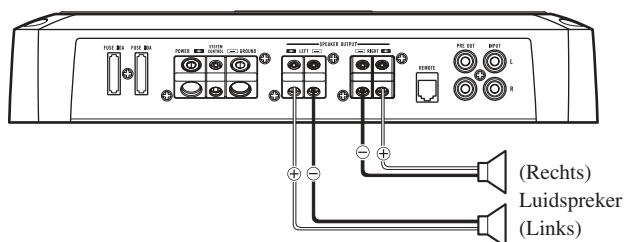
- Sluit de draad voor de systeemafstandsbediening aan wanneer de stroom voor de versterker niet ingeschakeld moet worden wanneer de autostereo wordt aan gezet.

Aansluiten van de luidsprekerdraden

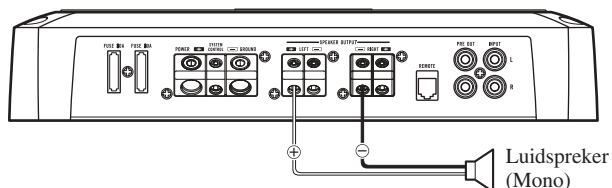
De uitgangsfunctie voor de luidspreker kan voor twee kanalen (stereo) of een kanaal (mono) worden ingesteld. Sluit de luidsprekersnoeren aan overeenkomstig de gewenste functie zoals aangegeven in de onderstaande afbeeldingen.

- Maak niet tegelijk met de RCA ingang en de luidsprekeringang een verbinding.

Twee kanalen (stereo)



Een kanaal (mono)



! WAARSCHUWING

- Niet installeren op:
 - Plaatsen waar het de bestuurder of passagiers zou kunnen verwonden wanneer de auto plotseling stopt.
 - Plaatsen waar de bestuurder door de eenheid tijdens het rijden zou kunnen worden gehinderd, zoals bijvoorbeeld op de vloer voor de bestuurdersstoel.
- Controleer dat draden niet in de weg van de stoelverstelmechanismen zitten. Dit zou namelijk kortsluiting kunnen veroorzaken.
- Controleer of er zich geen onderdelen achter het paneel bevinden wanneer u een gat boort voor de installatie van de versterker. Zorg ervoor dat alle kabels en belangrijke onderdelen zoals brandstofleidingen, remleidingen en de elektrische bedrading beveiligd zijn en niet kunnen worden beschadigd.
- Plaats tapse schroeven zodanig dat de kop van de schroef niet in aanraking met draden komt. Dit is belangrijk en voorkomt dat draden door trillingen van het voertuig door worden gesneden met brand tot gevolg.
- Laat de versterker IN GEEN GEVAL in contact komen met vloeistoffen, bijvoorbeeld als gevolg van de opstelling van de versterker. Dit kan leiden tot elektrische schokken. De versterker en luidsprekers kunnen ook beschadigd raken, rook produceren en oververhit raken door contact met vloeistoffen. Daarbij kan het oppervlak van de versterker en het oppervlak van aangesloten luidsprekers heet worden, hetgeen kan leiden tot lichte brandwonden.
- Gebruik de bijgeleverde onderdelen op de manier die is beschreven om de installatie uit te voeren zoals het hoort. Als andere onderdelen dan diegene die zijn bijgeleverd worden gebruikt, is het mogelijk dat inwendige onderdelen van de versterker schade oplopen of loskomen, zodat de versterker niet meer werkt.
- Vervang de zekering in geen geval door één met een hoger vermogen of hogere waarde dan de originele. Gebruik van een verkeerde zekering kan leiden tot oververhitting en rookontwikkeling en tot beschadiging van het product en letsel, bijvoorbeeld brandwonden.

! WAARSCHUWING:

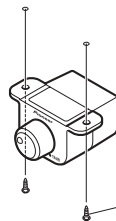
Om slechte werking en/of letsel te voorkomen

- Zorg dat de ventilatie van de versterker niet wordt gehinderd, en let derhalve op de volgende punten tijdens het installeren.
 - Zorg dat er voor een goede vrije ruimte boven de versterker is.
 - Bedek de versterker niet met een vloermat of kleed.

- Laat de versterker IN GEEN GEVAL in contact komen met vloeistoffen, bijvoorbeeld als gevolg van de opstelling van de versterker. Dit kan leiden tot elektrische schokken. De versterker en luidsprekers kunnen ook beschadigd raken, rook produceren en oververhit raken door contact met vloeistoffen. Daarbij kan het oppervlak van de versterker en het oppervlak van aangesloten luidsprekers heet worden, hetgeen kan leiden tot lichte brandwonden.
- Installeer de versterker niet op onstabiele plaatsen, zoals op de reservebandhouder.
- De beste installatieplaats is verschillend afhankelijk van het automerk en model en uw wensen. Plaats de versterker echter best mogelijk stevig op een stabiele plaats.
- Maak eerst voorlopige aansluitingen en ga na of de versterker en het systeem naar behoren werken.
- Na het installeren van de versterker, moet u controleren dat het reservewiel, de krik en het gereedschap nog gemakkelijk kunnen worden verwijderd.

Bevestigen van de Bass Boost afstandsbediening

Bevestig deze met zelftappende schroeven (3 mm × 10 mm) op een gemakkelijk toegankelijke plek, bijvoorbeeld onder het dashboard.



Zelftappende schroef
(3 mm × 10 mm)

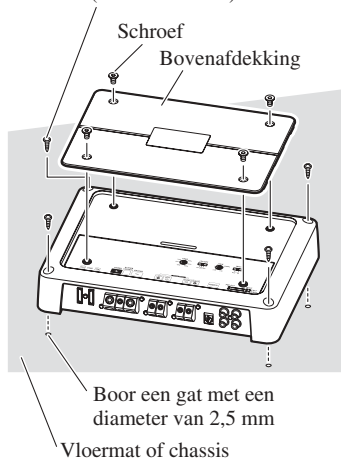
Voorbeeld van installatie op de vloermat of op het chassis

1. Zet de versterker op de plaats waar hij moet worden geïnstalleerd. Steek de bijgeleverde tapschroeven (4 mm × 30 mm) in de schroefgaten. Druk met een schroevendraaier op de schroeven zodat ze een inkeping maken op de plaats waar de gaten voor de installatie moeten komen.
2. Boor gaten met een diameter van 2,5 mm op de plaatsen die zijn gemerkt en installeer de versterker, ofwel op de vloermat ofwel rechtstreeks op het chassis.

Terugzetten van de bovenafdekking

1. Pas de bovenafdekking netjes op het toestel en doe de schroeven terug.
 - Zet de afdekking op de juiste manier terug op de versterker.
2. Draai de schroeven vast met een inbussleutel van 4 mm.

Tapschroeven (4 mm × 30 mm)



Technische gegevens

Spanningsbron	14,4 V gelijkstroom (10,8 V t/m 15,1 V toelaatbaar)
Aarding	Negatieve klem aan massa
Stroomverbruik	25 A (met continu spanning, 4 Ω)
Gemiddeld stroomverbruik*	8 A (4 Ω voor twee kanalen) 17 A (4 Ω voor een kanaal) 17 A (2 Ω voor twee kanalen)
Zekering	30 A \times 2
Afmetingen	301 (B) mm \times 57 (H) mm \times 213 (D) mm
Gewicht	3,4 kg (Excl. bedrading)
Maximale spanningsuitvoer	300 W \times 2 (4 Ω) / 1 200 W \times 1 (4 Ω)
Continu uitgangsvermogen	150W \times 2 (bij 14,4 V, 4 Ω , 20 Hz t/m 20 kHz 1,0% THV) 600 W \times 1 (bij 14,4 V, 4 Ω , 1 kHz 1,0% THV) 300 W \times 2 (bij 14,4 V, 2 Ω , 1 kHz 1,0% THV)
Aansluitimpedantie	4 Ω (2 Ω t/m 8 Ω toelaatbaar) (Geschakelde verbinding: 4 Ω t/m 8 Ω toelaatbaar)
Frequentieweergave	10 Hz t/m 50 kHz (+0 dB, -3 dB)
Signaal/ruisverhouding	100 dB (IEC-A netwerk)
Vervorming	0,005 % (10 W, 1 kHz)
Scheiding	70 dB (1 kHz) 60 dB (100 Hz t/m 10 kHz)
Laag-doorlaatfilter	Afsnijfrequentie: 40 Hz t/m 500 Hz Afsnijfsteilheid: -12 dB/oct
Hoog-doorlaatfilter	Afsnijfrequentie: 40 Hz t/m 500 Hz Afsnijfsteilheid: -12 dB/oct
Extra versterking lage tonen	Frequentie: 50 Hz Helling: 0, 6, 9, 12 dB
Versterkingsregelaar	RCA: 400 mV t/m 6,5 V Luidspreker: 1,6 V t/m 26 V
Maximale ingangsniveau / -impedantie	RCA: 6,5 V / 22 k Ω Luidspreker: 26 V / 90 k Ω

Opmerking:

- Technische gegevens en ontwerp zijn ter productverbetering zonder voorafgaande kennisgeving wijzigbaar.

*Gemiddeld stroomverbruik

- Het gemiddelde stroomverbruik is zo goed als gelijk aan het maximale stroomverbruik van dit toestel bij ontvangst van een audiosignaal. Gebruik deze waarde bij het uitrekenen van het totale stroomverbruik van meerdere vermogensversterkers.

Инструкции перед началом эксплуатации данного устройства 1

Посетите наш сайт	1
Действия в случае возникновения проблем	1
ОСТОРОЖНО!	2
ОСТОРОЖНО!	2
ПРЕДУПРЕЖДЕНИЕ	2

Настройка устройства 3

Индикатор питания	3
Верхняя крышка	3
Регулирование подъема низких частот	3
Переключатель ВFC (переключатель частоты биения)	3
Контроль предельной частоты	4
Переключатель LPF (фильтра низких частот)/ HPF (фильтра высоких частот)	4
Регулирование усиления	4
Переключатель входа	4
Регулирование Усиления должным образом	5

Подключение устройства 6

Схема соединений	7
Соединения беспаячных клемм	8
Соединение клеммы источника питания	8
Соединение выходных зажимов динамика ..	9
Использование входного разъема динамика	9
Соединение проводов динамика	10

Установка 11

Присоединение регулятора дистанционного управления подъема нижних частот ..	11
Пример установки усилителя на коврике или на раме автомобиля	12
Возвращение верхней крышки на место	12

Спецификации 13

Благодарим вас за покупку данного устройства фирмы PIONEER. Прежде чем начать эксплуатацию данного устройства, обязательно ознакомьтесь с настоящим руководством.



Если вы желаете утилизировать данное изделие, не выбрасывайте его вместе с обычным бытовым мусором. Существует отдельная система сбора использованных электронных изделий в соответствии с законодательством, которая предполагает соответствующее обращение, возврат и переработку.

Частные клиенты-в странах-членах ЕС, в Швейцарии и Норвегии могут бесплатно возвращать использованные электронные изделия в соответствующие пункты сбора или дилеру (при покупке сходного нового изделия).

В странах, не перечисленных выше, для получения информации о правильных способах утилизации обращайтесь в соответствующие учреждения. Поступая таким образом, вы можете быть уверены в том, что утилизируемый продукт будет соответствующим образом обработан, передан в соответствующий пункт и переработан без возможных негативных последствий для окружающей среды и здоровья людей.

Посетите наш сайт

Посетите наш сайт:

<http://www.pioneer-rus.ru>

- Зарегистрируйте приобретенное изделие. Мы сохраним сведения о Вашей покупке, что поможет Вам ссылаться на эту информацию в случае страхового требования по причине потери или кражи.
- Самую свежую информацию о Pioneer Corporation можно получить на нашем веб-сайте.

Действия в случае возникновения проблем

Если устройство не работает должным образом, свяжитесь с вашим дилером или ближайшей утвержденной станцией обслуживания продукции PIONEER.

⚠ ОСТОРОЖНО!

- Никогда не заменяйте перегоревший предохранитель предохранителем с большим номиналом. Использование неподходящего предохранителя может привести к перегреву и выделению дыма. Это также может привести к повреждению устройства и травмам, в том числе ожогам.
- Используйте поставляемый шестиугольный гаечный ключ, чтобы затянуть винты, когда соединяете провода с клеммой. Использование длинного, серийно выпускаемого шестиугольного гаечного ключа может стать причиной применения чрезмерного вращающего момента, возможно приводящего к повреждению клемм и проводов.

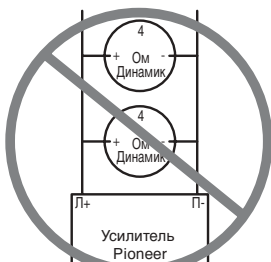
⚠ ОСТОРОЖНО!

Схема А – Правильное подключение



Мостовое соединение 4 Ом

Схема В – Неправильное подключение



Мостовое соединение 2 Ом

При установке или использовании вашего усилителя Pioneer НЕ ПОДКЛЮЧАЙТЕ динамики с номиналом 4 Ом (или ниже) параллельно, чтобы получить мостовое соединение 2 Ом (или ниже) (Схема В). Неправильное мостовое соединение может привести к повреждению усилителя, выделению дыма и перегреву. Кроме того, поверхность усилителя может нагреться, и прикосновение к ней может привести к незначительным ожогам. Для обеспечения правильной установки и использования мостового соединения двухканального усилителя и достижения нагрузки 4 Ω, выполните параллельное соединение 8 Ω динамиков с Левым+ и Правым- каналами (Схема А) или воспользуйтесь одним 4 Ω динамиком. При использовании четырехканального усилителя следует выполнить соединение в соответствии со схемой мостового

соединения, приведенной на задней панели вашего усилителя, и параллельно подключить два 8 Ω динамика для обеспечения нагрузки 4 Ω или подключить один 4 Ω динамик к каждому каналу. Если у вас возникнут какие-либо вопросы, свяжитесь с уполномоченным дилером фирмы Pioneer или позвоните в отдел обслуживания покупателей фирмы Pioneer.

ПРЕДУПРЕЖДЕНИЕ

- Мы рекомендуем, чтобы Вы использовали специальные красные провода [RD-228] для батарей и заземления, которые продаются отдельно. Подсоедините электрический провод батареи прямо к положительной клемме (+) батареи автомобиля, а провод заземления к кузову автомобиля.
- Не прикасайтесь к усилителю влажными руками, так как это может привести к поражению электрическим током. Также не следует дотрагиваться до усилителя, если на него попала какая-либо жидкость.
- Для обеспечения безопасности движения и безопасности условий вождения установите такой уровень громкости, при котором вам будет слышен обычный шум дорожного движения.
- Если перегорит предохранитель отдельно продаваемого провода батарей или предохранитель усилителя, проверьте соединения источника питания и динамиков. Определите и устраните причину, затем замените предохранитель новым предохранителем такого же размера и номинала.
- Для того, чтобы предотвратить выход из строя усилителя и динамиков, при возникновении нестандартных условий защитная цепь прекратит подачу питания на усилитель (при этом прекратится воспроизведение звука). В этом случае следует отключить электропитание системы и проверить соединение источника питания и динамиков. Определите и устраните причину неисправности.
- Свяжитесь с дилером, если вы не можете определить причину неисправности.
- Во избежание поражения электрическим током или короткого замыкания во время подключения и установки перед выполнением работ следует обязательно отсоединить отрицательную (-) клемму батареи.
- При просверливании отверстий для установки усилителя убедитесь в том, что за панелью не расположены какие-либо детали. Обязательно защитите от возможных повреждений все кабели и важное оборудование, например трубки топливной и тормозной систем и электропроводку.
- НЕ УСТАНАВЛИВАЙТЕ усилитель в таких местах, где на него могут попадать какие-либо жидкости, так как это может привести к поражению электрическим током. Кроме того, контакт с жидкостью может привести к повреждению усилителя и динамиков, выделению дыма и перегреву. При этом поверхность усилителя и подключенных к нему динамиков может нагреться и прикосновение к ней может привести к незначительным ожогам.

Настройка устройства

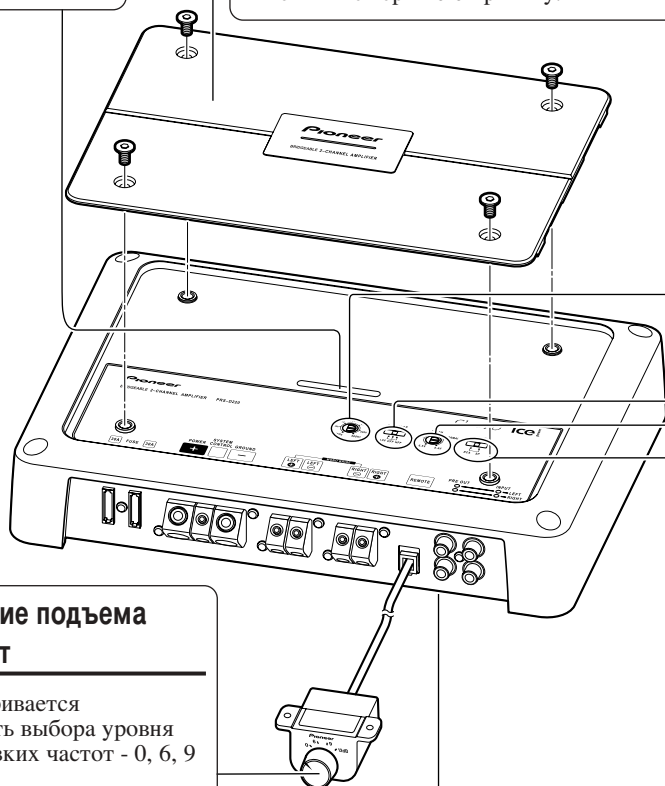
- Чтобы отрегулировать переключатель, используйте стандартную отвертку, если необходимо.

Индикатор питания

Индикатор питания загорается при подаче электропитания.

Верхняя крышка

Перед установкой устройства, открепите винты с помощью 4 мм шестиугольного гаечного ключа и снимите верхнюю крышку.



Регулирование подъема низких частот

Предусматривается возможность выбора уровня подъема низких частот - 0, 6, 9 или 12 дБ. Инструкции по подключению устройства для дистанционного управления подъемом низких частот к усилителю приведены в разделе “Схема соединений”.

Переключатель ВFC (переключатель частоты биения)

Переключатель ВFC находится в нижней части устройства. Если при прослушивании на вашей автомобильной магнитоле сигнала радиостанции диапазона средних / длинных волн слышится биение, измените положение переключателя ВFC при помощи стандартной отвертки.

Контроль предельной частоты

Если переключатель выбора ФНЧ/ФВЧ установлен в положение ФНЧ или ФВЧ, то Вы можете выбрать предельную частоту от 40 Гц до 500 Гц.

Переключатель LPF (фильтра низких частот)/HPF (фильтра высоких частот)

Установите переключатель LPF/HPF следующим образом в соответствии с типом динамика, подключенного к выходному разъему динамика и автомобильной магнитоле:

Переключатель LPF/HPF	Звуковой диапазон частот на выходе	Тип динамика	Примечания
LPF (Левый)	* — 40 Гц до 500 Гц	Низкочастотный динамик	Подключите низкочастотный динамик
OFF (центральный)	Широкополосный	Широкополосный	
HPF (Правый)	* 40 Гц до 500 Гц —	Широкополосный	Используйте, если вы хотите ослабить очень низкие частоты*, так как для используемых вами динамиков этот фильтр не требуется.

* Смотрите раздел “Контроль предельной частоты”.

Регулирование усиления

Если даже при прибавлении громкости автомобильной магнитолы, использующейся с данным усилителем мощности, уровень звука остается низким, поверните по часовой стрелке регулятор усиления. Если при прибавлении громкости происходит искажение звука, поверните регулятор усиления против часовой стрелки.

- При использовании магнитолы с разъемами RCA (стандартный выходной сигнал 500 мВ), установите эти регуляторы в положение NORMAL. При использовании автомобильной магнитолы Pioneer с разъемами RCA с максимальным выходным сигналом 4 В или выше, отрегулируйте уровень в соответствии с уровнем выходного сигнала автомобильной магнитолы.
- Если при использовании входных зажимов динамиков слышится слишком сильный шум, поверните регулятор усиления против часовой стрелки.

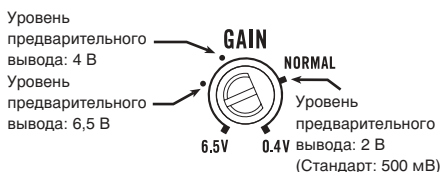
Переключатель входа

Возможен ввод от внешнего выходного разъема автомобильной магнитолы (выходной разъем низкочастотного динамика) или от выходного разъема динамика автомобильной магнитолы. Когда используется внешний выходной разъем (выход низкочастотного динамика) сдвиньте переключатель влево. Для соединений по инструкции, смотрите раздел “Схема соединений”. Когда используется выходной разъем динамика, сдвиньте переключатель вправо. В этом случае, необходимо использовать поставляемый провод входного разъема динамика со штекером шнура RCA. Подробно смотрите раздел “Использование входного разъема динамика”.

Регулирование Усиления должным образом

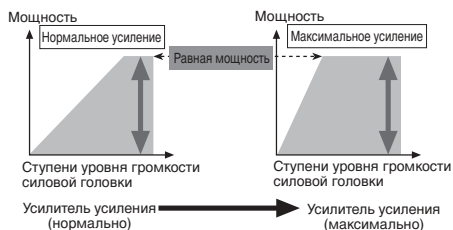
- Этот прибор оборудован защитной функцией, не допустить сбой в работе самого прибора и динамиков от слишком большого количества вывода, неправильного использования или неподходящей связи.
- Когда звуковой вывод в большом объеме и т.д., эта функция отключает звуковой вывод через несколько секунд. Но это не сбой в работе. Когда Вы уменьшите уровень громкости силовой головки, звуковой вывод будет восстановлен.
- Когда звуковой вывод отключен, контроль усиления этого прибора может быть неправильно установлен. Для обеспечения увеличения объема непрерывного звукового вывода силовой головки установите контроль усиления усилителя в подходящую позицию соответственно с максимальным выходным уровнем предварительного вывода силовой головки. Нет необходимости уменьшать уровень громкости силовой головки, а слишком высокий вывод может быть проконтролирован.
- Хотя Вы уменьшаете уровень громкости силовой головки и устанавливаете контроль усиления усилителя в подходящую позицию, а звук время от времени пропадает, пожалуйста, свяжитесь с ближайшей авторизированной PIONEER STATION.

Контроль усиления данного прибора



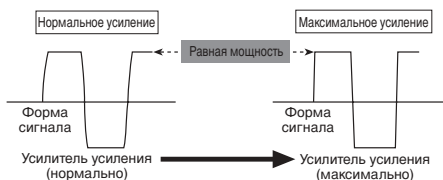
- Вышеприведенная иллюстрация показывает установку усиления на **NORMAL**.

Отношение между усилением усилителя и выходной мощностью силовой головки



- Если Вы повысите усиление усилителя на неправильный уровень, увеличится только искажение, а мощность увеличится незначительно.

Форма сигнала, когда выводится высокий уровень громкости контролем усиления усилителя



- С высоким выходом форма сигнала искажается, если Вы повысите усиление усилителя, то мощность изменится незначительно.

ОСТОРОЖНО!

- Отсоедините отрицательную (-) клемму батареи, чтобы не допустить короткого замыкания и повреждения устройства.
- Закрепите провода кабельными зажимами или липкой лентой. Для защиты проводов следует обмотать их липкой лентой в тех местах, где они соприкасаются с металлическими частями.
- Не располагайте провода в местах, подверженных воздействию высокой температуры, например в таком месте, где на них может действовать нагретый воздух из обогревателя. Нагревание может привести к повреждению изоляции, в результате чего может произойти короткое замыкание на корпус автомобиля.
- Убедитесь в том, что провода не мешают движущимся частям автомобиля, например, рычагу переключения коробки передач, ручному тормозу или механизму передвижения сидений.
- Не укорачивайте какие-либо провода. При укорачивании провода цепь защиты может не сработать в нужный момент.
- Никогда не подавайте электропитание на другое оборудование посредством снятия изоляции провода, по которому подается электропитание, и подключения к этому проводу. Пропускная способность провода по току будет превышена, что приведет к перегреву.
- Никогда не заменяйте перегоревший предохранитель предохранителем с большим номиналом. Использование неподходящего предохранителя может привести к перегреву и выделению дыма. Это также может привести к повреждению устройства и травмам, в том числе ожогам.

ОСТОРОЖНО!

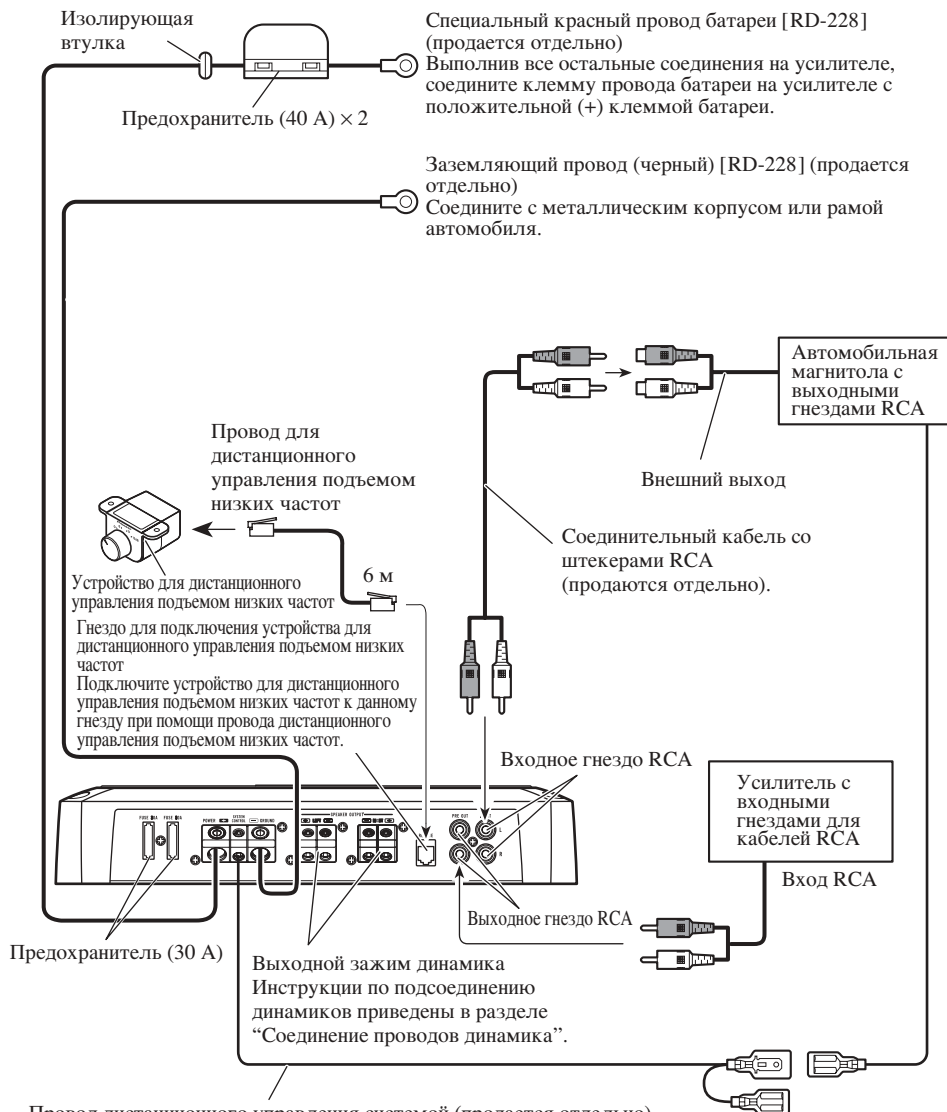
Инструкции по предупреждению повреждений и/или травм

- Никогда не заземляйте провод динамика непосредственно и не подключайте отрицательный (-) провод к нескольким динамикам.
- Данное устройство предназначено для автомобилей с батареей 12 вольт и отрицательным заземлением. Перед установкой устройства в транспортном средстве для отдыха, грузовом автомобиле или автобусе необходимо проверить напряжение батареи.
- Батарея может разрядится, если автомобильная магнитола продолжает работать в течение долгого времени при отключенном или работающем в холостом режиме двигателе. Не включайте автомобильную магнитолу, если двигатель отключен или работает в холостом режиме.
- Если провод усилителя для дистанционного управления системой соединен с клеммой источника питания через замок зажигания (12 В постоянного тока), усилитель всегда будет включаться при включении зажигания, независимо от того, включена автомобильная магнитола или нет. Поэтому батарея может разрядиться, если двигатель отключен или работает в холостом режиме.
- Подключаемые к усилителю динамики должны соответствовать нижеперечисленным стандартам. В случае несоответствия динамики могут загореться или из них может пойти дым. Это также может привести к повреждению динамиков. Полное сопротивление динамиков должно быть от 2 до 8 Ом для стереофонического режима и от 4 до 8 Ом для монофонического режима и других мостовых соединений.
- Отдельно продаваемый провод батареи следует разместить как можно дальше от проводов динамиков. Отдельно продаваемый провод батареи, провод заземления, провода динамиков и усилитель следует разместить как можно дальше от антенны, кабеля антенны и тюнера.

Канал динамика	Тип динамика	Мощность
Два канала	Низкочастотный динамик	Номинальная входная мощность: 150 Вт минимум
	Любой динамик, кроме низкочастотного	Максимальная входная мощность: 300 Вт минимум
Один канал	Низкочастотный динамик	Номинальная входная мощность: 600 Вт минимум
	Любой динамик, кроме низкочастотного	Максимальная входная мощность: 1 200 Вт минимум

Схема соединений

- Эта схема показывает соединения, используемые внешним выходным разъемом (выходной разъем низкочастотного динамика). Сдвиньте переключатель входа влево.
- Когда Вы соединяетесь с выходным разъемом динамика, соединения выполняются по схеме. Подробно смотрите раздел “Использование входного разъема динамиков”. В любом случае Вам необходимо выбрать переключатель входа. Подробно смотрите раздел “Настройка устройства”.



Провод дистанционного управления системой (продается отдельно)
Соедините вставную клемму данного провода с клеммой дистанционного управления на автомобильной магнитоле (SYSTEM REMOTE CONTROL). Клеммы-гнезда могут быть соединены с клеммой управления реле автомобильной антенны. Если на автомобильной магнитоле не предусмотрена клемма дистанционного управления системой, соедините вставную клемму с клеммой источника питания через замок зажигания.

Соединения беспаячных клемм

- Не подсоединяйте шнур, имеющий незащищенный провод с сердечником к силовым клеммам этого усилителя (Клемма источника питания, Клемма заземления, Клемма дистанционного управления системой). Отсоединение или поломка провода с сердечником могут стать причиной пожара или короткого замыкания.
- Так как провода разъединяются со временем, их необходимо периодически проверять и затягивать по необходимости.
- Не спаивайте или скручивайте концы переплетенных проводов.
- Закрепляйте, пока не удостоверитесь, что скрепили изоляционное покрытие провода.
- Используйте вспомогательный шестигранный гаечный ключ, чтобы затягивать и ослаблять присоединительный винт усилителя. Надежно прикрепите провод с присоединительным винтом. Однако, так как чрезмерное затягивание присоединительного винта Системы дистанционного управления имеет риск повреждения провода, будьте осторожны, не затягивайте чрезмерно, наблюдая состояние провода, когда затягиваете.

Соединение клеммы источника питания

- Мы рекомендуем, чтобы Вы использовали специальные красные провода [RD-228] для батареи и заземления, которые продаются отдельно. Подсоедините электрический провод батареи прямо к положительной клемме (+) батареи автомобиля, а провод заземления к кузову автомобиля.
- Рекомендованные диаметры проводов (AWG: Американский калибр проводов) следующие. Провод батареи и провод заземления и должны быть одинакового диаметра.
- Используйте провод сечением от 10 AWG до 20 AWG для провода системы дистанционного управления.

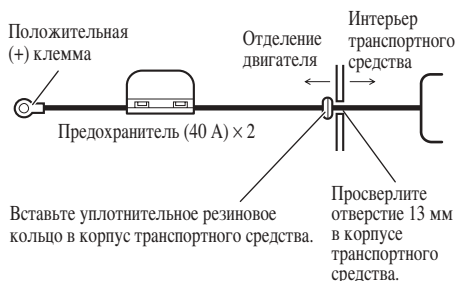
Диаметр Провода Батареи и Провода

Заземления

Длина провода	меньше чем 4,5 м	меньше чем 7,2 м	меньше чем 11,4 м
Диаметр провода	8 AWG	6 AWG	4 AWG

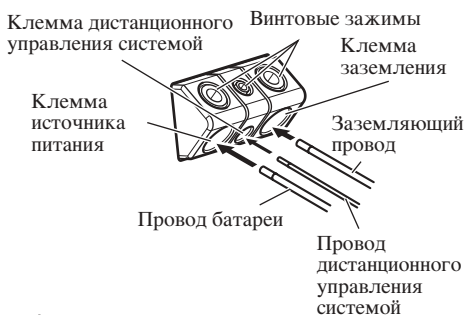
1. Проведите провод батареи из моторного отсека в салон автомобиля.

- Выполнив все остальные соединения на усилителе, соедините клемму провода батареи на усилителе с положительной (+) клеммой батареи.



2. Подсоедините провода к клеммам.

- Надежно закрепите провода в винтовых зажимах.



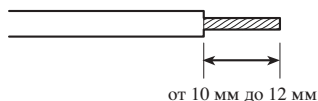
⚠ ПРЕДУПРЕЖДЕНИЕ

Неплотное закрепление провода батареи в винтовом зажиме клеммы может вызвать перегрев той части устройства, в которой установлены клеммы, что может привести к повреждению устройства и травмам, в том числе незначительным ожогам.

Соединение выходных зажимов динамика

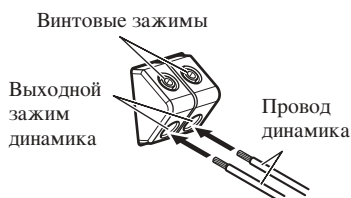
- Используйте провод сечением от 10 AWG до 16 AWG для провода динамика.

1. Оголите конец провода динамика, используя кусачки или лезвие, примерно от 10 мм до 12 мм.



2. Подсоедините провода динамиков к выходным зажимам динамиков.

- Надежно закрепите провода динамиков в винтовых зажимах.

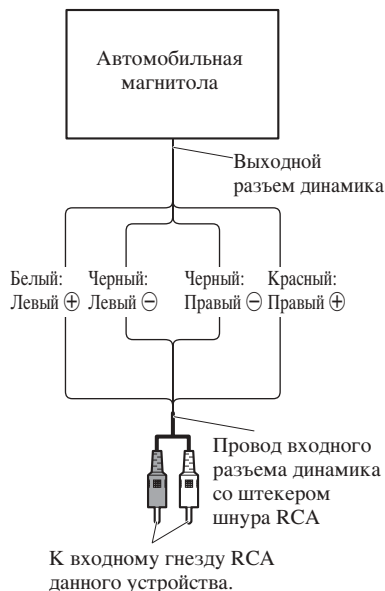


Использование входного разъема динамика

Присоедините выходные провода динамиков автомобильной магнитолы к усилителю, используя провод входного разъема динамика со штекером шнура RCA.

- Сдвиньте переключатель входа вправо (SP).

Схема соединений при использовании входного разъема динамика



- В результате присоединения выходных проводов динамиков автомобильной магнитолы к усилителю, на усилитель автоматически подается электроэнергия, когда автомобильная магнитола включена. В данном случае нет необходимости присоединять провод системы дистанционного управления.
- В случае, когда усилитель и главное устройство соединены с использованием входного провода динамика с штырем шнура RCA, мощность усилителя включается только когда усилитель начинает использоваться. Если два или более усилителей одновременно соединены в комбинированное устройство, соедините главное устройство и все усилители с проводом системы пульта дистанционного управления.

Примечание:

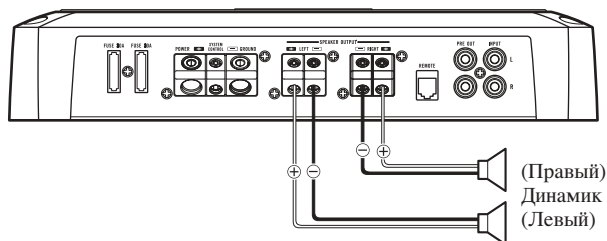
- Присоедините провод системы дистанционного управления, когда на усилитель не подается электроэнергия, тогда как автомобильная магнитола включена.

Соединение проводов динамика

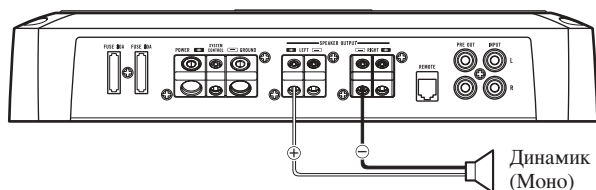
Динамики могут работать в двухканальном (стерео) или одноканальном (моно) режиме. Подключите провода динамиков в соответствии с выбранным режимом, как показано на нижеприведенных рисунках.

- Не подключайте вход RCA и входной разъем динамика одновременно.

Два канала (стерео)



Один канал (моно)



! ОСТОРОЖНО!

- При установке устройства необходимо выполнять следующие требования:
 - Не устанавливайте устройство в местах, где оно может травмировать водителя или пассажиров в случае резкого торможения.
 - Не устанавливайте устройство в таких местах, где оно может мешать водителю, например на полу перед сиденьем водителя.
- Провода не должны попадать в механизм передвижения сидений, так как это может привести к короткому замыканию.
- При просверливании отверстий для установки усилителя убедитесь в том, что за панелью не расположены какие-либо детали. Защитите от возможных повреждений все кабели и важное оборудование, например трубки топливной и тормозной системы и электропроводку.
- Установите нарезные винты таким образом, чтобы острия винтов не прикасались к каким-либо проводам. Это требование имеет очень важное значение для предотвращения обрыва проводов в результате вибрации автомобиля. Подобный обрыв может привести к возникновению пожара.
- НЕ УСТАНАВЛИВАЙТЕ усилитель в таких местах, где на него могут попадать какие-либо жидкости. Это может привести к поражению электрическим током. Кроме того, контакт с жидкостью может привести к повреждению усилителя и динамиков, выделению дыма и перегреву. При этом поверхность усилителя и подключенных к нему динамиков может нагреться и прикосновение к ней может привести к незначительным ожогам.
- Для правильной установки следует использовать компоненты, входящие в комплект поставки, в соответствии с приведенными инструкциями. В случае использования каких-либо компонентов, не входящих в комплект поставки, данные компоненты могут повредить внутренние части усилителя или отсоединиться, что приведет к отключению усилителя.
- Никогда не заменяйте перегоревший предохранитель предохранителем с ббльшим номиналом. Использование неподходящего предохранителя может привести к перегреву и выделению дыма. Это также может привести к повреждению устройства и травмам, в том числе ожогам.

! ОСТОРОЖНО!

Инструкции по предупреждению сбоев в работе и/или травм

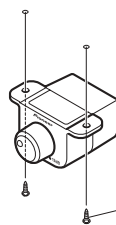
- Для того, чтобы обеспечить необходимое рассеивание тепла, генерируемого усилителем, во время установки обязательно выполните следующее:
 - Установите усилитель таким образом, чтобы над ним было достаточно открытого пространства для обеспечения адекватной вентиляции.

— Не накрывайте усилитель настилом или ковриком.

- НЕ УСТАНАВЛИВАЙТЕ усилитель в таких местах, где на него могут попадать какие-либо жидкости. Это может привести к поражению электрическим током. Кроме того, контакт с жидкостью может привести к повреждению усилителя и динамиков, выделению дыма и перегреву. При этом поверхность усилителя и подключенных к нему динамиков может нагреться и прикосновение к ней может привести к незначительным ожогам.
- Не устанавливайте усилитель на нестабильных участках, как например на доске, прикрывающей запасное колесо.
- Лучшее место для установки усилителя зависит от модели автомобиля. Усилитель должен быть закреплен на достаточно устойчивом месте.
- Сначала подсоедините провода временно и убедитесь в том, что усилитель и система работают должным образом.
- Установив усилитель, убедитесь в том, что он не препятствует доступу к запасному колесу, домкрату и инструментам.

Присоединение регулятора дистанционного управления подъема нижних частот

Присоедините с помощью самонарезающих винтов (3 мм × 10 мм) в легкодоступном месте, таком как под приборной панелью.



Самонарезающий винт (3 мм × 10 мм)

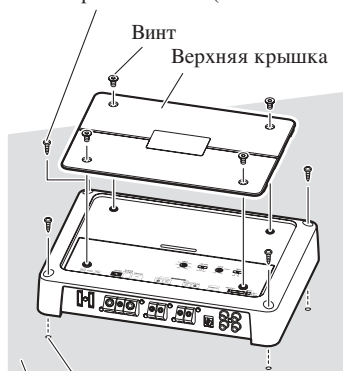
Пример установки усилителя на коврике или на раме автомобиля

1. Положите усилитель на место установки. Вставьте нарезные винты (4 мм × 30 мм), входящие в комплект поставки, в отверстия для винтов. Надавите на нарезные винты отверткой, чтобы оставить метки в тех местах, где должны быть расположены отверстия.
2. Просверлите отверстия диаметром 2,5 мм в отмеченных точках и установите усилитель, либо на настиле, либо непосредственно на раме автомобиля.

Возвращение верхней крышки на место

1. Выровняйте устройство и верхнюю крышку и вставьте винты.
 - Крышка должна быть установлена в нужном направлении, чтобы подходить к усилителю.
2. Затяните винты с помощью 4 мм шестиугольного гаечного ключа.

Нарезные винты (4 мм × 30 мм)



Просверлите отверстие диаметром 2,5 мм

Коврик или рама автомобиля

Источник питания	14,4 В постоянного тока (допустимое значение от 10,8 В до 15,1 В)
Система заземления	Отрицательная
Потребление тока	25 А (при непрерывной подаче электропитания, 4 Ω)
Среднее потребление тока*	8 А (4 Ω для двух каналов) 17 А (4 Ω для одного канала) 17 А (2 Ω для двух каналов)
Предохранитель	30 А × 2
Размеры	301 (ширина) мм × 57 (высота) мм × 213 (толщина) мм
Вес	3,4 кг (исключая электропроводку)
Максимальная выходная мощность	300 Вт × 2 (4 Ω) / 1 200 Вт × 1 (4 Ω)
Непрерывная выходная мощность	150 Вт × 2 (при 14,4 В, 4 Ω, 20 Гц до 20 кГц, общее гармоническое искажение 1,0%) 600 Вт × 1 (при 14,4 В, 4 Ω, 1 кГц, общее гармоническое искажение 1,0%) 300 Вт × 2 (при 14,4 В, 2 Ω, 1 кГц, общее гармоническое искажение 1,0%)
Полное сопротивление нагрузки	4 Ω (допустимое значение 2 Ω до 8 Ω) (Мостовое соединение: допустимое значение 4 Ω до 8 Ω)
Частотная характеристика	10 Гц до 50 кГц (+0 дБ, -3 дБ)
Соотношение сигнал/шум	100 дБ (сеть IEC-A)
Искажение	0,005 % (10 Вт, 1 кГц)
Разделение	70 дБ (1 кГц) 60 дБ (100 Гц до 10 кГц)
Фильтр низких частот	Граничная частота: 40 Гц до 500 Гц Крутизна характеристики затухания: -12 дБ/окт.
Фильтр высоких частот	Граничная частота: 40 Гц до 500 Гц Крутизна характеристики затухания: -12 дБ/окт.
Подъем низких частот	Частота: 50 Гц Уровень: 0, 6, 9, 12 дБ
Регулирование усиления	RCA: 400 мВ до 6,5 В Динамик: 1,6 В до 26 В
Максимальный уровень входного сигнала/ максимальное полное сопротивление	RCA: 6,5 В / 22 кΩ Динамик: 26 В / 90 кΩ

Примечание:

- Спецификации и конструкция могут быть изменены без предварительного уведомления в связи с постоянной работой по улучшению устройства.
- Данное устройство произведено в Китае.

Примечание:

В соответствии со статьей 5 закона Российской Федерации «О защите прав потребителей» и постановлением правительства Российской Федерации № 720 от 16.06.97 компания Pioneer Europe NV оговаривает следующий срок службы изделий, официально поставляемых на российский рынок.
Автомобильная электроника: 6 лет
Другие изделия (головные телефоны, микрофоны, и т.п.): 5 лет

*Среднее потребление тока

- Среднее потребление тока приблизительно равно максимальному потреблению тока данным устройством при поступлении в него звукового сигнала. Данное значение следует использовать для расчета общего потребления тока несколькими усилителями мощности.

<http://www.pioneer.eu>

Visit **www.pioneer.co.uk** (or **www.pioneer.eu**) to register your product.

Visite **www.pioneer.es** (o **www.pioneer.eu**) para registrar su producto.
Zum Registrieren Ihres Produktes besuchen Sie bitte **www.pioneer.de** (oder **www.pioneer.eu**).

Visitez **www.pioneer.fr** (ou **www.pioneer.eu**) pour enregistrer votre appareil.

Si prega di visitare il sito **www.pioneer.it** (o **www.pioneer.eu**) per registrare il prodotto.

Bezoek **www.pioneer.nl** (of **www.pioneer.eu**) om uw product te registreren.

Посетите **www.pioneer-rus.ru** (или **www.pioneer.eu**) для регистрации приобретенного Вами изделия.

PIONEER CORPORATION

4-1, MEGURO 1-CHOME, MEGURO-KU, TOKYO 153-8654, JAPAN

Корпорация Пайонир

4-1, Мегуро 1-Чоме, Мегуро-ку, Токио 153-8654, Япония

PIONEER ELECTRONICS (USA) INC.

P.O. Box 1540, Long Beach, California 90801-1540, U.S.A.

TEL: (800) 421-1404

PIONEER EUROPE NV

Haven 1087, Keetberglaan 1, B-9120 Melsele, Belgium

TEL: (0) 3/570.05.11

PIONEER ELECTRONICS ASIACENTRE PTE. LTD.

253 Alexandra Road, #04-01, Singapore 159936

TEL: 65-6472-7555

PIONEER ELECTRONICS AUSTRALIA PTY. LTD.

178-184 Boundary Road, Braeside, Victoria 3195, Australia

TEL: (03) 9586-6300

PIONEER ELECTRONICS OF CANADA, INC.

300 Allstate Parkway, Markham, Ontario L3R 0P2, Canada

TEL: 1-877-283-5901

TEL: 905-479-4411

PIONEER ELECTRONICS DE MEXICO, S.A. de C.V.

Bldv.Manuel Avila Camacho 138 10 piso

Col.Lomas de Chapultepec, Mexico, D.F. 11000

TEL: 55-9178-4270

Published by Pioneer Corporation.

Copyright © 2008 by Pioneer Corporation.

All rights reserved.

Publication de Pioneer Corporation.

Copyright © 2008 Pioneer Corporation.

Tous droits de reproduction et de traduction réservés.