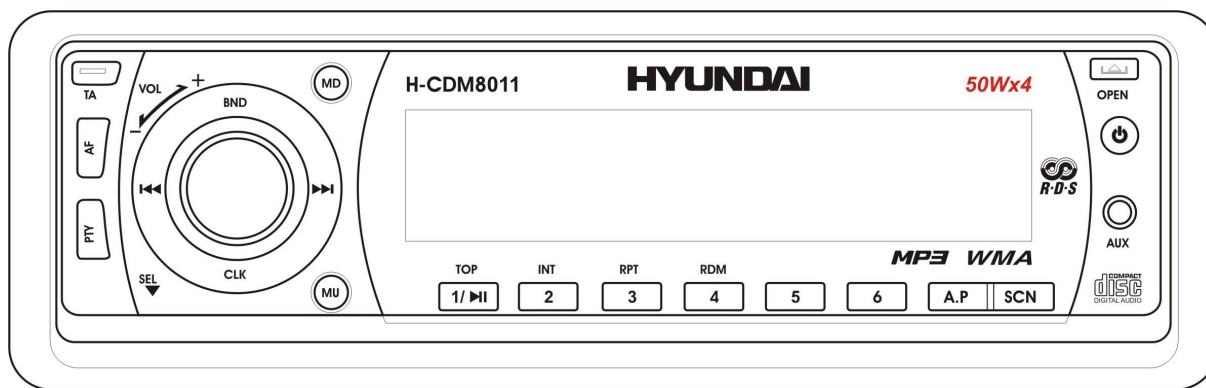


HYUNDAI

H-CDM8011



CD/MP3 RECEIVER
Instruction manual

CD/MP3-РЕСИВЕР
Руководство по эксплуатации

Dear customer!

Thank you for purchasing our product. For safety, it is strongly recommended to read this manual carefully before connecting, operating and/or adjusting the product and keep the manual for reference in the future.

Table of contents

Table of contents	2
Important safeguards	3
Installation/Connections	4
Panel controls	7
General operations.....	9
Digital tuner operations	13
Disc operations.....	16
MP3 overview	19
Anti-Theft System.....	21
Handling discs	22
Cleaning	22
Troubleshooting guide	23
Specification	24

Important safeguards

- Read carefully through this manual to familiarize yourself with this high-quality sound system.
- Disconnect the vehicle's negative battery terminal while mounting and connecting the unit.
- When replacing the fuse, be sure to use one with an identical amperage rating. Using a fuse with a higher amperage rating may cause serious damage to the unit.
- DO NOT attempt to disassemble the unit. Laser beams from the optical pickup are dangerous to the eyes.
- Make sure that pins or other foreign objects do not get inside the unit; they may cause malfunctions, or create safety hazards such as electrical shock or laser beam exposure.
- If you have parked the car for a long time in hot or cold weather, wait until the temperature in the car becomes normal before operating the unit.
- DO NOT open covers and do not repair yourself. Consult the dealer or an experienced technician for help.
- Make sure you disconnect the power supply and aerial if you will not be using the system for a long period or during a thunderstorm.
- Make sure you disconnect the power supply if the system appears to be working incorrectly, is making an unusual sound, has a strange smell, has smoke emitting from it or liquids have got inside it. Have a qualified technician check the system.
- The unit is designed for negative terminal of the battery, which is connected to the vehicle metal. Please confirm it before installation.
- Do not allow the speaker wires to be shorted together when the unit is switched on. Otherwise it may overload or burn out the power amplifier.
- Do not install the detachable panel before connecting the wire.

Note:

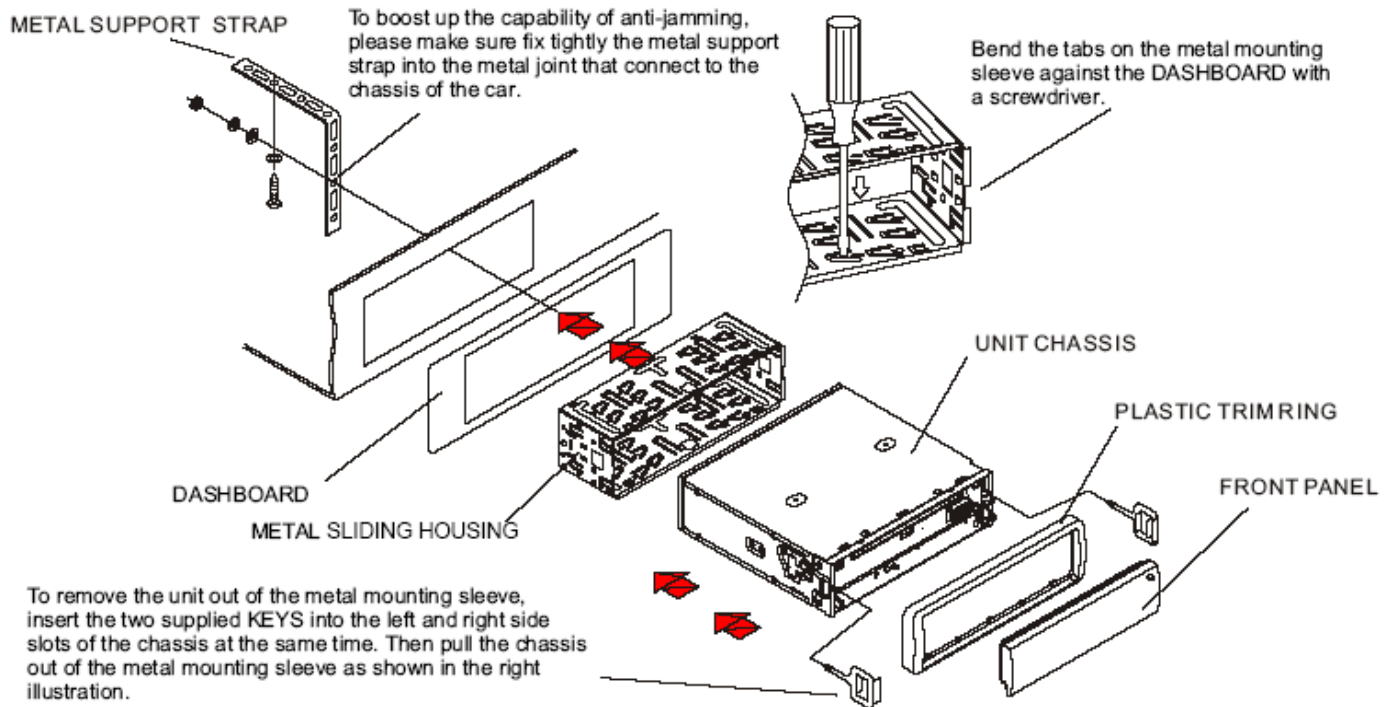
- In addition to normal audio CD, this unit can play CD-R and CD-R/W disc that contain audio tracks as well; however, depending on the conditions of the recording equipment, recording program or the CD-R as well as CD-R/W disc itself, some CD-R or CD-R/W may not play.
- When making music CD with CD-R or CD-R/W disc, too high recording speed may result in poor signal quality and therefore, it is recommend- able to select 24x or lower speed for CD-R recording and 4x or lower speed for CD-R/W recording.

Installation/Connections

First complete the electrical connections, and then check them for correctness.

Installation way

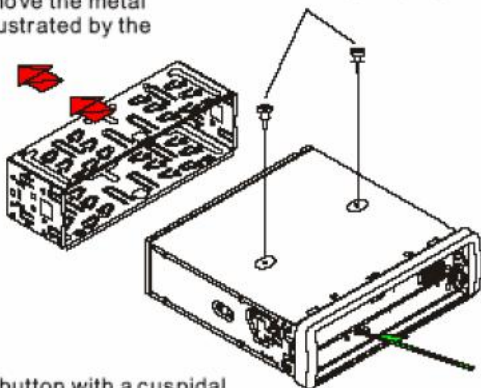
It is an anti-theft installation way. The chassis wear a metal sliding housing. Please have the wiring connection of the power supply, speakers and antenna as for the requirement of the manual, and then install the metal sliding housing into the car according to the diagram.



Before mounting and operating the CD player, remove the metal sliding housing illustrated by the arrows.

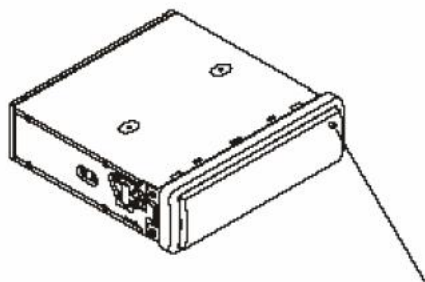
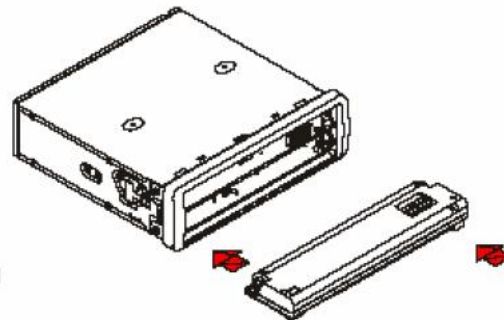
Remove the two screws that fix the CD deck mechanism player during transportation before mounting the player.

To attach the removable faceplate back to the unit chassis, firstly join the left guide block hole to the left cylinder, then join the right guide block hole and the right cylinder, finally flip the front panel up to combine with chassis.



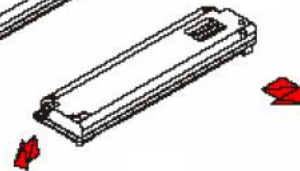
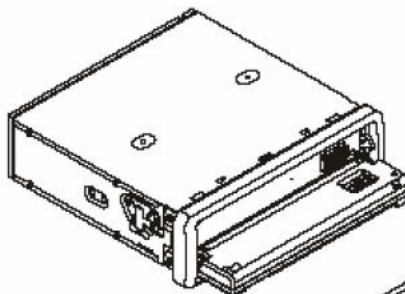
Push this reset button with a cuspidal object to renovate the distorted program once the program is distorted.

RESET BUTTON

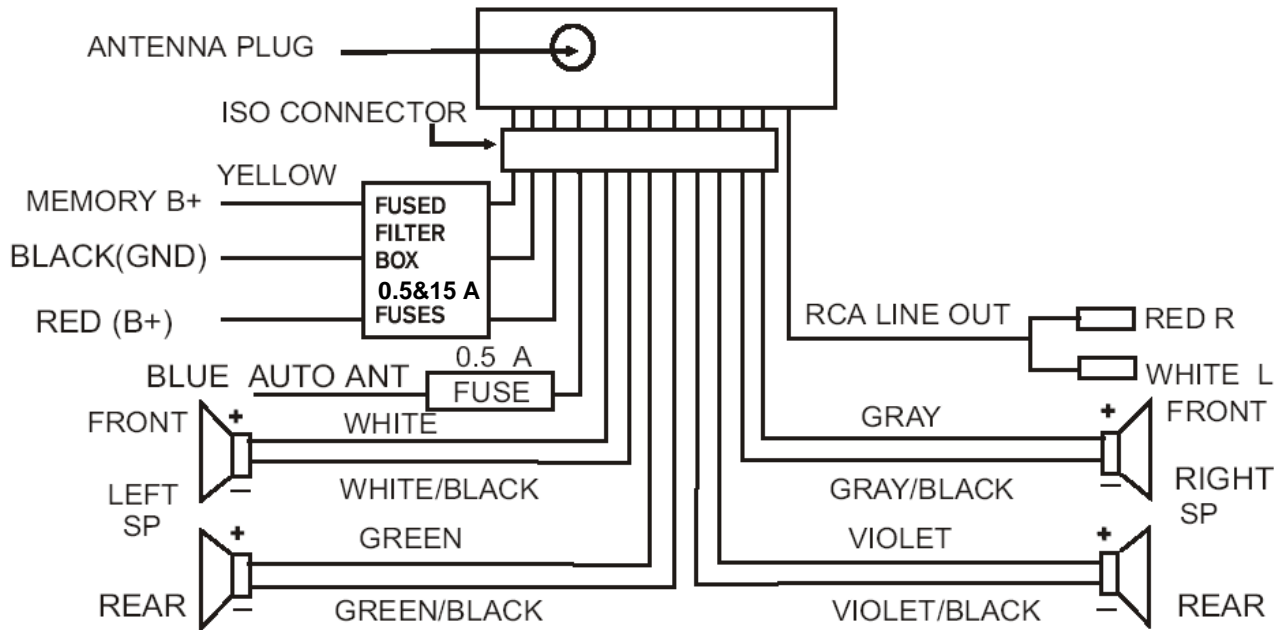


Before inserting or ejecting disc, press the OPEN button to flip down the faceplate.

To remove the front panel, after flip down the front control panel, push it leftwards firstly, then draw the right of the front panel outwards.



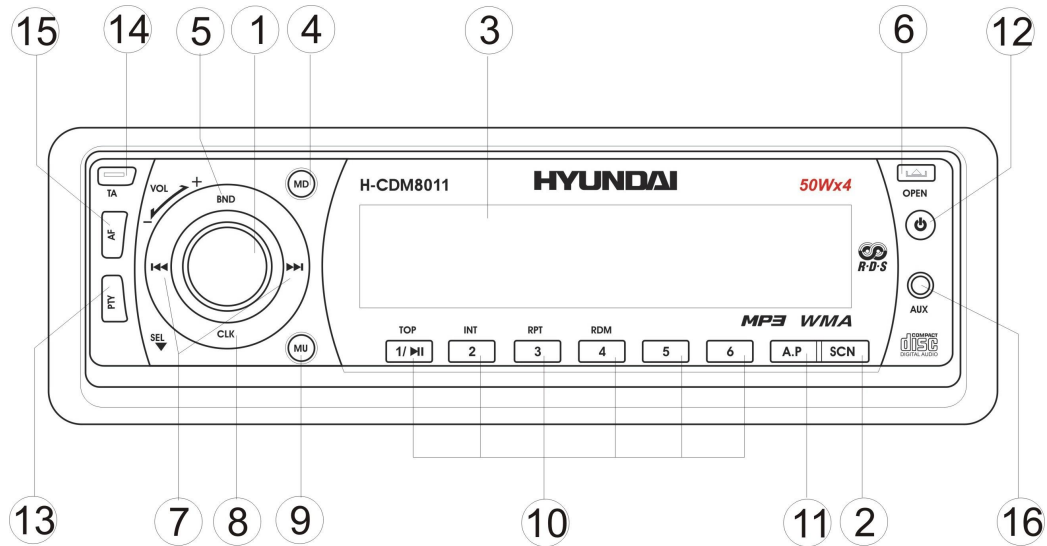
Speaker connection



Notes:

- In spite of having any kinds of speaker system, must use 4 ohms impedance of speaker to reduce the distortion during high volume level.
- Prohibit to make the conductors of auto antenna and ground touch with each other.

Panel controls



1. SEL button and VOLUME Knob

Rotate it to adjust the volume level.

Press it to enter the characteristics list.

2. SCN button

In Radio mode, press the SCN button to scan the radio frequency. If a valid signal has detected, the current frequency will be hold for 5 seconds, then press SCN button again to stop scan and remain the current frequency. Otherwise, the radio will go on to scan the other radio frequency five seconds later.

Press the button to enter the characteristics list.

3. LCD (LIQUID CRYSTAL DISPLAY)

4. MD button

Press it to select RADIO, CD or AUX mode.

5. BND button
Press it repeatedly to select your desired radio band during RADIO mode.
6. OPEN button
Press it to flip down the front panel and you can insert the disc into the CD compartment or press the EJ button to eject the disc from the disc compartment.
7. ⏮/⏭ buttons
In disc mode press it to go to previous/next track. Press and hold to start fast backward/forward playback. Release to start normal playback.
8. CLK button
Press it to set the time.
9. MU button
Press the button to eliminate or resume the sound immediately.
10. PRESET STATION [1-6] buttons; PLAY/PAUSE/TOP, INT, RPT, RDM buttons
In MP3/WMA mode 5 and 6 buttons are assigned as 10 TRACK up/down when normal play.
11. A.P button
Press this button to activate Auto-storage function or Preset memory scan function.
12. POWER button
Press any button except the OPEN button to turn on the unit, press POWER button to turn off the unit.
13. PTY (Program Type) button
Press it to turn the PTY function ON or OFF.
14. TA (Traffic Announcement) button
Press it to turn the TA function ON or OFF.
15. AF (Alternative Frequencies) button
Press it to turn the AF function ON or OFF.
16. AUX input

General operations

Reset the unit

Operating the unit for the first time or after replacing the car battery, you must reset the unit.

Press OPEN button and remove the front panel, then press the RESET button on the inner panel to restore the unit to the original factory settings.

Power button

Press any button (except OPEN button) to turn on the unit.

Press POWER button to turn off the unit.

Mode setting

Press the MD button to change playing mode in a sequence: RADIO => CD (if there is a disc in unit) => AUX.

Volume control

Rotate the VOL knob to adjust volume level.

Turning the sound off

When the power is on press the MU button to turn the sound off. Press it again or rotate VOL knob to turn the sound on.

LOUD mode

Press and hold for 2 seconds the TA button to choose LOUD function ON or OFF.

When the volume is in half level and the Loud mode is ON, it will enhance the bass sound effect immediately.

Setting the clock

- To show the time:
 - In Radio mode when RDS data is received press the CLK button to select the mode: PS NAME => FREQUENCY => PTY => CLOCK.
 - In Radio mode when RDS data is not received press the CLK button to select the item: FREQUENCY => PTY NONE => CLOCK.
 - In Disc mode: Press the CLK button shortly to display time for 5 seconds.
- To adjust the time:
 - In Clock mode press the CLK button and hold for 2 seconds. Time will start blinking.
 - Rotate the VOL knob clockwise to adjust minute.
 - Rotate the VOL knob anticlockwise to adjust hour.
 - Press CLK button again to save setting.

Setting the sound characteristics

Press shortly and repeatedly the SEL button to select the audio setting: VOL => BASS => TREBLE => BALANCE => FADER.

Rotate the VOL knob to adjust each setting.

Note:

- If turning off the power all the settings of each mode will be saved.
- If you don't adjust VOL knob within 3 seconds after selecting the desired setting, the unit will automatically return to the current mode being displayed.

Setting other characteristics

Press and hold for 2 seconds the SEL button to enter the setting mode.

Press the SEL button or ►► button to select the setting: EQ => CLK 12H/24H => CT => STEREO => LO/DX => AREA => VOL PGM => BEEP => CLK ON => SEEK RDS => TA SEEK => TA VOL => MASK => REG.

Rotate the VOL knob to set the setting. Press SEL to confirm the setting.

- EQ mode: rotate the VOL knob to choose the equalizer mode: OFF, FLAT, CLAS, ROCK, POP.
- CLK 12H/24H: rotate the VOL knob to choose the time mode: 12H or 24H.
- CT mode: rotate the VOL knob clockwise to set minutes, anticlockwise to set hour.
- STEREO mode: rotate the VOL knob to choose the mode: Stereo or Mono.
- LO/DX mode: rotate the VOL knob to choose tuner sensitivity local or distant.
- AREA mode: rotate the VOL knob to choose the area: Europe, Latin, OIRT (option), Austria, Asia, USA.
- VOL PGM mode: VOL PGM 12 will be displayed by default. Rotate the VOL knob to adjust the VOL PGM value. If this value is more than the current volume value, the current volume value will be reserved. If the current volume value is more than this value, the current volume value will not be reserved and next time you turn on the unit the volume level will be equal to the VOL PGM value.
- BEEP mode: rotate the VOL knob to choose BEEP ON or OFF mode.
- CLK ON mode: rotate the VOL knob to choose CLK ON or OFF mode. When CLK is ON, when the power is off the time will be on display.
- SEEK RDS mode: rotate the VOL knob to choose RDS or ALL. If ALL is selected during the Seek RDS tuning mode or AF Search mode, the unit will stop at all radio station including Non RDS station regardless AF and TA is switches on. If RDS is selected and the AF is on during the Seek RDS tuning mode or AF Search mode, the unit will stop at only RDS station.
- TA SEEK mode: rotate the VOL knob to choose TA SEEK or TA ALARM.
TA seek: when newly tuned station does not receive TP information for 60 seconds, the radio retunes to next station which has not the same station (PI) as the last station, but has the TP information.

When TP information gets lost at the current station for retune time which is set by retune time (40 seconds), the radio start to retune to next same PI station. When same PI station does not catch in 1 cyclic search, the radio retunes to next station with TP information.

TA alarm: when this mode is selected, any automatic retune mode is not activated. Only double beep sound (ALARM) is output.

When newly tuned station does not have TP information for 40 seconds, double beep comes out and the display will show LOST TP TA, but the retune mode won't be activated.

- **TA VOL mode:** rotate the VOL knob to adjust the TA volume level: 0-40. When TA function is activated, if a TA program is tuned in at the volume level set regardless of the volume of the other source at the time. The default level is 18.

Note: when the unit tuned into a TA program, the volume level increase/decrease gradually from the system volume.

- **REG mode:** rotate the VOL knob to choose REG ON (LOCAL) or OFF (DISTANT) mode. Local mode improves reception in some areas where the signal is too strong.

If ON is selected when the AF search or PI seek, it will be implemented to station which have all PI codes are the same as current station. If OFF is selected when AF search or PI seek, the regional code in the format PI code is ignored, and a regional station will be possible received.

- **MASK mode:** rotate the VOL knob to choose MASK DPI or MASK ALL mode

MASK DPI mode: Only the AF which has different program identification is masked.

MASK ALL mode: The AF which has different program identification and NO RDS signal with high field strength is masked.

Digital tuner operations

Note: RDS (Radio Data System) service availability varies with areas. Please understand if RDS service is not available in your area, the following service is not available, either.

Band selection

Press the BND button to select a band: FM1, FM2, FM3, AM1, AM2. Display will show the wave band, frequency.

Automatic/ Manual tuning

Automatic tuning: Press the ◀▶ button to start auto searching the station. When the ▶▶ button is pressed, the station is sought in the direction of higher frequencies. If the ◀◀ button is pressed, the station is sought in the direction of lower frequencies. It will play when finds the station.

Manual tuning: Press and hold for 2 seconds the ◀▶ button to start manual searching the station. If during 5 seconds there is no operation the unit will go to auto mode automatically.

Auto store

You can store up to a total of 30 radio stations in the memory (18 FM, 12 AM), manually or automatically.

- To store a station:
 - Select a band (if needed)
 - Select a station by ◀▶.
 - Hold a Preset button (1-6) which you want to store the station for at least 2 seconds.
- To recall a station:
 - Select a band (if needed)
 - Press a Preset button (1-6) briefly to recall the stored station.

Preset scan function

Press the A.P button to scan all preset stations in the memory of the current band and stay on each memory stations

for about 5 seconds. To stop preset scan, press this button again.

Auto memory store function

Press the A.P button on the panel and hold for 2 seconds to enter auto store mode. The radio will automatically store the 6 strongest available stations to the 6 preset memories of the current band. To stop auto store, press this button again.

RDS function

There are the PI, PS, TP, PTY, TA, AF DATA.

PI: Program Identification Code – for identifying code.

PS: Program Service Name Broadcast – station name data expressed in alphanumerically character.

TP: Traffic Program Identification – for traffic information broadcasting station.

TA: Traffic Announcement Identification – showing traffic information is being transmitted or not.

AF: Alternative frequencies – frequency list of broadcasting station transmitting the same program.

TA (Traffic Announcement) function

Press the AF button briefly to switch on/ off mode. When the mode is on symbol “AF” will appear on the display.

If the symbol is blinking, the mode is on, but there is no RDS signal.

Note: The tuner will return to Alternative Frequencies whenever the reception signals getting worse.

“Alarm” will be displayed when an emergency broadcasting is received. Meanwhile sound output level will be adjusted to the preset output level automatically when the volume control is set at minimum.

PTY (Program Type) function

Press the PTY button to enter PTY mode.

Rotate VOL knob to select the music type the PTY program: NEWS, AFFAIRS, INFO, SPORT, EDUCATE, DRAMA, CULTURE, SCIENCE, VARIED, POP M, ROCK M, EAST M, LIGHT M, CLASSIC, OTHER M,

WEATHER, FINANCE, CHILDREN, SOCIAL, RELIGION, PHONE IN, TRAVEL, LEISURE, JAZZ M, COUNTRY M, NATION M, OLDIES M, FOLK M, DOCUMENT, TEST, ALARM.

Note: While selecting PTY engagement, its selection is implemented by preset button as described in notes.

When PTY is selected press the SEL button, the radio starts to search corresponding PTY information and stops if the corresponding PTY information is detected. If corresponding PTY information is not found, normal radio reception is resumed.

AF (Alternative Frequencies) function

Press the TA button briefly to select the TA mode on/ off. Traffic announcement interrupts CD play or radio listening when broadcast. To interrupt traffic announcement press the TA button short without switching off the TA mode. The set will return to the previous operating mode.

EON (Enhanced Other Networks)

Press the AF button and hold for 2 seconds to turn the EON function on.

When EON data is received, the EON indicator lights and the TA and AF functions are enhanced.

TA: Traffic information can be received from the current station or stations in other network.

AF: The frequency list of preset RDS stations is updated by EON data. EON enables the radio to make fuller use of RDS information. It constantly updates the AF list of preset stations, including the one that currently tuned into. If you preset a station around the area at your home, you will later be able to receive the same station at an alternative frequency, or any other station serving the same program, EON also keeps track of locally available TP stations for quick reception.

Disc operations

Discs for playback

- This unit can play disc types: CD/CD-R/-RW.
- Compatible with formats: MP3/WMA/CDDA.

Loading a disc

1. Turn the power on.
2. Press the OPEN button on the panel to flip it down.
3. Insert the disc with the printed side facing upward into the slot.
4. Close the front panel.
5. To eject the disc at first press the OPEN button to open the front panel.
6. Press the EJECT button on the base to eject the disc.
7. Close the front panel.

Playing/ pausing

To ensure good system performance, wait until the unit finishes reading the disc information before proceeding. After inserting the disc playback will start automatically. Press the PLAY/PAUSE/TOP button to go into pause mode. In pause mode press it again to resume the playback. Press it and hold for 2 seconds to play the first track.

Playing the previous/ next track

During disc playback press the ►► button to start next track playback.

Press the ◀◀ button to move back to the beginning of the current track. Press it twice to move to the beginning of the previous track.

Fast-forward/ fast-backward playing

Press and hold the ◀◀/▶▶ buttons to start fast playing in backward or forward direction.

Repeat playback

During CD playback press the RPT button to start repeat playback. Press again to cancel.

During MP3/WMA playback press it and hold for 2 seconds to start repeat playback of tracks in current folder. Press again to cancel.

Random playback

During disc playback press the RDM button to start random playback. Press again to cancel.

During MP3/WMA playback press it and hold for 2 seconds to start random playback of tracks in current folder. Press again to cancel.

Intro playback

You can play the beginning of every track for 10 seconds in sequence. Press the INT button to start intro play. Press again to cancel.

Search mode

MP3/WMA track number search

Press BND button once, the LCD will display TRACK.

Rotate the VOL knob or press the SEL button to enter the number select mode.

Rotate the VOL knob to select the desired track number. Press SEL to start playback of the desired track.

MP3/WMA directory search

Press BND button twice, the LCD will display NAVIGA.

Rotate the VOL knob or press the SEL button to enter the navigate search mode.

Rotate the VOL knob to select the desired track or directory on the disc. To enter the selected directory, press SEL button. Rotate the VOL knob to select the desired track.

Press SEL to start playback of the desired track.

ID3 tags mode

Press A.P button repeatedly to show the Folder name, File name, Music, Artist, Album name on the display

If the current track contains relevant ID3 tag information (version 1.0/2.0), the Music, Artist, Album name will be shown on the display.

MP3 overview

- MP3 is short for MPEG Audio Layer 3 and refers to an audio compression technology standard.
- This product allows playback of MP3 files on CD-ROM, CD-R or CD-RW discs.
- The unit can read MP3 files written in the format compliant with ISO 9660. However it does not support the MP3 data written by the method of packet write.
- The unit can not read an MP3 file that has a file extension other than “.mp3”.
- If you play a non- MP3 file that has the “.mp3” extension, you may hear some noise.
- In this manual, we refer to what are called “MP3 file” and “folder” in PC terminology as “track” and “album”, respectively.
- Maximum number of directory level is 8, including the root directory. Maximum number of files and folders per disc is 256.
- The unit may not play tracks in the order of Track numbers.
- The unit plays only the audio tracks if a disc contains both audio tracks and MP3 files.
- When playing a disc of 8 kbps or “VBR”, the elapsed playing time in the display window will not be correct and also the intro play may not function properly. “VBR”: Variable Bit Rate.
- The unit supports the playback of WMA files. The playback of ID3 tags for WMA format is not guaranteed, it depends on versions and availability of Cyrillic alphabet.
- WMA (Windows Media Audio) – music data compression format, created by Microsoft Corporation. This format uses coding algorithm for compression of initial audio-record, greatly decreasing the file size, but, saving the good sound quality even when the bit rate is low (for example, 64 Kbit/s).
- Remember that the unit may not play the tracks in order they are written on disc.

Notes on creating your own CD-R or CD-RW containing MP3 files:

- To enjoy high quality sound, we recommend converting to MP3 files with a sampling frequency of 44.1 kHz and a fixed bit rate of 128 kbps.
- DO NOT store more than 448 MP3 files per disc.
- For ISO 9660 - compliant format, the maximum allowable depth of nested folders is 8, including the root directory (folder).
- When CD-R disc is used, playback is possible only for discs, which have been finalized.
- Make sure that when MP3 CD-R or CD-RW is burned that it is formatted as a data disc and NOT as an audio disc.
- You should not write non-MP3 files or unneeded folders along with MP3 files on the disc otherwise it takes a long time until the unit starts to play MP3 files.
- With some CD-R or CD-RW media, data may not be properly written depending on its manufacturing quality. In this case, data may not be reproduced correctly. High quality CD-R or CD-RW disc is recommended.
- Up to 16 characters are displayed for the name of an Album or a Track. ID3TAG version 1.x is required.
- Note that the unit may not play Tracks in the order that you wrote them to the disc.

Anti-Theft System

This unit is equipped with a slide-down detachable and mask panel. Panel can be detached and taken with you, helping to deter theft.

Removing the panel

1. Press POWER button to switch off the power of the unit.
2. Press OPEN button to flip down the panel.
3. Push it leftwards firstly, then draw the right of the front panel outwards to remove it.
4. Place the panel into the case and take it with you when you leave the car.

Install the panel

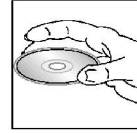
1. Firstly join the left guide block hole to the left cylinder, then join the right guide block hole and the right cylinder.
2. Flip the front panel up to combine with chassis.
3. Check the panel was fasten or not before you operation.

Remove the unit

1. Remove the panel and the trim plate.
2. Insert both T-Keys into hole in front of the set until they lock.
3. Pull out the unit.

Handling discs

- Dirty, scratched or warped discs may cause skip ping or noise.
- Handle the disc only by the edges. To keep clean do not touch its surface.
- Discs should be stored in their cases after use to avoid scratches.
- Do not expose discs to direct sunlight, high humidity, high temperature or dust.
- Prolonged exposure to extreme temperature can warp the disc (such as leaving the discs in your car during summertime).
- Do not stick or write anything on either side of disc. Sharp writing instruments, or the inks used in some felt-tip pens, may damage its surface.
- DO NOT touch the unlabeled side. DO NOT attach any seal, label or data protection sheet to either side of a disc.



Cleaning

Cleaning the cabinet and panel

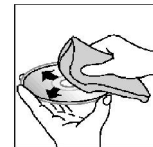
Wipe with a soft cloth. If the cabinet is very dampen (not dropping wet) the cloth with a weak solution of soapy water, and then wipe clean.

If the control panel is dirty, wipe off the dirt with soft, dry cloth only. And use a cotton swab soaked in isopropyl alcohol to clean the socket on the back of the control panel.

Cleaning discs

Fingerprints should be carefully wiped from the surface of disc with a soft cloth. Unlike conventional records, compact discs have no grooves to collect dust and macroscopic dirt, so gently wiping them with a soft cloth should remove most particles. Wipe in a straight motion from the center to the edge.

Never use thinner benzine, record cleaner or anti static spray on a compact disc. Such chemicals can damage its plastic surface.



Troubleshooting guide

Symptom	Cause	Solution
General No power	The car ignition is not on. The fuse is blown.	If the power supply is properly connected to the car accessory switch the ignition key to "ACC". Replace the fuse.
Disc Disc cannot be loaded.	Presence of disc inside the player.	Remove the disc in the player then put a new upward.
Disc cannot be read.	Inserting the disc in upside down. Compact disc is extremely dirty or defective. Temperature inside the car is too high.	Insert the compact disc with the label facing upward. Clean the disc or try to play a new one. Cool off until the ambient temperature returns to normal.
No sound	Volume is in minimum. Wiring is not properly connected.	Adjust volume to a desired level. Check wiring connection.
The operation keys do not work.	The built-in microcomputer is not operating properly due to noise. Front panel is not properly fix into its place.	Press the power button for about 10 seconds to reset the unit
Sound skips.	The installation angle is more than 30 degrees. The disc is extremely dirty or defective.	Adjust the installation angle to less than 30 degrees. Clean the compact disc/try to play a new one.
The radio does not work, the radio station automatic selection does not work.	The antenna cable is not connected the signals are too weak.	Insert the antenna cable firmly select a station manually.

Specification

General.	
Power supply:	12 V DC
Current consumption	max. 15A
Maximum power output:	50Wx4 channels
Fuse:	15A
Dimensions (W x H x D)	178 x 50 x 165 mm
FM Stereo Radio. Frequency range:	87.5 -108.0 MHz
Usable sensitivity:	3 uV
I.F. Frequency:	10.7 MHz
AM Section	
Frequency range:	522 kHz-1620 kHz
Usable sensitivity:	40 dB
I.F. Frequency:	450 kHz
Disc Player. System:	Compact disc audio system No of quantization bits 1 bit.
Usable disc:	CD/ CD-R/ CD-RW/ MP3/WMA
Signal format:	Sampling frequency 44.1 kHz
Frequency characteristics:	20-100 Hz \leq 5 dB 10-20 kHz \leq 5 dB
Signal to noise CD:	50 dB (1kHz)
Number of channels:	2 stereo
Line out. Output:	CD max 2000 mV

Specifications are subject to change without notice. Mass and dimension are approximate.

Уважаемый покупатель!

Благодарим Вас за покупку нашего изделия. Для обеспечения безопасности рекомендуется тщательно изучить настоящее руководство перед подключением, эксплуатацией и/или регулировкой изделия, и сохраняйте руководство для использования в будущем.

Содержание

Содержание	25
Меры предосторожности	26
Установка / подключения.....	27
Органы управления	30
Основные операции	33
Цифровой тюнер	38
Воспроизведение дисков.....	42
Обзор MP3.....	45
Система защиты от кражи	47
Обращение с дисками	48
Чистка и уход.....	48
Руководство по устранению неисправностей	49
Технические характеристики.....	50

Меры предосторожности

- Тщательно изучите настоящую инструкцию, чтобы ознакомиться с высококачественной аудиосистемой.
- При установке и подключении изделия отключите отрицательную клемму аккумулятора автомобиля.
- При замене предохранителя, убедитесь, что вы устанавливаете предохранитель с тем же номиналом. Используя предохранитель с повышенным значением тока, можно причинить значительные повреждения изделию.
- Не пытайтесь разбирать изделие. Лазерные лучи, исходящие из блока оптической головки считывания информации с компакт-диска, опасны для глаз.
- Убедитесь, что шпильки или другие посторонние предметы не попали внутрь изделия. Они могут вызвать сбой в работе или стать причиной опасности, такой как поражение электрическим током или лазерным лучом.
- Если вы ставите автомобиль на стоянку на длительное время в жаркое или холодное время года, подождите, пока температура в автомобиле не станет нормальной, перед тем как включать изделие.
- НЕ открывайте крышки и не проводите ремонт самостоятельно. Обратитесь к дилеру или квалифицированному персоналу
- Убедитесь, вы отключаете источник питания и антенну, если вы не будете пользоваться системой в течение длительного времени или во время грозы.
- Убедитесь, что вы отключаете источник питания, если обнаружена неправильная работа системы, система издаёт необычные звуки, запах, выделяет дым или внутрь ее попала жидкость. Проведите квалифицированный технический осмотр системы.
- Прибор разработан так, чтобы отрицательный вывод аккумулятора был подключен к корпусу транспортного средства. Пожалуйста, убедитесь в этом перед установкой.
- Не позволяйте проводам динамиков касаться друг друга при включении прибора. В противном случае, может быть перегружен или выйти из строя усилитель питания.
- Не устанавливайте съемную панель перед подключением кабеля.

Внимание:

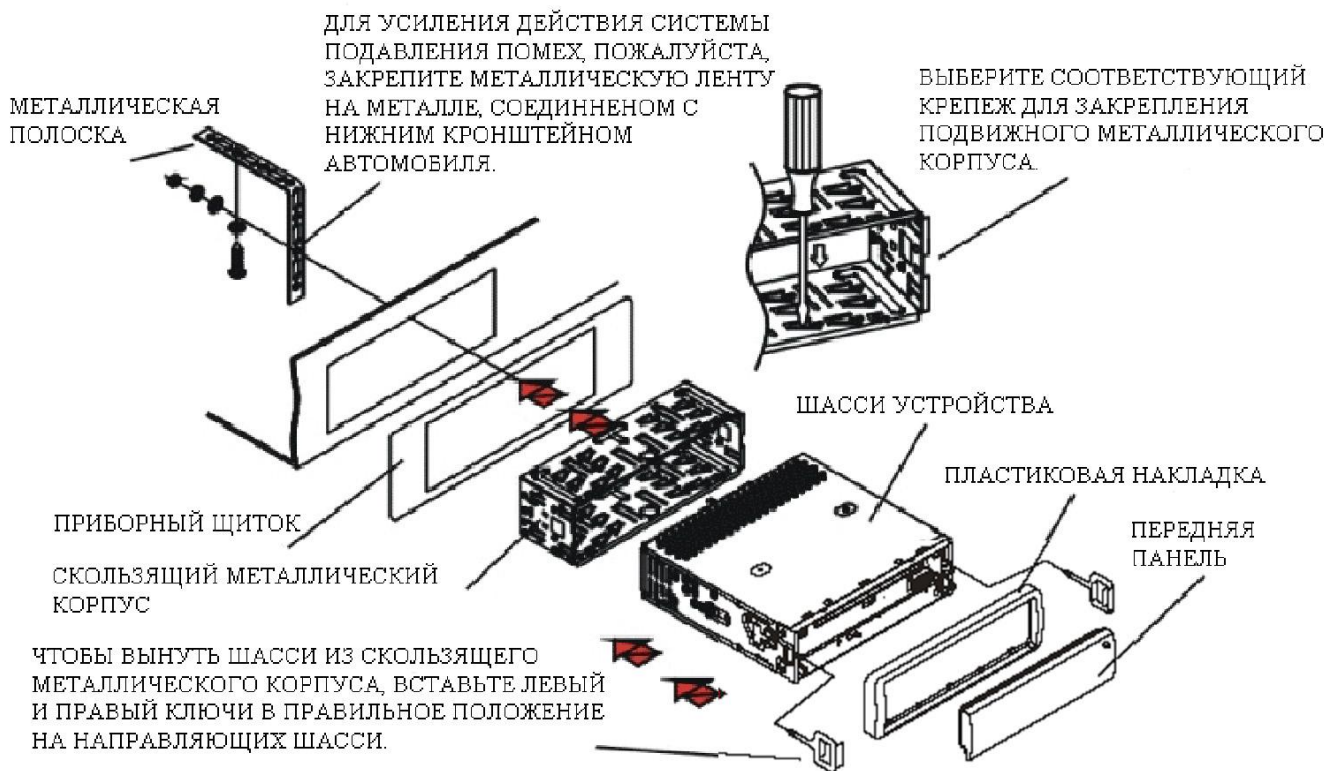
- Кроме аудио CD, изделие может проигрывать CD-R и CD-R/W диски, на которых записаны аудио треки; однако в зависимости от условий записи, записываемой программы или состояния диска некоторые диски могут не проигрываться.
- Во время записи CD-R или CD-R/W дисков слишком большая скорость записи может повлиять на качество воспроизведения слабого сигнала. В связи с этим рекомендуемая скорость записи 24x или ниже для записи CD-R и 4x или ниже для записи CD-R/W.

Установка / подключения

Сначала проведите электрические подключения, затем проверьте их правильность.

Способ установки

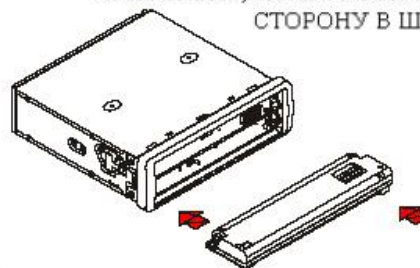
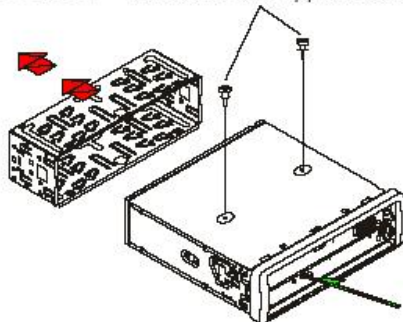
Шасси имеет корпус с металлическими направляющими. Пожалуйста, проведите соединение проводов источника питания, динамиков и антенны в соответствии с требованиями инструкции. Затем вставьте металлический корпус с направляющими в автомобиль в соответствии с приведенной схемой.



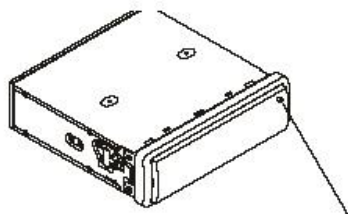
УДАЛИТЕ СКОЛЬЗЯЩИЙ
МЕТАЛЛИЧЕСКИЙ КОРПУС.

ВЫВЕРНИТЕ 2 ВИНТА ДЛЯ ЗАЩИТЫ
ПЛЕЕРА ПЕРЕД ЕГО ЭКСПЛУАТАЦИЕЙ.

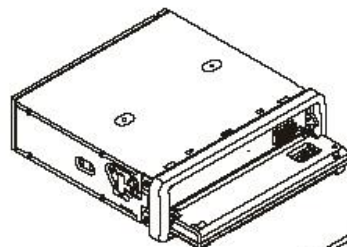
ДЛЯ УСТАНОВКИ ПЕРЕДНЕЙ ПАНЕЛИ
ОБРАТНО В ШАССИ УСТРОЙСТВА,
СНАЧАЛА ВСТАВЬТЕ ПРАВУЮ СТОРОНУ,
ЕСЛИ ЗАДНЯЯ СТОРОНА УСТАНОВЛЕНА
ПРАВИЛЬНО, ЗАТЕМ ВТОЛКНИТЕ ЛЕВУЮ
СТОРОНУ В ШАССИ.



КНОПКА СБРОСА
НАЖМИТЕ КНОПКУ СБРОСА, ЧТОБЫ ВОССТАНОВИТЬ
ИЗМЕНЕННОЕ ПРОГРАММИРОВАНИЕ, ЕСЛИ ИНФОРМАЦИЯ НА
ЭКРАНЕ ПРЕДСТАВЛЯЕТСЯ НЕНАДЛЕЖАЩИМ ОБРАЗОМ И
НЕКОТОРЫЕ КНОПКИ НЕРАБОТОСПОСОБНЫ.

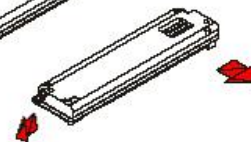


КНОПКА ОТКРЫВАНИЯ

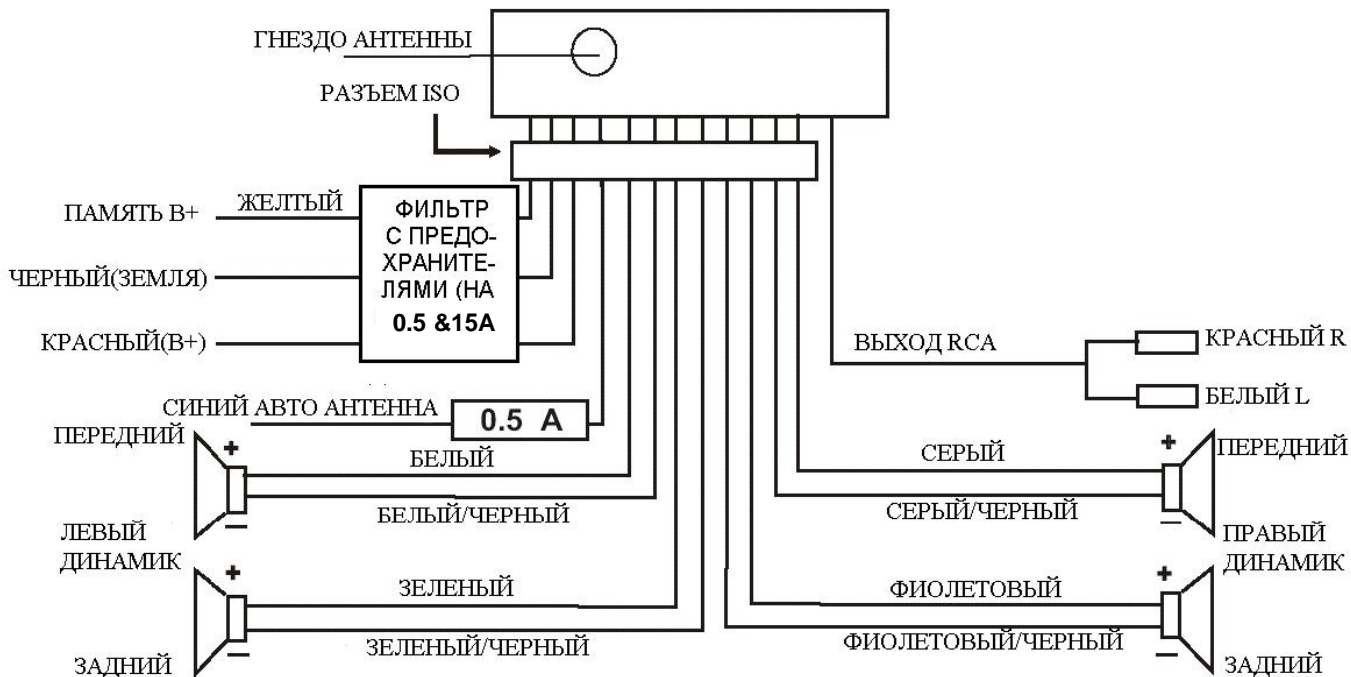


Надавите в левую
сторону и потяните
правую, чтобы вынуть
панель

ЧТОБЫ ВСТАВИТЬ ДИСК В ОТСЕК ИЛИ ВЫНУТЬ ЕГО, ИЛИ СНЯТЬ ПЕРЕДНЮЮ
ПАНЕЛЬ С ШАССИ, НАЖМИТЕ КНОПКУ ОТКРЫВАНИЯ ДЛЯ СБРОСА ПЕРЕДНЕЙ
ПАНЕЛИ.



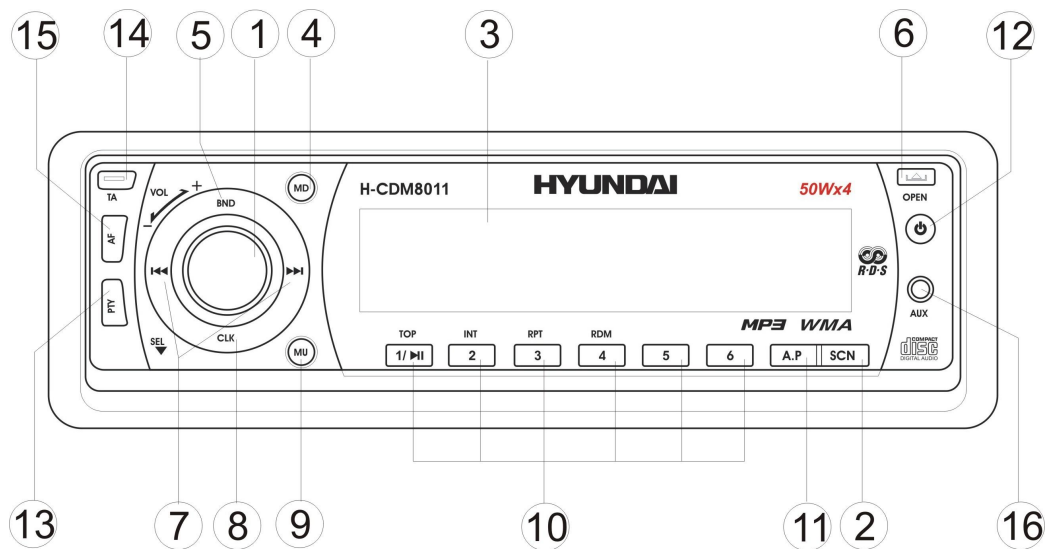
Подключение динамиков



Примечания:

- Независимо от вида динамиков, следует использовать динамики с сопротивлением, равным 4 Ом для уменьшения искажений при повышенной громкости.
- Запрещается соединять провода авто антенны и заземления между собой.

Органы управления



1. Регулятор VOL/кнопка SEL

Вращайте регулятор громкости по часовой стрелке, чтобы увеличить уровень громкости. Вращайте против часовой стрелки, чтобы понизить уровень громкости. Нажмите на кнопку SEL, чтобы войти в режим настроек.

2. Кнопка SCN

В режиме Радио нажмите на кнопку, чтобы начать автоматический поиск радио станций, при этом приемник будет останавливаться на каждой станции по 5 секунд. Нажмите на кнопку, чтобы войти в режим настроек.

3. Жидкокристаллический дисплей.
4. Кнопка MD
Нажмите данную кнопку для выбора режима RADIO, CD или AUX.
5. Кнопка BND
Нажмите кнопку несколько раз для выбора необходимого радиодиапазона в режиме RADIO.
6. Кнопка OPEN
Нажмите ее, чтобы откинуть переднюю панель и иметь возможность вставить диск в отсек для CD или снять ее. Нажмите кнопку EJECT для извлечения диска из отсека диска.
7. Кнопки «**◀**»/«**▶**»
В режиме CD нажимайте кнопки, чтобы перейти к предыдущему или следующему трек.
Нажмите и удерживайте, чтобы выбрать быструю перемотку вперед / назад.
В режиме Радио используйте данные кнопки для поиска радиостанций вручную.
Нажмите и удерживайте, чтобы начать автоматический поиск радиостанций.
8. Кнопка CLK
Используйте эту кнопку для установки времени.
9. Кнопка MU
Нажмите данную кнопку для отключения или включения звука.
10. Предварительно установленная станция (1-6); кнопки PLAY/PAUSE/TOP, INT, RPT, RDM.
В режиме MP3 кнопки 5 и 6 предназначены для перехода на 10 композиций вверх или вниз при нормальном воспроизведении.
11. Кнопка A.P
Нажмите на кнопку для сканирования предварительно сохраненных в памяти станций/автоматического сохранения радиостанций.
12. Кнопка POWER
Нажмите любую кнопку, за исключением OPEN, для включения прибора. Нажмите кнопку POWER для выключения прибора.

13. Кнопка РТУ (ТИП ПРОГРАММЫ)

Нажмите на кнопку, чтобы войти в режим РТУ.

14. Кнопка ТА (ДОРОЖНЫХ ОБЪЯВЛЕНИЙ)

Нажмите на кнопку, чтобы войти в режим ТА.

15. Кнопка АФ (АЛЬТЕРНАТИВНЫЕ ЧАСТОТЫ)

Нажмите на кнопку, чтобы войти в режим АФ.

16. АUX вход

Основные операции

Сброс установок

Во время работы устройства в первый раз или после замены батарейки, или если устройство не реагирует на команды, а также на дисплее появляются символы ошибок, Вам следует переустановить устройство. Нажмите на кнопку OPEN, чтобы опустить переднюю панель. Используя ручку или другой остроконечный предмет, нажмите на кнопку RESET, чтобы сбросить все настройки магнитолы.

Включение питания

Нажмите на любую кнопку, кроме OPEN, чтобы включить устройство. Нажмите кнопку POWER, чтобы выключить устройство.

Внимание: Когда Вы выключаете систему или зажигание автомобиля, уровень громкости и все настройки будут сохранены в памяти устройства.

Выбор режима работы

Нажимайте на кнопку MD на панели или на кнопку MODE, чтобы выбрать режим работы устройства:
RADIO => CD => AUX

Регулировка уровня громкости

Поворачивайте регулятор громкости VOL по часовой стрелке, чтобы увеличить уровень громкости.

Поворачивайте регулятор громкости VOL против часовой стрелки, чтобы уменьшить уровень громкости.

Внимание: Не допускайте продолжительной работы на максимальном уровне громкости.

Функция выключения звука

Нажмите на кнопку MU, чтобы выключить звук. Нажмите снова, чтобы восстановить звук.

Настройка тонкомпенсации (Loud)

Нажмите и удерживайте в течение 2 секунд кнопку TA, чтобы включить или выключить функцию LOUD (тонкомпенсацию).

Установка времени

• **Отображение времени:**

- В режиме Радио во время приема RDS информации, нажимайте на кнопку CLK, чтобы отобразить информацию на дисплее в следующей последовательности: Наименование станции, транслирующей текущую передачу => Частота => Название типа транслируемой передачи => Текущее время.
- В режиме Радио, когда RDS информация не принимается, нажимайте на кнопку CLK, чтобы отобразить информацию на дисплее в следующей последовательности: Частота => PTY NONE => Текущее время.
- В режиме CD нажмите на кнопку CLK, чтобы отобразить на дисплее текущее время.

• **Установка времени:**

- Нажмите и удерживайте в течение 2 секунд кнопку CLK, время начнет мигать.
- Вращайте регулятор громкости VOL по часовой стрелке, чтобы установить минуты.
- Вращайте регулятор громкости VOL против часовой стрелки, чтобы установить часы.
- Нажмите на кнопку CLK, чтобы сохранить настройку.

Регулировка настроек аудио

Нажимайте на кнопку SEL, чтобы выбрать одну из настроек аудио: VOL (громкость) => BASS (низкие частоты) => TREBLE (высокие частоты) => BALANCE (баланс левые/ правые динамики) => FADER (баланс задние/ передние динамики).

Вращайте регулятор громкости, чтобы отрегулировать выбранную настройку.

Внимание:

- При выключении устройства все настройки будут сохранены.
- Если при выборе какой-либо настройки Вы в течение 3 секунд ее не регулируете, устройство вернется к текущему режиму, отображаемому на дисплее.

Функциональные настройки

Нажмите и удерживайте в течение 2 секунд кнопку SEL, чтобы войти в меню функциональных настроек. Нажимайте на кнопку SEL, чтобы выбрать одну из настроек: EQ (Эквалайзер) => CLK 12H/24H (Система отображения времени) => CT (Установка времени) => STEREO (Выбор режима Стерео/Моно) => LO/DX (Выбор режима Local/Distant) => AREA (Выбор зоны) => VOL PGM (Установка уровня громкости при включении питания устройства) => BEEP (Вкл./Выкл. звукового сопровождения при нажатии на кнопки) => CLK ON (Функция отображения часов на дисплее после выключения питания устройства) => SEEK RDS (Выбор функции RDS/ALL) => TA SEEK (Выбор функции TA SEEK/TA ALARM) => TA VOL (Установка уровня громкости при приеме передачи о дорожном движении (TA)) => MASK => REG (Установка чувствительности тюнера).

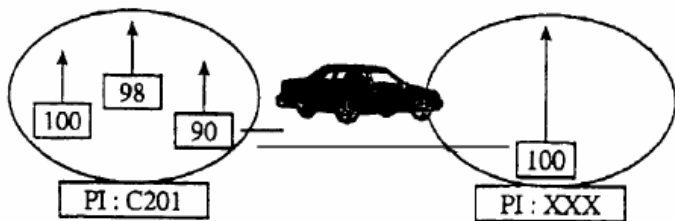
Вращайте регулятор громкости, чтобы отрегулировать выбранную настройку.

- EQ: Вы можете настроить качество звука в зависимости от направления музыки, которую Вы слушаете: OFF (Выкл.) => FLAT => CLAS => ROCK => POP.
- CLK 12/24: Вы можете выбрать режим работы часов: 12-часовой или 24-часовой режим.
- CT: Вращайте регулятор громкости VOL по часовой стрелке, чтобы установить минуты. Вращайте регулятор громкости VOL против часовой стрелки, чтобы установить часы.
- STEREO: Вы можете выбрать режим приема Stereo (Стерео) или Mono (Моно).
- LO/DX: Вы можете выбрать параметр приема: LOCAL (прием сильных станций) или DISTANT (прием слабых станций).
- AREA: Вы можете выбрать зону приема: Europe (Европа), Latin (Страны Латинской Америки), OIRT (Россия) (опция), Austria (Австрия), Asia (Азия), USA (США).

- VOL PGM: Вы можете настроить уровень громкости при включении устройства. Если при включении устройства значение этого параметра меньше текущего уровня громкости, при следующем включении устройства уровень громкости будет равным настроенному значению VOL PGM.
- BEEP: Вы можете включить/ отключить звуковой сигнал при нажатии на кнопки.
- CLK ON: Вы можете включить/ отключить функцию CLK ON. При включенной функции после выключения питания устройства на дисплее будет отображаться текущее время. При выключенной функции время не будет отображаться на дисплее.
- TA SEEK (программы о дорожном движении)
Функция TA определяют поведение радиоприемника при включенном режиме TA, если отсутствует передача информации TP (программа движения) радиостанцией, на которую в данный момент настроен радио приемник. Вращайте регулятор громкости, чтобы выбрать один из режимов: TA SEEK или TA ALARM.
TA seek: Если радиоприемник настраивается на радиостанцию, которая не передает информацию TP (Traffic Program – программы с информацией о дорожном движении) в течение 60 секунд, радиоприемник перенастраивается на следующую станцию, которая не имеет тот же PI (код идентификации программы), что и предыдущая радиостанция, но передает информацию TP.
TA alarm: Если принимаемая радиостанция не передает TP информацию в течение 40 секунд, прозвучит двойной звуковой сигнал и на дисплее появится надпись: LOST TP TA, но перенастройки на другую радиостанцию не произойдет.
- Режим TA VOL: вращайте регулятор громкости, чтобы установить громкость для функции TA. При настройке приемника на TA программу уровень громкости изменится в сторону установленного с помощью данной функции уровня. По умолчанию уровень громкости приема TA – 18.
- REG: Вы можете установить чувствительность тюнера. Если функция включена (ON), во время поиска AF и TA передач приемник будет настраиваться на те станции, PI-код которых совпадает с кодом текущей станции. Если функция выключена (OFF), PI-код будет игнорироваться и будет возможен прием региональных станций.

- Режим MASK: вращайте регулятор громкости для выбора режима MASK DPI или MASK ALL.

Когда для станции, например, C201 включен режим, разрешающий переключение на альтернативную частоту (AF), радиоприемник может переключиться на частоту 100 МГц, которая не является подлинной частотой AF, а занята другой радиостанцией с другим значением PI, но с той же AF.



Если автомобиль перемещается в критической зоне, может появиться эффект частого переключения между двумя разными радиостанциями, потому что может быть принят другой код PI на частоте 100 МГц с PI "XXX".

Радиоприемник CD-ресивера имеет специальную процедуру, направленную на снижение данного неизбежного эффекта, которая, однако, из-за определенных собственных ограничений в некоторых случаях не позволяет решить данную проблему.

Радиоприемник в таком случае прекращает искать альтернативную частоту AF в течение некоторого времени. В этой ситуации радиоприемник будет маскировать сигнал ошибочно принимаемой радиостанции, в зависимости от выбранной опции:

Режим MASK DPI. Маскируется только станция AF, которая передает сигналы RDS, но имеет другой PI (код идентификации программы).

Режим MASK ALL. Маскируется станция AF, которая имеет другой PI или не передает сигналы RDS вовсе.

Цифровой тюнер

Внимание: Сервис RDS (система радио данных) доступен не во всех регионах. Имейте в виду, что если услуга RDS не доступна в Вашем регионе, то данная функция не будет работать.

Выбор диапазона

Нажмите на кнопку BND, чтобы выбрать нужный диапазон: FM1, FM2, FM3, AM1, AM2.

На дисплее появятся диапазон, частота.

Ручной/ автоматический поиск радиостанций

Автоматический поиск: нажмите на кнопки ◀/▶, чтобы начать автоматический поиск радиостанции. Кнопкой курсора ◀ осуществляется поиск радиостанций с более низкой частотой, кнопкой курсора ▶ осуществляется выбор радиостанций с более высокой частотой.

Ручной поиск: нажмите и удерживайте кнопки ◀/▶, чтобы начать поиск радиостанции вручную. Если в течение 5 секунд не выполняется никакой операции, тюнер автоматически переходит в режим автопоиска, после чего, нажимая на кнопки ◀/▶, Вы можете вручную подстроить частоту.

Функция автоматического сохранения станций в памяти

Вы можете сохранить до 30 радиостанций (18 AM, 12 AM).

- Для сохранения радиостанции:
 - Нажмите на кнопку BND и выберите желаемый диапазон (FM и AM).
 - Выберите станцию с помощью кнопок ◀/▶
 - Нажмите и удерживайте одну из кнопок 1-6, под которой хотите сохранить радиостанцию.
- Для выбора одной из сохраненных радиостанций:
 - Выберите желаемый диапазон
 - Нажмите коротко одну из кнопок 1-6, под которой была сохранена выбираемая радиостанция

Прослушивание сохраненных станций

Нажмите на кнопку A.P, чтобы прослушать все сохраненные в текущем диапазоне станции в течение 5 секунд. Во время прослушивания номер каждой станции будет мигать на дисплее. Чтобы остановить прослушивание, снова нажмите на кнопку.

Функция автоматического поиска и сохранения станций в памяти

Выберите диапазон. Нажмите и удерживайте в течение 2 секунд кнопку A.P, чтобы войти в режим автоматического поиска и сохранения радиостанций. 6 самых сильных доступных станций будут автоматически сохранены в памяти. Поиск прекратится, когда будет сделан полный круг. Чтобы остановить автоматическое сохранение, снова нажмите на кнопку A.P.

Функция RDS

Существуют режимы: PI, PS, TP,PTY, TA, AF, DATA.

PI: программа идентификации кода.

PS: программа услуги наименования передаваемой станции – наименование станций отображается в алфавитном порядке.

TP: программа приема информации о дорожном движении – транслируются радиостанции, передающие информацию о дорожном движении.

TA: поиск программ о дорожном движении – показывает информацию о дорожном движении.

AF: альтернативная частота – перечень частот передаваемых станций, передаваемые той же программой.

Функция TA (программы о дорожном движении)

Нажмите на кнопку TA, чтобы включить/ выключить режим TA.

Когда функция TA/TP включена, начнется передача дорожного движения.

Функция выбора передаваемого типа программыPTY

Нажмите на кнопкуPTY, чтобы включить/ выключить режимPTY.

Вращайте регулятор громкостиVOL, чтобы выбрать тип программы: NEWS, AFFAIRS, INFO, SPORT, EDUCATE, DRAMA, CULTURE, SCIENCE, VARIED, POP M, ROCK M, EAST M, LIGHT M, CLASSIC, OTHER M, WEATHER, FINANCE, CHILDREN, SOCIAL, RELIGION, PHONE IN, TRAVEL, LEISURE, JAZZ M, COUNTRY M, NATION M, OLDIES M, FOLK M, DOCUMENT, TEST, ALARM.

При выборе режимаPTY начнется поиск радиостанций в соответствии с заданным типом программы. Если не найдена ни одна радиостанция, соответствующая заданному типу программы, устройство возвращается к обычному режиму воспроизведения.

РежимAF (альтернативные частоты)

Нажмите на кнопкуAF, чтобы включить/ выключить режимAF. При включенной функции на дисплее отобразится символ “AF”.

Примечание: радиоприемник будет переключаться на режим Альтернативной частоты каждый раз, когда принимаемый сигнал будет ослабевать. На дисплее будет отображаться символ “Alarm”, когда получена передаваемая передача. Между тем, уровень звукового выхода будет установлен на выход настроек автоматически, когда громкость установлена минимальная.

Если символ мигает, это значит, что режим включен, но приема RDS передачи нет.

ФункцияEON (расширенный диапазон)

Нажмите на кнопкуAF и удерживайте в течение 2 секунд, чтобы включить/ выключить режимEON.

При получении данныхEON на дисплее загорится индикаторEON, при этом возможности функцийTA иAF существенно расширятся.

TA: Приемник принимает передачи о дорожном движении не только местных станций, но и станций других диапазонов.

AF: за счет расширенного диапазона частотный диапазон принимаемых систем радио данных увеличивается.

EON дает возможность приемнику принимать большее количество информационных программ, а также обновлять альтернативные частоты, которые уже хранятся в памяти. Если приемник настроится на передачу, транслируемую региональной станцией, в дальнейшем Вы сможете принимать эту же передачу на альтернативных частотах или с другой станции, которая предоставляет эту передачу. Система EON также позволяет осуществлять быстрый доступ к локальным станциям.

Воспроизведение дисков

Диски для воспроизведения

- Это устройство может воспроизводить разновидности цифровых дисков: CD/CD-R/-RW.
- Совместимо с форматами: MP3/WMA/CDDA.

Загрузка дисков

1. Включите питание устройства.
2. Нажмите на кнопку OPEN на устройстве, чтобы опустить переднюю панель.
3. Вставьте диск в слот маркированной стороной вверх.
4. Закройте переднюю панель.
5. Чтобы вынуть диск, нажмите на кнопку OPEN, затем откройте переднюю панель.
6. Нажмите на кнопку EJECT, чтобы вынуть диск.
7. Закройте переднюю панель.

Воспроизведение/ Пауза

Дождитесь, пока плеер закончит читать диск. Воспроизведение начнется автоматически.

Во время воспроизведения нажмите на кнопку PLAY/PAUSE/TOP, чтобы включить режим паузы, нажмите еще раз, чтобы продолжить воспроизведение. Держите и удерживайте 2 сек чтобы началось воспроизведение первого трека.

Переход к предыдущему или следующему треку

1. Нажмите во время воспроизведения на кнопку ⏮, чтобы начать воспроизведение текущего трека с начала. Нажмите еще раз, чтобы начать воспроизведение предыдущего трека.
2. Нажмите во время воспроизведения на кнопку ⏭, воспроизведение начнется со следующего трека.

Ускоренное воспроизведение вперед или назад

Нажмите во время воспроизведения на кнопки ◀ или ▶ и удерживайте в течение 2 секунд, чтобы начать ускоренное воспроизведение назад/ вперед. Нажмите на кнопку PLAY/PAUSE, чтобы вернуться к нормальному воспроизведению.

Внимание: Во время воспроизведения дисков, когда ускоренное воспроизведение достигает начала следующего трека, возобновляется нормальный режим воспроизведения.

Повтор воспроизведения

Во время воспроизведения нажмите на кнопку RPT, чтобы начать повторное воспроизведение текущего трека. Нажмите еще раз, чтобы отменить повтор.

Во время воспроизведения MP3/WMA диска, нажмите и удерживайте в течение 2 секунд кнопку RPT, чтобы начать повторное воспроизведение всех треков в текущей папке. Нажмите еще раз, чтобы отменить повтор.

Случайное воспроизведение

Во время воспроизведения нажмите на кнопку RDM, чтобы начать воспроизведение треков в случайном порядке. Нажмите еще раз, чтобы отменить функцию.

Во время воспроизведения MP3/WMA диска, нажмите и удерживайте в течение 2 секунд кнопку RDM, чтобы начать воспроизведение треков в текущей папке в произвольном порядке. Нажмите еще раз, чтобы отменить повтор.

Функция Intro

Вы можете последовательно воспроизводить начало каждого трека в течение 10 секунд.

Во время воспроизведения нажмите на кнопку INT. На дисплее появится номер воспроизводимого трека и время воспроизведения.

Нажмите на кнопку INT снова, чтобы вернуться к нормальному воспроизведению.

Поиск треков

Поиск MP3/WMA треков по номеру

Нажмите на кнопку BND 1 раз. На дисплее появится надпись TRACK.

Вращайте регулятор громкости VOL или нажимайте на кнопку SEL, чтобы войти в режим.

Вращайте регулятор громкости VOL, чтобы выбрать нужный номер трека. Нажмите на SEL, чтобы начать воспроизведение выбранного трека.

Поиск MP3/WMA треков по директории

Нажмите на кнопку BND 2 раза. На дисплее появится надпись NAVIGA.

Вращайте регулятор громкости VOL или нажимайте на кнопку SEL, чтобы войти в режим.

Вращайте регулятор громкости VOL, чтобы выбрать нужный номер трека или папку. Нажмите на SEL, чтобы начать воспроизведение выбранного трека или войти в выбранную папку.

Нажмите на SEL, чтобы начать воспроизведение выбранного трека.

Отображение ID3-тегов

Нажимайте на кнопку A.P, чтобы отобразить на дисплее Имя папки, Имя файла, Название композиции, Имя исполнителя, Название альбома.

Если воспроизводимый трек поддерживает ID3-теги, то на дисплее в 3 строки будут отображаться Название композиции, Имя исполнителя, Название альбома.

Обзор MP3

- MP3 это краткое обозначение аудио слоя MPEG 3 и относится к стандарту технологии сжатия звука.
- Данное изделие позволяет воспроизводить файлы MP3 на дисках CD-ROM, CD-R или CD-RW.
- Изделие может считывать файлы MP3, записанные в формате, соответствующем ISO 9660. Однако оно не поддерживает данные MP3, записанные методом пакетной записи.
- Изделие не может считывать файлы MP3, которые имеют расширение файла, отличающееся от “.mp3”.
- Если вы воспроизводите не MP3 файл, который имеет расширение “.mp3”, вы можете слышать некоторые шумы.
- В данном руководстве мы рассматриваем файлы, называемые “файлами MP3” и “папкой”, а в технологии PC “дорожкой” и “альбомом” соответственно.
- Максимальное количество уровней директории равно 8, включая корневую директорию. Максимальное количество файлов и папок на диске 256.
- Изделие может не воспроизводить дорожки в последовательном порядке.
- Изделие воспроизводит только аудио треки, если диск содержит как аудио треки, так и файлы MP3.
- При воспроизведении диска 8 килобит или VBR, истекшее время воспроизведения в окне дисплея будет неправильным, а также ознакомительное воспроизведение может не действовать надлежащим образом. VBR: Переменная скорость передачи битов.
- Устройство поддерживает воспроизведение WMA файлов. Воспроизведение ID3 тегов для формата WMA не является гарантированным, так как это зависит от версий и наличия кириллицы.
- WMA (Windows Media Audio) – формат сжатия музыкальных данных, созданный Microsoft Corporation. Формат использует алгоритмы кодирования для сжатия исходной аудиозаписи, значительно уменьшая размеры файла, но, сохраняя хорошее качество звука даже при низких (например, 64 Кбит/сек) скоростях передачи данных (битрейтах).
- Помните, что изделие может не воспроизводить треки в том порядке, в котором они записаны на диске.

Замечание по созданию собственных CD-R или CD-RW, содержащих файлы MP3:

- Для получения высокого качества звука мы рекомендуем преобразовывать файлы MP3 с частотой дискретизации 44,1 кГц и постоянным битрейтом 128 Кбит/сек.
- НЕ сохраняйте более 448 файлов MP3 на диске.
- Для формата, совместимого с ISO 9660, максимально допустимая глубина вложенных папок равняется 8, включая корневую директорию (папку).
- При использовании диска CD-R воспроизведение возможно только для дисков, у которых закрыта сессия записи.
- Убедитесь, что при записи MP3 CD-R или CD-RW были отформатированы как диски данных, а НЕ как аудио диски.
- Не рекомендуется записывать на диск MP3 файлы вместе с другими файлами, так как в этом случае потребуется много времени для их воспроизведения изделием.
- На некоторых CD-R или CD-RW данные могут не быть записаны надлежащим образом в зависимости от качества их производства. В этом случае данные могут быть воспроизведены не надлежащим образом. Рекомендуются приобретать диски CD-R или CD-RW высокого качества.
- Имя альбома или композиции может содержать до 16 символов. Необходима версия 1.x ID3TAG.
- Помните, что изделие может не воспроизводить треки в том порядке, в котором они записаны на диске.

Система защиты от кражи

Данное изделие снабжено сдвигаемой съемной и маскирующей панелью. Панель можно снять и взять с собой, что помогает избежать воровства.

Съем панели

1. Нажмите кнопку POWER для отключения питания изделия.
2. Нажмите кнопку OPEN, чтобы откинуть панель.
3. Надавите панель в левую сторону, затем потяните правую сторону, чтобы извлечь панель
4. Поместите панель в портфель и возьмите ее с собой, когда вы покидаете автомобиль.

Установка панели

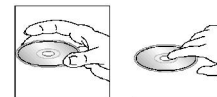
1. Присоедините левую часть панели, затем правую.
2. Приподнимите переднюю панель и подключите ее к ресиверу (до щелчка).
3. Перед включением ресивера убедитесь в надежной установке панели.

Съем изделия

1. Снимите панель.
2. Вставьте два T-образных ключа в отверстие лицевой стороны, пока не услышите щелчок.
3. Извлеките изделие.

Обращение с дисками

- Грязные, поцарапанные или погнутые диски могут вызвать искажение звука или шумы.
- Держите диск только за края (как показано на рисунке). Чтобы обеспечить чистоту, не прикасайтесь к его поверхности.
- Диски должны храниться в их чехлах после использования, чтобы не поцарапать их поверхность.
- Не подвергайте диски действию прямого солнечного света, повышенной влажности, повышенным температурам или действию пыли.
- Продолжительное влияние предельных температур может изогнуть диск (например, пребывание дисков в автомобиле в летнее время).
- Не царапайте и не пишите что-либо на любой стороне диска. Острые пишущие инструменты или чернила, используемые в них, могут повредить поверхность диска.
- Не оставляйте никаких следов на рабочей стороне диска.
- Не прикрепляйте этикетки или стикеры к любой стороне диска.

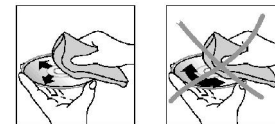


Чистка и уход

Чистка корпуса и передней панели: Протирайте мягкой тканью. Если корпус очень загрязнен (не мочите его), используйте мягкую ткань.

Если панель загрязнилась или запылилась, протрите ее сухой чистой тканью. Для чистки разъема в задней части панели используйте тампон, смоченный техническим спиртом.

Чистка дисков: Отпечатки пальцев должны быть тщательно стерты с поверхности диска мягкой тканью. В отличие от обычных пластинок, компакт-диски не имеют канавок для сбора пыли и микроскопических частиц грязи, поэтому их можно легко отчистить мягкой тканью. Вытирайте прямолинейным движением от центра к краю.



Никогда не используйте растворитель, бензин, очиститель пластинок или антистатический аэрозоль для чистки дисков. Такие химические вещества могут повредить его пластиковые поверхности.

Руководство по устранению неисправностей

Неисправность	Причина	Решение
Нет питания	Зажигание машины не включено. Сгорел предохранитель.	Если источник питания подключен надлежащим образом к выключателю машины, установите ключ зажигания в положение “ACC”. Замените предохранитель.
Невозможно загрузить диск	В плеер установлен диск.	Удалите диск из плеера, затем установите новый.
Невозможно считать диск	Диск установлен верхней стороной вниз. Диск загрязнен или имеет дефект. Температура внутри машины очень высокая.	Установите компакт диск стороной с этикеткой вверх. Очистите диск или установите новый. Подождите, пока температура не станет нормальной.
Нет звука	Звук установлен на минимум. Кабель не подключен надлежащим образом.	Отрегулируйте звук до необходимого уровня. Проверьте подключение кабеля.
Не действуют функциональные ключи	Встроенный микрокомпьютер не работает надлежащим образом из-за шумов. Передняя панель не установлена на свое место.	Нажмите кнопку POWER и держите в течение 10 секунд, чтобы сбросить настройки.
Звук пропадает	Угол установки устройства более 30 градусов. Диск загрязнен или имеет дефект.	Отрегулируйте угол установки, установив его менее 30 градусов. Очистите диск или установите новый.
Радио не работает. Не работает автоматический выбор радиостанции	Антенный кабель не подключен. Сигналы слишком слабы.	Вставьте антенный кабель надежно. Выберите станцию вручную.

Технические характеристики

Общие. Источник питания	12 В, постоянное
Максимальная выходная мощность:	50 Вт x 4 канала
Потребляемый ток	макс.15 А
Предохранитель:	15 А
Размеры (Ш x В x Д)	178 x 50 x 165 мм
Сtereo FM радио. Частотный диапазон:	87.5 - 108.0 МГц
Используемая чувствительность:	3 мкВ
Промежуточная частота:	10.7 МГц
AM радио Частотный диапазон:	522-1620 кГц
Используемая чувствительность:	40 дБ
Промежуточная частота:	450 кГц
Плеер дисков. Система:	Дисковая аудио система
Используемый диск:	CD/ CD-R/ CD-RW/ MP3/WMA Нет бит квантований 1 бит
Формат сигнала:	частота дискретизации 44,1 кГц
Частотные характеристики:	20-100 Гц \leq 5 дБ 10-20 кГц \leq 5 дБ
Отношение сигнал/шум CD:	50 дБ (1 кГц)
Количество каналов:	2 стерео
Линейный выход:	CD макс. 2000 мВ



Технические характеристики могут быть изменены заводом-изготовителем без предварительного уведомления.
Указанные масса и геометрические размеры имеют приблизительные значения.