

# HYUNDAI

## H-CDM8019



**CD/MP3-RECEIVER + 13 cm 2 way coaxial acoustic system**

**CD/MP3-РЕСИВЕР + 13 см 2-полосная коаксиальная акустическая система**

**Instruction manual**

**Руководство по эксплуатации**

## Dear customer!

Thank you for purchasing our product. For safety, it is strongly recommended to read this manual carefully before connecting, operating and/or adjusting the product and keep the manual for reference in the future.

## Table of contents

---

Table of contents .....	3
<b>Instruction manual for CD/MP3-Receiver .....</b>	<b>4</b>
Important safeguards .....	4
Accessories .....	5
Installation/Connections .....	6
Panel controls.....	12
General operations .....	13
Radio operations .....	15
CD/MP3 operations.....	17
MP3 Overview .....	20
Handling discs .....	21
Cleaning.....	21
Troubleshooting guide.....	22
Specification .....	23
<b>Instruction manual 13 cm 2 way coaxial acoustic system .....</b>	<b>24</b>
Description.....	24
Important safeguards .....	25
Mounting the speakers .....	26
Securing the speakers .....	27
If unit fails to operate properly .....	28
Specification .....	29

## Instruction manual for CD/MP3-Receiver

### **Important safeguards**

---

- Using the device at temperature below -10°C may cause the breakage of the device. Before using please heat up the passenger compartment to the recommended temperature!
- Read carefully through this manual to familiarize yourself with this high-quality system.
- Disconnect the vehicle's negative battery terminal while mounting and connecting the unit.
- When replacing the fuse, be sure to use one with an identical amperage rating. Using a fuse with a higher amperage rating may cause serious damage to the unit.
- Do not attempt to disassemble the unit. Laser beams from the optical pickup are dangerous to the eyes.
- Make sure that pins or other foreign objects do not get inside the unit; they may cause malfunctions, or create safety hazards such as electrical shock or laser beam exposure.
- If you have parked the car for a long time in hot or cold weather, wait until the temperature in the car becomes normal before operating the unit.
- Do not open covers and do not repair yourself. Consult the dealer or an experienced technician for help.
- Make sure you disconnect the power supply and aerial if you will not be using the system for a long period or during a thunderstorm.
- Make sure you disconnect the power supply if the system appears to be working incorrectly, is making an unusual sound, has a strange smell, has smoke emitting from it or liquids have got inside it. Have a qualified technician check the system.
- The unit is designed for negative terminal of the battery, which is connected to the vehicle metal. Please confirm it before installation.
- Do not allow the speaker wires to be shorted together when the unit is switched on. Otherwise it may overload or burn out the power amplifier.
- Do not install the detachable panel before connecting the wire.

## Accessories

---

1. Nut 5 mm	1 pc.
2. Spring washer	2 pcs.
3. Screw M5x25 mm	1 pc.
4. Screw	1 pc.
5. Plain washer	2 pcs.
6. Strap	1 pc.
7. Operating instructions	1 pc.
8. Key	2 pcs.
9. Mounting collar	1 pc.
10. Wire connector	1 pc.
11. Removable face plate case	1 pc.
12. Trim plate	1 pc.
13. Warranty card	1 pc.
14. Customer information	1 pc.
15. ISO connector	1 pc.

# Installation/Connections

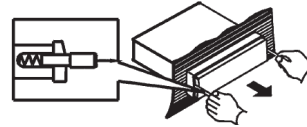
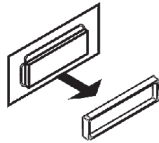
---

First complete the electrical connections, and then check them for correctness. If you are not confident working with electrical wiring, removing and reinstalling interior panels, carpeting, dashboards or other components of your vehicle, please call your dealer in order to have the unit professionally installed.

## Before installation

### **1. Remove the old unit from the dashboard.**

- Remove the outer trim frame.
- Insert the keys supplied with the old unit into both sides of the unit as shown in figure below until they click. Pull to remove the old unit from the dashboard. Do not disconnect wires at this time!



### **2. Mark polarity of the speaker wires.**

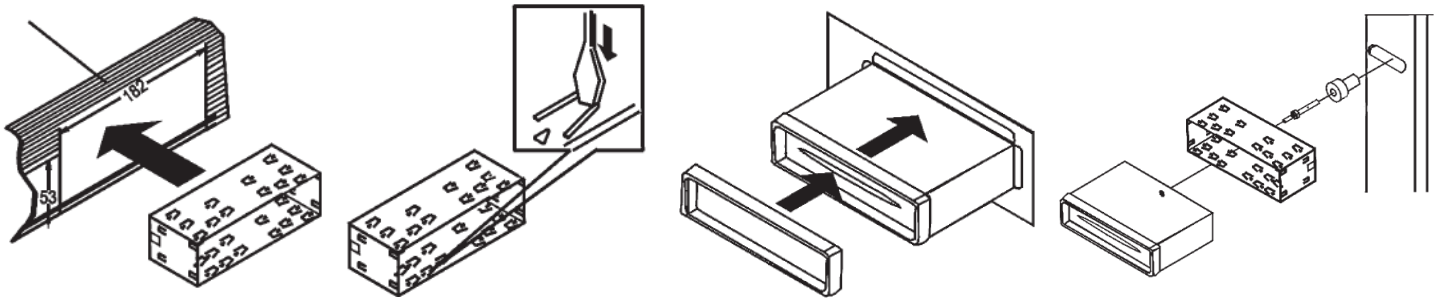
Marking the polarity of the speaker wires will make it easier to connect the existing speakers to your unit. Consult wiring diagram of existing head unit before disconnecting any wires. If you are not positive of the polarity of the existing wires from the speakers to the head unit, install new wires.

- While the old unit is playing, disconnect the wires from one speaker.
- Take a length of masking tape and fold it around the wire so it forms a flag.
- On the masking tape mark the polarity of the speaker wires (+ and -), as well as left or right, and front or rear.
- Repeat this procedure for all of the speakers.
- Mark the power, ground, and any other wires also.

## Installation method A

**WARNING:** Disconnect negative battery terminal from battery before starting installation. Consult the vehicle's owner's manual for proper instructions.

1. After removing the old unit and mounting sleeve, insert supplied mounting sleeve in the opening.
2. Bend the tabs on the mounting sleeve to keep the mounting sleeve firmly in place.
3. Attach wires from the unit to existing wires. See wiring connections diagram. Insert the unit into dashboard. Then apply the trim frame to outside of the unit.
4. Support the unit using supplied rear mounting bolt and steel bar.



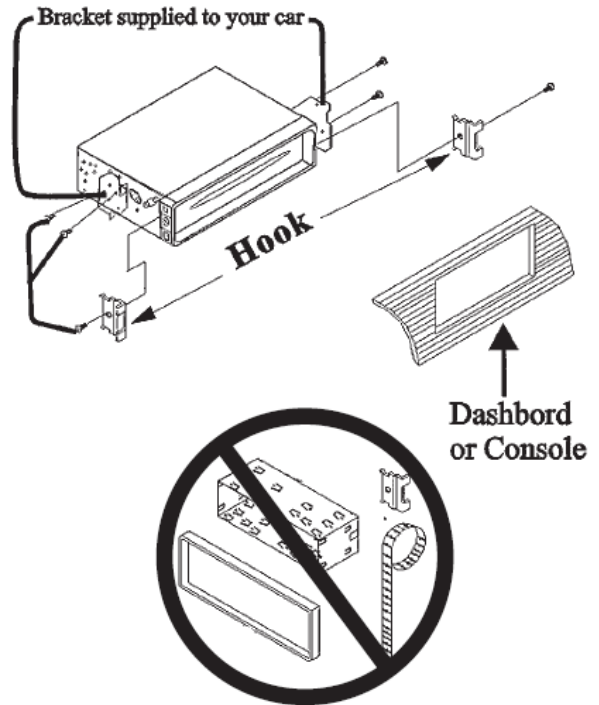
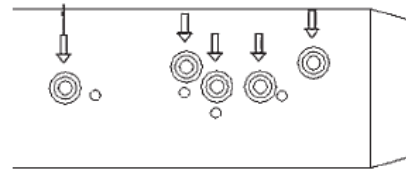
## Installation method B

**Note:** Outer trim frame, hook, and mounting sleeve are not used for this installation.

This is only intended as a general guide; contact the vehicle's manufacturer for specific instructions.

This method of installation uses the screw holes at the sides of the unit and the holes of the existing vehicle mounting bracket.

1. Remove the hooks on both sides.
2. Align the screw holes of the mounting bracket supplied with the car and the screw holes of the main unit. Tighten the 2 screws on each side of the unit. Then fasten the brackets to the car.
3. Attach wires of the unit to existing speaker wires. See wiring diagram.



### Detaching the front panel

Press RELEASE button to remove the panel.

### Attaching the control panel

Insert the left side of the control panel into the main unit. Press the control panel on to the right side of middle of it until a “click” sound is heard.

#### **Caution:**

Do not insert the control panel from the right side. It can damage the control panel.

The control panel can easily be damaged by shocks. After removing it, place it in a protective case and be careful not to drop it or subject it to strong shocks.

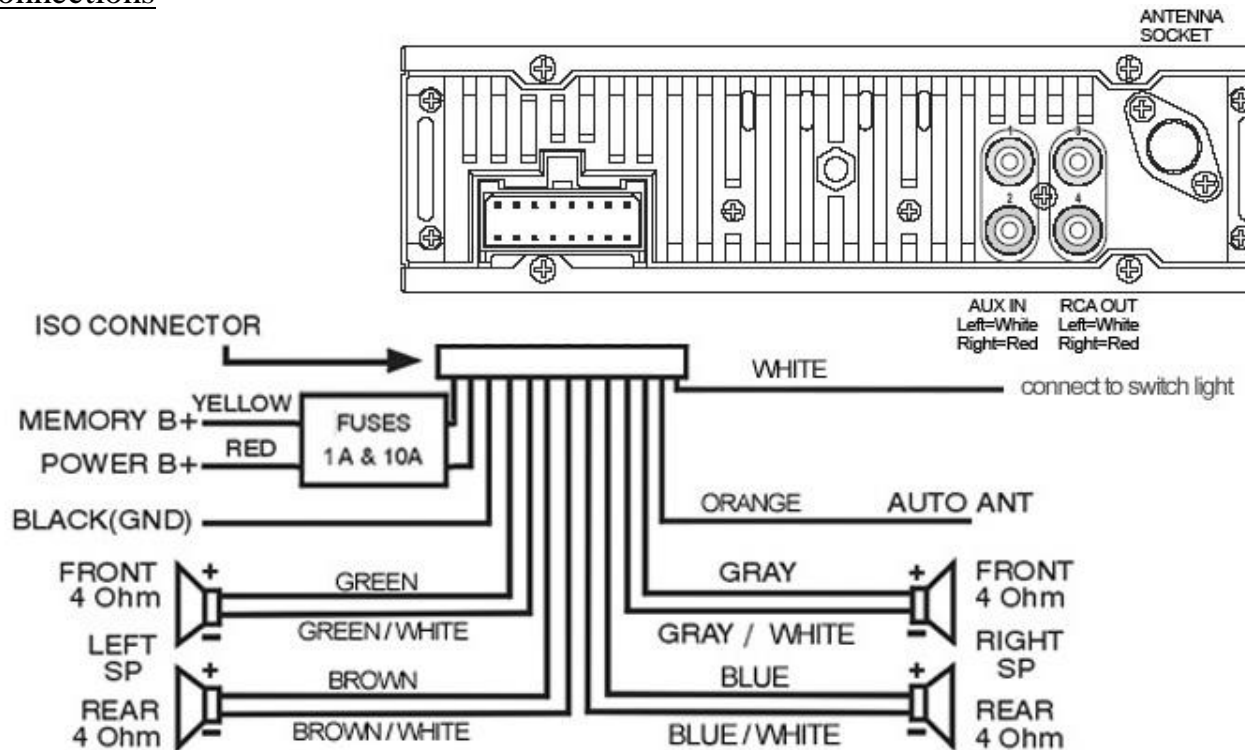
The rear connector that connects the main unit and the control panel is an extremely important part. Be careful not to damage it by pressing on it with fingernails, pens, screwdrivers, etc.

#### **Note:**

If the control panel is dirty, wipe off the dirt with soft, dry cloth only. And use a cotton swab soaked in isopropyl alcohol to clean the socket on the back of the control panel.



## Electrical connections

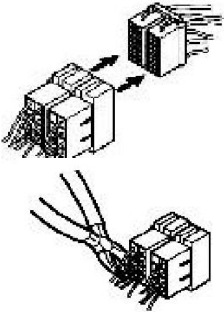


### **Speaker Wiring Notes**

Follow the above wiring diagram to install the head unit with new or existing speakers.

- This unit is designed for use with four (4) speakers with the impedance between 4 Ohms to 8 Ohms.
- An impedance load of less than 4 Ohms could damage the unit.
- Never bridge or combine the speaker wire outputs. When not using four speakers, use electrical tape to tape the ends of the unused speaker outputs to prevent a short circuit.
- Never ground the negative speaker terminals to chassis ground.

## Using the ISO Connector



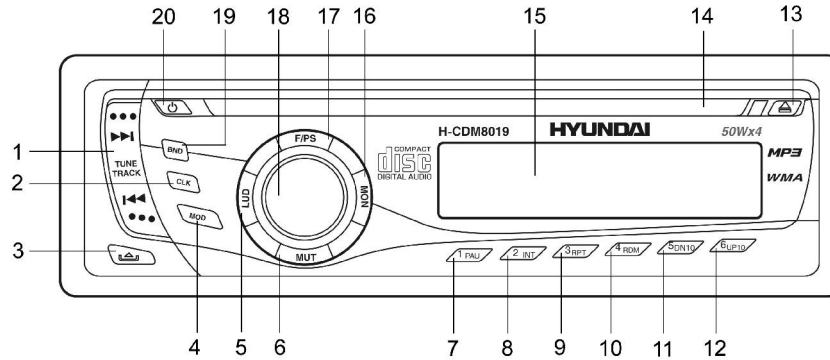
1. If your car is equipped with the ISO connector, then connect the ISO connectors as illustrated.
2. For connections without the ISO connectors, check the wiring in the vehicle carefully before connecting, incorrect connection may cause serious damage to this unit. Cut the connector; connect the colored leads of the power cord to the car battery as shown in the color code table below for speaker and power cable connections.

Location	Function	
	Connector A	Connector B
1		Rear Right (+)---Blue
2		Rear Right (-)---Blue/White Stripe
3		Front Right (+)---Grey
4	Battery 12V (+)/yellow	Front Right (-)---Grey/White Stripe
5	Auto Antenna/orange	Front Left (+)---Green
6	Panel light/white	Front Left ((-)---Green/White Stripe
7	ACC+/red	Rear Left (+)---Brown
8	Ground/black	Rear Left (-)---Brown/White Stripe

# Panel controls

## Front panel

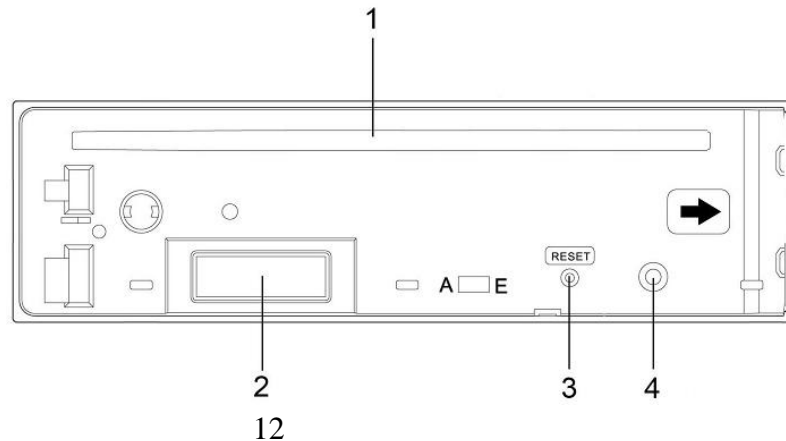
1. NEXT/PREV button
2. CLK button
3. RELEASE button
4. MOD button
5. LUD button
6. MUT button
7. 1/PAU button
8. 2/INT button
9. 3/RPT button
10. 4/RDM button
11. 5/DN10 button
12. 6/UP10 button
13. EJECT button
14. CD slot
15. LCD display



16. MON button
17. F/PS button
18. VOL knob
19. BND button
20. POWER button

## Back of the front panel

1. Disc loading slot
2. Connector
3. RESET button
4. LED indicator



# General operations

---

## Turning On/Off

Press any button to turn the unit on, the display will show a message “WELCOME” to indicate it is ready to use. Press and hold POWER button to turn the unit off.

## Mode selection

Press MOD button to switch between AUX, Radio and CD play mode.

## Volume control

The volume level can be adjusted by rotating VOL knob in any mode.

## LOUD mode

Press LUD button to emphasize the bass output, the word “LOUD ON” on the display indicates that the loudness function is on. Press the button again to cancel.

## MUTE mode

Press MUT button to activate the Mute mode. Press MUT button again or use VOL knob to cancel.

## Bass, treble, balance and fader control

Press VOL knob to select bass, treble, balance or fader mode. The corresponding word appears on the display. Rotate VOL knob to adjust the selected parameter. When DSP is on, treble and bass control is not available. Balance is to adjust the balance between the left and right speakers. Fader is to adjust the balance between the rear and front speakers.

## BEEP function

Press and hold VOL knob for 2 seconds; the display will show “DSP OFF”. Press VOL knob repeatedly until the display shows “BEEP OFF”, rotate VOL knob to toggle between BEEP ON and BEEP OFF, then leave the unit idle for your desired setting to take effect.

## Clock setting

The clock can be set anytime when the power is on. Press CLK button and then press and hold CLK button for 3 seconds, the time will blink on the display.

1. Rotate VOL knob clockwise to adjust the hour.
2. Rotate VOL knob anti-clockwise to adjust the minute.
3. Press CLK button again or leave the unit idle for new setting to take effect.

Press CLK button anytime to view the time display.

### DSP mode

Press and hold VOL knob for 2 seconds, the display will show DSP OFF. Rotate VOL knob to select DSP effect.

POP → ROCK → CLASSIC → FLAT → DSP OFF



After you have selected your desired effect, leave the unit idle in order for the new setting to take effect.

### Auxiliary input, RCA output

#### **1. Auxiliary Input**

Insert the AUX IN cable stereo plug into the AUX IN jack on the rear panel of the unit. Route the other end of the stereo plug to the headphone jack of any external audio device such as MP3 player. Press MOD button to choose AUX mode. Use the volume control to adjust volume.

#### **2. RCA Output**

The RCA output jack is on the back of the unit. This output is for connecting amplifier, equalizer, or other audio device. Follow the manufacturers instructions for the audio device that you are connecting.

# Radio operations

---

## Choose Radio Band

Press BND button to activate the Radio mode (even when CD is playing). The unit is equipped with 3 FM bands (FM1, FM2 and FM3) and 2 MW bands (MW1 and MW2). Each of the bands can store up to 6 preset stations, making total 30 preset memory stations.

## Radio Tune/Seek Function

In Radio mode, press PREV/NEXT button to manually adjust the radio frequency.

## Auto seek modes

Press and hold VOL knob until “DSP OFF” is shown on the display, then press VOL knob to cycle through the menu selections until “SEEK 1” is shown. Rotate VOL knob to select either “SEEK 1” or “SEEK 2”.

1. **Seek 1:** press and hold PREV/NEXT button for more than 1 second. The unit will seek the next strong and clear frequency station. Repeat to seek more stations in your listening area with a strong signal.
2. **Seek 2:** press and hold PREV/NEXT button for station search. The search will not cease until you release the button.

## Mono/Stereo Reception Control

In FM radio mode, press MON button to toggle between mono or stereo reception. The display will show “MONO” or “STEREO”. Improvement of distant station reception can be done by selecting mono operation, which may cut down some reception noise.

## Save Your Preset Stations

There are six numbered preset buttons, which can store and recall stations for each band. While listening to a radio station you would like to save as a preset, press and hold one of the buttons numbered 1-6 until you hear a beep. The button you pressed is now the preset button for that station.

## Automatic Store/Preset Scan

1. **Automatic scan and store:** while listening to the FM Radio, press and hold F/PS button for more than 3 seconds. The receiver will automatically scan the saved stations of that FM band. While listening to the AM radio,

press and hold F/PS button for more than 3 seconds. The receiver will automatically scan and save stations for that AM bands.

2. **Scan saved stations:** press F/PS button once to perform the scanning functions. In FM mode, press F/PS button and the stations in that FM band will be scanned; press this button in AM mode and scan that AM band stations.

# **CD/MP3 operations**

---

## **Electronic Shock Protection (ESP)**

The electronic shock protection is ideal for driving uneven road.

### **For MP3 discs**

Electronic Skip Protection for MP3 discs is a default feature. Please note that this feature supports the CDs with songs encoded by 96 Kb/s and 32000 Hz. For songs encoded in higher quality, the anti-shock duration will decrease proportionally to the file size.

### **For CD discs**

Press and hold VOL knob for 2 seconds, the display will show “DSP OFF”. Press the knob again, “ESP 12” will be shown on the display indicating that Electronic Shock Protection (ESP) will be activated for 12 seconds.

When the display shows “ESP 12”, rotate VOL knob so that the setting will be changed to “ESP 45”, indicating that Electronic Shock Protection for 45 seconds is activated. Please leave the unit idle for the new setting to take effect.

## **Insert/Eject discs**

Insert a disc into the disc slot with label side up. The disc will be automatically loaded into the unit, even when it is off or in radio mode. For MP3 discs, the word “MP3 DISC” will be displayed as the CD is loaded. The first file in the root folder will be played. As the file is playing “ROOT” will be displayed first, then if there is any ID3 information that will be displayed as the file is playing. For CD discs, the word “LOAD” will blink on the display and the CD will play automatically. Press EJECT button to eject the disc from the slot. If the disc is not removed from the slot within 5 seconds, it will automatically be loaded into the slot again. When the disc is ejected and removed, the unit will automatically switch to radio mode.

## **MP3 Track search mode**

You can use the 4 search modes to find your favorite MP3 songs. The search modes work only with MP3 discs.

### **Simple search**

Press PREV/NEXT button to choose your song. Press the 5/DN10 and 6/UP10 buttons to advance 10 songs up or down.

### **Track search**



Press F/PS button and the display will show “TRK SCH”. At this moment, press VOL knob so that “TRK” will blink on the display. Then rotate the knob to choose your desired track and press the knob again to confirm the selection. The selected track will be searched and play.

### **File search**

Press F/PS button twice and the display will show “FILE SCH”. At this moment, press VOL knob to enter the root folder of the disc. Rotate the knob to choose a folder in the root folder, and press the knob to confirm. The selected folder will be opened.

### **Character search**

Press F/PS button three times and the display will show “CHAR SCH”. This is for searching files by file names. At this moment, press VOL knob so that the initial character will blink on the display. Rotate the knob to select the character and press the knob once to confirm the selection advance to the next character. After you have input the name, press and hold the knob to confirm. The song nearest alphabetically to your input name will be searched and played.

### Multi-session CD reading

This unit can read multi-session CDs. Press and hold VOL knob until “DSP OFF” is shown on the display, then press the knob to cycle through the menu selections until “MULT OFF” is shown. Rotate the knob to choose “MULT ON” or “MULT OFF”. The default is MULT OFF.

### Selecting tracks/Fast Forward/Rewind

Press NEXT button to advance to the next track. Track numbers will be shown on the display. Press and hold NEXT button to fast forward.

Press PREV button to go to a previous track. Track numbers will be shown on the display. Press and hold the PREV button to fast reverse. Disc will play normally when the PREV/NEXT button is released.

### Play/Pause disc

Press 1/PAU button to pause the CD. Press this button again to resume playback.

### Scanning tracks

Press 2/INT button to play the first 10 seconds of each track. Press this button again to resume playback.

### Repeat

Press 3/RPT button to repeat the same track continuously. "RPT ON" will appear on the display. Press this button again to stop repeating.

### Random playback

Press 4/RDM button to play all the tracks in random order. "RDM" (for MP3 disc) or "RDM ON" (for CD disc) will appear on the display. Press the button again to stop random play.

### ID3 tag

If an MP3 file has ID3 Tag information, it will be displayed on the LCD. If there is no ID3 Tag information, nothing will show on LCD. The sequence of ID3 Tag information will be shown as follows: File => Folder => Music => Album => Artist.

# MP3 Overview

---

## Notes on MP3

- MP3 is short for MPEG Audio Layer 3 and refers to an audio compression technology standard.
- This product allows playback of MP3 files on CD-ROM, CD-R or CD-RW discs.
- The unit can read MP3 files written in the format compliant with ISO 9660. However it does not support the MP3 data written by the method of packet write.
- The unit can not read an MP3 file that has a file extension other than “.mp3”.
- If you play a non- MP3 file that has the “.mp3” extension, you may hear some noise.
- In this manual, we refer to what are called “MP3 file” and “folder” in PC terminology as “track” and “album”, respectively.
- Maximum number of directory level is 8, including the root directory. Maximum number of files and folders per disc is 256.
- The unit may not play tracks in the order of Track numbers.
- The unit plays only the audio tracks if a disc contains both audio tracks and MP3 files.
- When playing a disc of 8 kbps or “VBR”, the elapsed playing time in the display window will not be correct and also the intro play may not function properly. “VBR”: Variable Bit Rate.

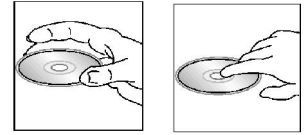
## Notes on creating your own CD-Rs or CD-RWs containing MP3 files

- To enjoy high quality sound, we recommend converting to MP3 files with a sampling frequency of 44.1 kHz and a fixed bit rate of 128 kbps.
- DO NOT store more than 256 MP3 files per disc.
- For ISO 9660 - compliant format, the maximum allowable depth of nested folders is 8, including the root directory (folder).
- When CD-R disc is used, playback is possible only for discs, which have been finalized.
- Make sure that when MP3 CD-R or CD-RW is burned that it is formatted as a data disc and NOT as an audio disc.
- You should not write non-MP3 files or unneeded folders along with MP3 files on the disc otherwise it takes a long time until the unit starts to play MP3 files.
- With some CD-R or CD-RW media, data may not be properly written depending on their manufacturing quality. In this case, data may not be reproduced correctly. High quality CD-R or CD-RW disc is recommended.
- Up to 16 characters are displayed for the name of an Album or a Track. ID3TAG version 1.x is required.
- Note that the unit may not play Tracks in the order that you wrote them to the disc.

## Handling discs

---

- Dirty, scratched or warped discs may cause skip ping or noise.
- Handle the disc only by the edges. To keep clean do not touch its surface.
- Discs should be stored in their cases after use to avoid scratches.
- Do not expose discs to direct sunlight, high humidity, high temperature or dust.
- Prolonged exposure to extreme temperature can warp the disc (such as leaving the discs in your car during summertime).
- Do not stick or write anything on either side of disc. Sharp writing instruments, or the inks used in some felt-tip pens, may damage its surface.
- Do not touch the unlabeled side.
- Do not attach any seal, label or data protection sheet to either side of a disc.



## Cleaning

---

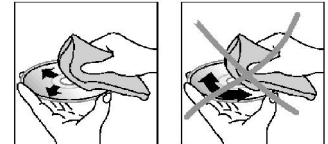
### Cleaning the cabinet

Wipe with a soft cloth. If the cabinet is very dampen (not dropping wet) the cloth with a weak solution of soapy water, and then wipe clean.

### Cleaning discs

Fingerprints should be carefully wiped from the surface of disc with a soft cloth. Unlike conventional records, compact discs have no grooves to collect dust and macroscopic dirt, so gently wiping them with a soft cloth should remove most particles. Wipe in a straight motion from the center to the edge.

Never use thinner benzene, record cleaner or anti static spray on a compact disc. Such chemicals can damage its plastic surface.



# Troubleshooting guide

---

Symptom	Cause	Solution
General No power	The car ignition is not on. The fuse is blown.	If the power supply is properly connected to the car accessory switch the ignition key to "ACC". Replace the fuse.
Disc Disc cannot be loaded.	Presence of disc inside the player.	Remove the disc in the player then put a new upward.
Disc cannot be read.	Inserting the disc in upside down. Compact disc is extremely dirty or defective. Temperature inside the car is too high.	Insert the compact disc with the label facing upward. Clean the disc or try to play a new one. Cool off until the ambient temperature returns to normal.
No sound	Volume is in minimum. Wiring is not properly connected.	Adjust volume to a desired level. Check wiring connection.
The operation buttons do not work.	The built-in microcomputer is not operating properly due to noise. Front panel is not properly fix into its place.	Press the RESET button. Reinstall the front panel.
Sound skips.	The installation angle is more than 30 degrees. The disc is extremely dirty or defective.	Adjust the installation angle to less than 30 degrees. Clean the compact disc/try to play a new one.
The radio does not work, the radio station automatic selection does not work.	The antenna cable is not connected. The signals are too weak.	Insert the antenna cable firmly. Select a station manually.

# Specification

---

<b>General</b>	
Power supply:	12V DC
Fuse:	10 A and 1 A
Maximum power output:	50W x 4
Dimensions (W x H x D):	178 x 51 x 178 mm
ESP function	45 sec. for Audio-CD, 120 sec for MP3
Supported discs	CD/CD-R/CD-RW
Supported formats	CDDA/MP3
<b>FM stereo radio</b>	
Frequency range:	87.5 – 108.0 MHz
Sensitivity:	12dBu
Preset memory:	18 stations
<b>MW section</b>	
Frequency range:	522 kHz – 1620 kHz
Preset memory:	12 stations
<b>Audio specification</b>	
Frequency response:	20 Hz to 20 KHz
Signal to Noise ratio:	>80dB
<b>Line out</b>	
Output:	2 channels RCA line-out (2V)

Specifications are subject to change without notice. Dimensions are approximate.

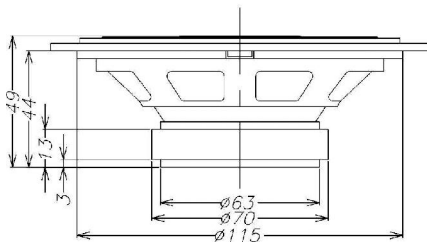
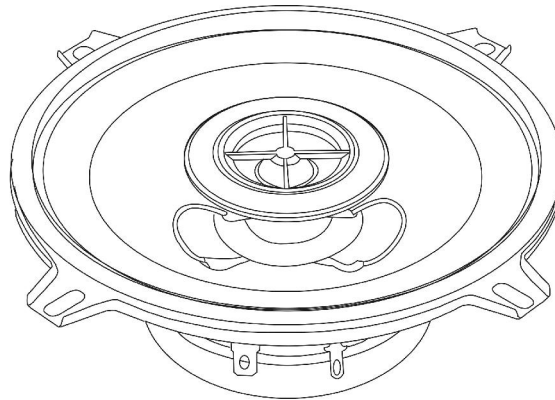
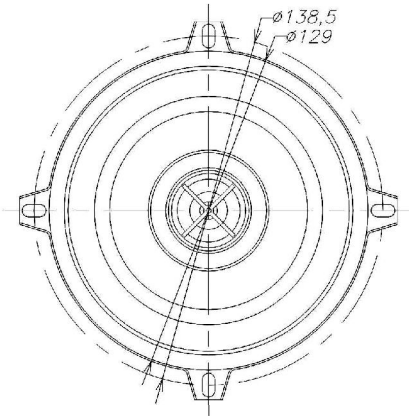
# Instruction manual 13 cm 2 way coaxial acoustic system

## Description

---

The set of acoustic system includes:

- acoustic system
- speaker wire – 2 m
- screw – 8 pcs
- clip – 8 pcs



2 m



(x 8)



(x 8)

## **Important safeguards**

---

- The owner's manual contains important operating and maintenance instructions for your safety. It is necessary to refer the manual.
- Do not install the speakers where they may be subjected to excessive heat moisture, dust or where they will be kicked repeatedly, brushed or bumped.
- Before mounting and connecting the wires be sure that wire of the negative pole terminal is disconnected from accumulator. Nonobservance of this demand may cause the short circuit or fire.
- To prevent short circuit never put or leave any metal objects (e.g. coins or metal tools) inside the acoustic system.
- Make absolutely sure that the terminals for the speakers are connected to the proper outputs from the music source.
- Never run the wiring on the outside of the vehicle or under it where it can be damaged by road hazards or the moving parts of the vehicle. Use existing wire channels, sills, panels and molding strips inside the vehicle to hide the wiring for safety and a neat appliance.
- Make sure the wire of the negative pole terminal is disconnected from accumulator while connecting the speaker terminals. Turn on the various components and slowly advance the volume. Remember to check and re-check all connections to insure proper installation and use.
- Do not continuously use the speaker system beyond the nominal power handling capacity.
- Keep recorded tapes, watches, and personal credit cards using magnetic coding away from the speaker system to protect them from damage caused by the magnets in the speakers.
- If you cannot find the appropriate mounting location, consult your car dealer or your nearest dealer before mounting.

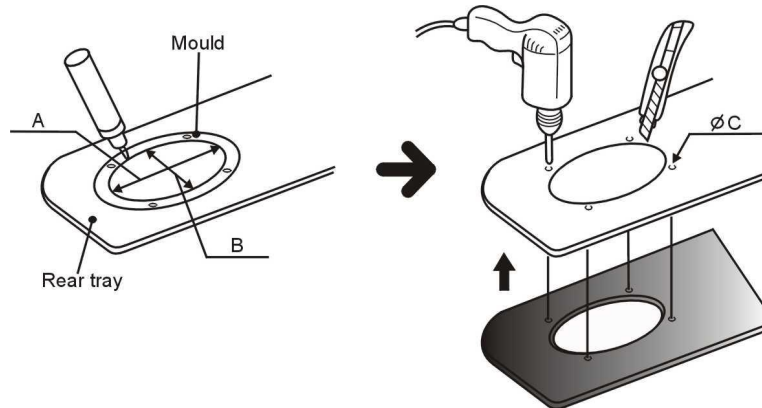
**CAUTION:** Take extreme caution when working near the gas tank, gas lines, brake or hydraulic lines and electrical wiring.



## Mounting the speakers

Installation kits are available from your dealer or local stereo shop to help make your installation easy. These kits also give your installation a clean, custom appearance. Questions about installations methods please consult a professional auto sound dealer/installer for assistance.

- Choose the place of installation for acoustic system. For most acoustic system stipulated regular places in the automobile approach. In this case you need to know only assembly depth. Before installation acoustic system check up their assembly depth.
- At a choice of a non-standard arrangement of speakers at which it is necessary to cut them in panels of the automobile, use a mould (not included). For achievement of ideal arrangement of acoustic system keep up geometry of a mould, as it is very important for correct installation of your system ( $A=B=115$  mm,  $\text{Ø}C=5$  mm).

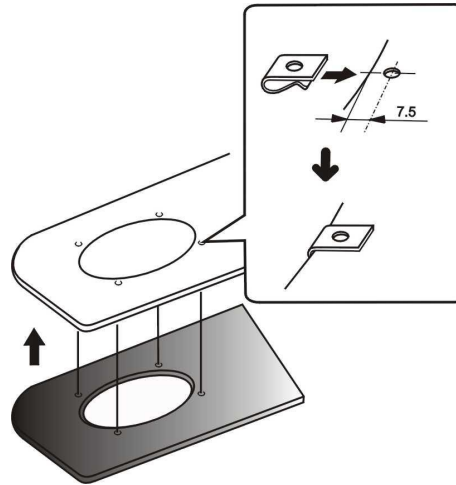


- If it will be necessary to cut steel, reinstall the cosmetic panel in place and use the hole you have previously cut as a template. This will help to insure proper cutting and a good fit. Now, mark the locations for the speakers mounting screws, remove the panel and drill the screw holes. When finished you may replace the panel.
- After cutting and drilling all holes, inspect the mounting areas for any metal burrs or rough edges. File any area that may interfere with the mounting of the speaker.
- Clean any metal shavings from the mounting area and check for areas in which water may enter the speaker cavity. Treat the area for water protection when necessary.

## Securing the speakers

---

- Position the speaker into the mounting hole and reconfirm the correct mounting location and hole placement.
- Screw clips are provided to ensure a snug fit. These should be placed over the metal surface and line up the hole you have previously drilled with the screw clip. Place the speaker into the hole, align the holes and proceed to insert the screws. Be sure to tighten the screws evenly so that it will not warp the speaker frame.



- Turn your system back on and confirm the speakers operation first at a low volume and then you may increase the volume as you desire.

## **If unit fails to operate properly**

---

- Carefully read the instruction to make sure the unit is being operated properly. Check the following before you take your unit to the local dealer for repair.

SYMPTOM	POSSIBLE CAUSE	SOLUTION
No sound	The volume control regulator set in the minimal position	Adjust sound level
	Bad power connections	Check to see that all the power and speaker leads are securely connected
	The audio cassette receiver is damaged	Take your unit to the local dealer for repair
Unnatural sound	Acoustic system cables are connected without observance of polarity (+ or -)	Check to see that all the power and speaker leads are securely connected
	Damage speaker wire or speaker	Replace the speaker or speaker wires
	The audio cassette receiver is damaged	Take your unit to the local dealer for repair

**NOTE:** Good ground connections eliminate most electrical noise problems and require tight contact with the metal vehicle chassis. Remove plastics, paint or rust for good electrical contact.

# Specification

---

Loudspeaker cone	woofer: polypropylene cone tweeter: 20 mm piezo
Magnet	5.3 Oz
Peak output power	120 W
Rated output power	60 W
Impedance	4 Ohm
Sensitivity	90 dB
Frequency response	80 – 20000 Hz
Dimensions	138.5 x 49 mm
Net/Gross weight	0.38 kg/0.8 kg
Gift box dimension (L x W)	275 mm x 135 mm

## Уважаемый покупатель!

Благодарим Вас за покупку нашего изделия. Для обеспечения безопасности рекомендуется тщательно изучить настоящее руководство перед подключением, эксплуатацией и/или регулировкой изделия, и сохраняйте руководство для использования в будущем.

## Содержание

---

Содержание .....	30
<b>Инструкция к CD/MP3-ресиверу .....</b>	<b>31</b>
Меры предосторожности .....	31
Комплект поставки.....	32
Установка/Подключение .....	33
Элементы управления .....	39
Основные операции .....	40
Операции с радио .....	42
Операции с дисками CD/MP3 .....	44
Обзор MP3 .....	47
Обращение с дисками .....	49
Чистка и уход.....	49
Руководство по устранению неисправностей .....	50
Технические характеристики.....	51
<b>Инструкция к 13 см 2-полосной коаксиальной акустической системе.....</b>	<b>52</b>
Описание .....	52
Меры безопасности.....	53
Установка акустической системы.....	54
Фиксация акустической системы .....	55
Причины неисправности акустической системы.....	56
Технические характеристики.....	57

## Инструкция к CD/MP3-ресиверу

### Меры предосторожности

---

- Использование данного устройства при температуре ниже  $-10^{\circ}\text{C}$  может привести к поломке. Перед использованием предварительно прогрейте салон автомобиля до рекомендованной температуры!
- Тщательно изучите настоящую инструкцию, чтобы ознакомиться с высококачественной стереосистемой.
- При установке и подключении изделия отключите отрицательную клемму аккумулятора автомобиля.
- При замене предохранителя, убедитесь, что вы устанавливаете предохранитель с тем же номиналом. Используя предохранитель с повышенным значением тока, можно причинить значительные повреждения изделию.
- Не пытайтесь разбирать изделие. Лазерные лучи, исходящие из блока оптической головки считывания информации с компакт-диска, опасны для глаз.
- Убедитесь, что шпильки или другие посторонние предметы не попали внутрь изделия. Они могут вызвать сбой в работе или стать причиной опасности, такой, как поражение электрическим током или лазерным лучом.
- Если вы ставите автомобиль на стоянку на длительное время в жаркое или холодное время года, подождите, пока температура в автомобиле не станет нормальной, перед тем как включать изделие.
- Не открывайте крышки и не проводите ремонт самостоятельно. Обратитесь к дилеру или квалифицированному персоналу
- Убедитесь, вы отключаете источник питания и антенну, если вы не будете пользоваться системой в течение длительного времени или во время грозы.
- Убедитесь, что вы отключаете источник питания, если обнаружена неправильная работа системы, система издает необычные звуки, запах, выделяет дым или внутрь ее попала жидкость. Проведите квалифицированный технический осмотр системы.
- Прибор разработан так, чтобы отрицательный вывод аккумулятора был подключен к корпусу транспортного средства. Пожалуйста, убедитесь в этом перед установкой.
- Не позволяйте проводам динамиков касаться друг друга при включении прибора. В противном случае, может быть перегружен или выйти из строя усилитель питания.
- Не устанавливайте съемную панель перед подключением кабеля.

## Комплект поставки

---

1. Гайка 5 мм	1 шт
2. Пружинная шайба	2 шт
3. Винт (5x25 мм)	1 шт
4. Винт	1 шт
5. Плоская шайба	2 шт
6. Металлическая планка	1 шт
7. Инструкция по эксплуатации	1 шт
8. Ключ	2 шт
9. Установочная втулка	1 шт
10. Разъем	1 шт
11. Съемный корпус лицевой панели	1 шт
12. Декоративная панель	1 шт
13. Гарантийный талон	1 шт
14. Информация для потребителя	1 шт
15. ISO коннектор	1 шт

# Установка/Подключение

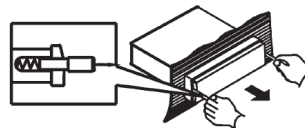
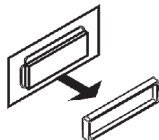
---

После подключения всего оборудования проверьте правильность подключения. Если Вы не уверены, что сможете квалифицировано выполнить все электрические подключения, обратитесь в специализированный центр, чтобы Вам правильно установили устройство.

## Перед установкой

### 1. Извлеките старое устройство из приборной панели.

- Удалите съемную рамку.
- Вставьте ключи, входящие в комплект старого устройства по обеим сторонам устройства до щелчка, как изображено на рисунке ниже. Потяните устройство, чтобы извлечь его. Не отсоединяйте электрические провода на этом этапе демонтажа!



### 2. Пометьте полярность электрических соединений динамиков.

Пометка полярности проводов динамиков поможет при подключении динамиков к Вашему новому устройству. Перед подключением ознакомьтесь со схемой электрических соединений.

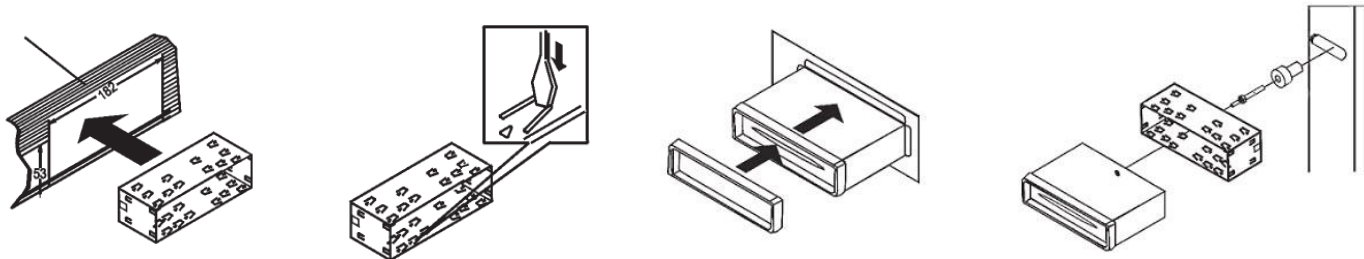
- Когда старое устройство находится в статусе воспроизведения, отсоедините проводку одного из динамиков.
- Возьмите отрезок изоляционной ленты и обмотайте его вокруг отсоединенного провода в форме флажка.
- На флажке обозначьте полярность провода динамика (+ и -), а также расположение динамика (правый/левый/передний/задний).
- Повторите эту процедуру для остальных динамиков.
- Пометьте провода питания, заземления и др.



## Способ установки А

**Внимание:** Отсоедините отрицательный полюс аккумулятора перед началом установки. Для более подробной информации изучите инструкцию к автомобилю.

1. После извлечения старого устройства и монтажной рамки вставьте новую монтажную рамку в отверстие.
2. Загните зубцы на монтажной рамке для прочной фиксации рамки.
3. При подключении электрической проводки см. Схему электрических соединений. Вставьте устройство в приборную панель. Затем установите внешнюю рамку на устройство.
4. Прикрепите устройство с помощью тылового крепежного болта и стальной пластины.



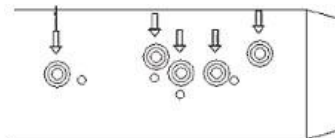
## Способ установки Б

**Примечание:** Внешняя рамка, крючки и крепежная рамка не нужны при описанном выше способе установки.

Данное руководство может использоваться только для получения общей информации, для получения более подробной информации обращайтесь к дилеру.

Существует второй способ установки, который предполагает использование винтовых отверстий по бокам устройства и отверстий в монтажном кронштейне.

1. Снимите крючки с обеих сторон устройства.
2. Совместите отверстия в кронштейне с отверстиями по бокам устройства. Закрутите 2 винта в данные отверстия. Затем закрепите кронштейны в приборной панели автомобиля.
3. Подключите к устройству необходимое оборудование, используя схему электрических соединений.



### Снятие панели

Нажмите на кнопку REL чтобы снять панель.

### Подсоединение съемной панели

Установите левую сторону панели в держатель. Нажмите на правую сторону панели, чтобы она защелкнулась.

### **Внимание:**

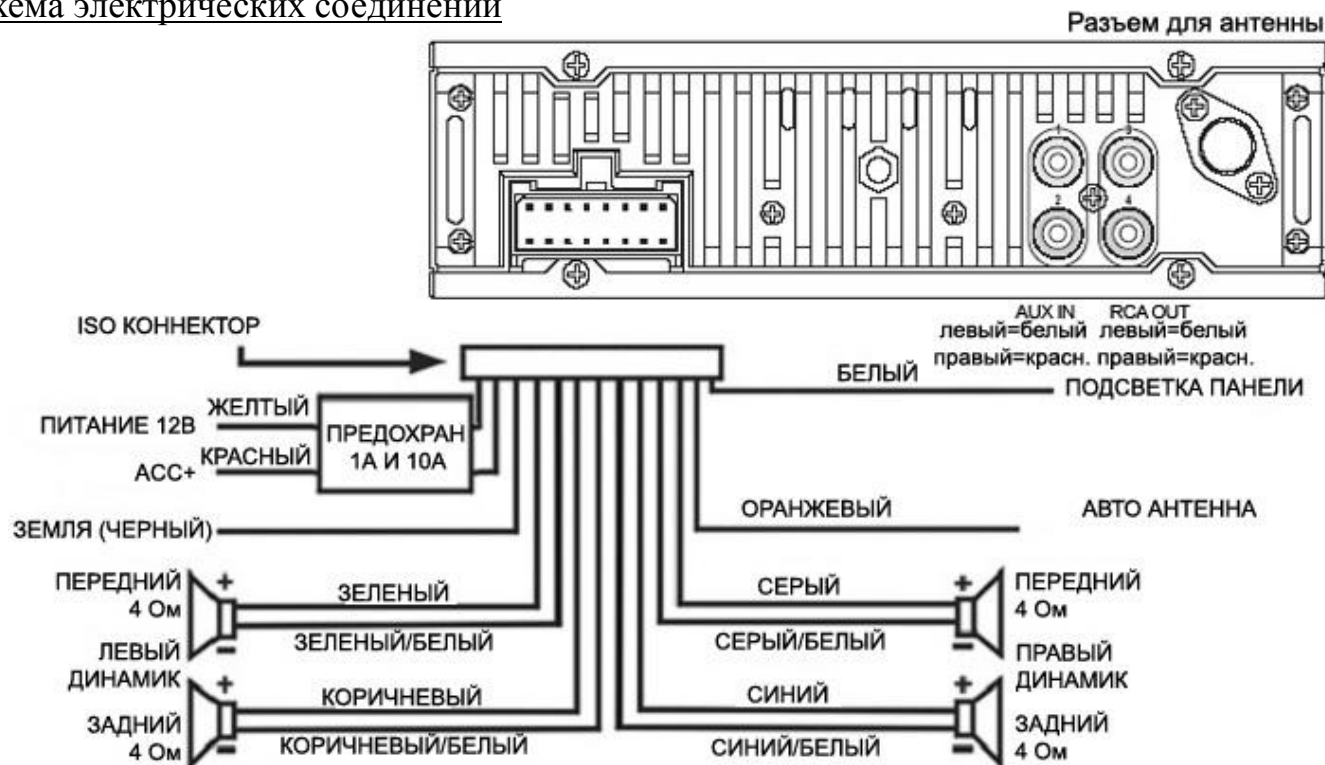
Не вставляйте панель с правой стороны. Это может повредить ее.

Панель может повредиться из-за внешних факторов: ударов, падения, попадания влаги. После снятия ее с устройства держите панель в защитном футляре и старайтесь не ронять и не подвергать механическим воздействиям.

Очень важным элементом является коннектор на задней части панели. Не нажимайте на него посторонними предметами (ногтями, ручками, отвертками).

**Примечание:** Если панель загрязнилась или запылилась, протрите ее сухой чистой тканью. Для чистки разъема в задней части панели используйте тампон, смоченный техническим спиртом.

## Схема электрических соединений



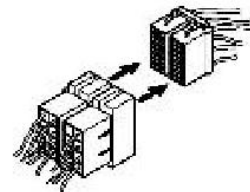
### Примечания

Ориентируйтесь на приведенную схему при подключении электрического оборудования к устройству.

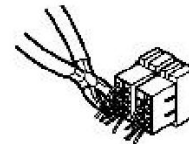
- Вы можете подключить 4 динамика с импедансом от 4 до 8 Ом.
- Не подключайте динамики с импедансом менее 4 Ом, это может повредить устройство.
- Не шунтируйте и не замыкайте провода динамиков. Если Вы не используете все 4 имеющихся в наличии динамика, изолируйте концы проводов с помощью изоляционной ленты во избежание короткого замыкания.
- Не заземляйте отрицательные клеммы проводов динамиков на корпус автомобиля.

## Использование разъема ISO

1. Если в Вашем автомобиле есть разъем ISO, произведите подключение, как показано на рисунке.



2. Для подключений без разъемов ISO внимательно проверьте все провода перед подключением, неправильное подключение может привести к повреждениям изделия. Обрежьте разъем, подключите цветные головки разъема к шнуру питания батареи в соответствии с приведенной таблицей.

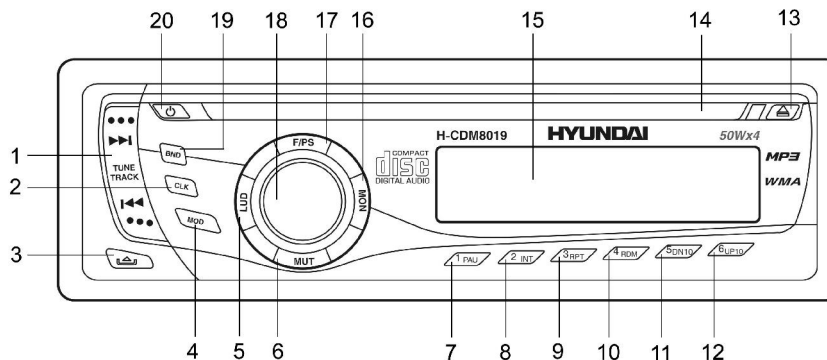


Номер	Функция	
	Разъем А	Разъем В
1		Задний правый(+)--Голубой
2		Задний правый(-)--Голубой/Белый
3		Передний правый(+)--Серый
4	Питание 12В (+)/желтый	Передний правый(-)--Серый/Белый
5	Авто антенна /оранжевый	Передний левый(+)--Зеленый
6	Подсветка панели/белый	Передний левый((-)--Зеленый/Белый
7	АСС+/красный	Задний левый(+)--Коричневый
8	Земля/черный	Задний левый(-)--Коричневый/Белый

# Элементы управления

## Передняя панель

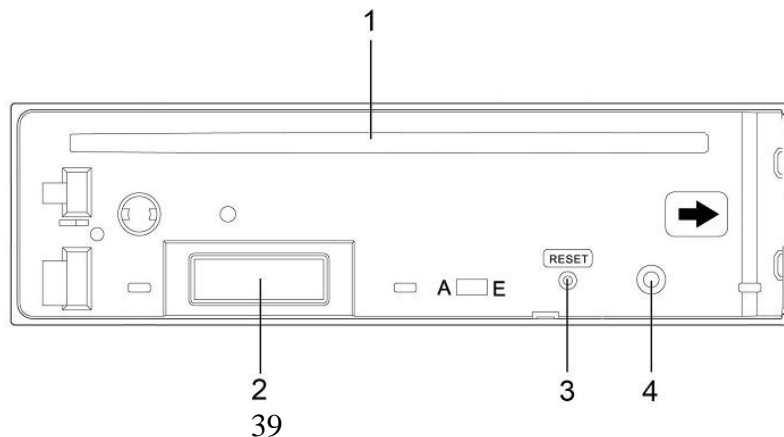
1. Кнопка NEXT/PREV
2. Кнопка CLK
3. Кнопка RELEASE
4. Кнопка MOD
5. Кнопка LUD
6. Кнопка MUT
7. Кнопка 1/PAU
8. Кнопка 2/INT
9. Кнопка 3/RPT
10. Кнопка 4/RDM
11. Кнопка 5/DN10
12. Кнопка 6/UP10
13. Кнопка EJECT
14. Слот для дисков
15. ЖК дисплей



16. Кнопка MON
17. Кнопка F/PS
18. Регулятор VOL
19. Кнопка BND
20. Кнопка POWER

## Внутренняя панель

1. Слот для дисков
2. Коннектор
3. Кнопка RESET
4. ЖК индикатор



# **Основные операции**

---

## Включение/выключение устройства

Нажмите любую кнопку для включения устройства, на дисплее появится надпись WELCOME, означающая, что устройство включено. Нажмите и удерживайте кнопку POWER для выключения изделия.

## Выбор режима

Нажмите кнопку MOD для выбора режима Aux, Радио или CD/MP3.

## Регулирование громкости

Уровень громкости звука регулируется путем вращения регулятора VOL в любом режиме.

## Режим LOUD

Нажмите кнопку LUD для усиления низких частот, на дисплее отобразится надпись «LOUD ON», означающая что режим LOUD активирован. Для отключения режима нажмите кнопку LUD повторно.

## Режим «Без звука»

Нажмите кнопку MUT, чтобы отключить звук. Для отключения беззвучного режима нажмите повторно кнопку MUT или вращайте регулятор VOL.

## Регулирование низких, высоких частот, баланса и фейдера

Нажмите регулятор VOL для выбора одного из параметров: bass (низкие частоты), treble (высокие частоты), balance (баланс между правым и левым каналами) или fader (фейдер, или баланс между передним и задним каналами). На дисплее отобразится соответствующее слово. Вращайте регулятор VOL, чтобы настроить выбранный параметр. При включенной функции DSP регулирование высоких и низких частот невозможно.

## Режим BEEP

Нажмите и удерживайте регулятор VOL в течение 2 секунд; на дисплее отобразится надпись «DSP OFF». Нажимайте регулятор VOL, пока на дисплее не отразится надпись «BEEP OFF», вращайте регулятор VOL для переключения между BEEP ON (вкл) и BEEP OFF (выкл), затем в течение некоторого времени не выполняйте никаких операций, чтобы внесенные настройки вступили в силу.

## Установка часов

Вы можете настроить отображение времени на дисплее при включенном питании изделия. Нажмите кнопку CLK, затем нажмите и удерживайте кнопку CLK в течение 3 секунд, на дисплее начнет мигать время.

1. Вращайте регулятор VOL по часовой стрелке для установки часов.
2. Вращайте регулятор VOL против часовой стрелки для установки минут.
3. Нажмите снова кнопку CLK или оставьте изделие, чтобы настройки вступили в силу.

В любое время нажмите кнопку CLK, чтобы посмотреть текущее время.

## Режим DSP

Нажмите и удерживайте регулятор VOL в течение 2 секунд, на дисплее отобразится надпись DSP OFF.

Вращайте регулятор VOL, чтобы выбрать нужный режим DSP:

POP → ROCK → CLASSIC → FLAT → DSP OFF (выкл)



После выбора режима в течение некоторого времени не выполняйте никаких операций, чтобы внесенные настройки вступили в силу.

## Разъем Aux, выход RCA

### **1. Дополнительный вход AUX**

Вставьте штекер кабеля AUX в разъем AUX IN на задней панели устройства. Подключите другой конец AUX кабеля к разъему для наушников внешнего устройства, например, MP3 плеера. Нажмите кнопку MOD, чтобы выбрать режим AUX. Для регулирования громкости используйте регулятор VOL.

### **2. Выход RCA**

Выход RCA расположен на задней панели устройства. Он служит для подключения усилителя, эквалайзера и других внешних устройств. При подключении внешнего устройства следуйте инструкциям к этому устройству.



# Операции с радио

---

## Выбор диапазона радио

Нажмите кнопку BND, чтобы включить режим Радио (даже если воспроизводится диск). Устройство имеет 3 FM диапазона (FM1, FM2 и FM3) и 2 MW диапазона (MW1 и MW2). В каждом из поддиапазонов можно сохранить до 6 станций (всего возможно сохранить 30 станций).

## Поиск радиостанции

В режиме Радио нажмите кнопки PREV/NEXT, чтобы осуществить поиск частоты вручную.

## Режимы автоматического поиска

Нажмите и удерживайте регулятор VOL, пока на дисплее не отобразится «DSP OFF»; затем нажимайте регулятор VOL, пока не будет найдено меню «SEEK 1». Вращайте регулятор VOL, чтобы выбрать «SEEK 1» (поиск 1) или «SEEK 2» (поиск 2).

1. **Поиск 1:** нажмите и удерживайте кнопки PREV/NEXT более чем 1 секунду. Устройство осуществит поиск ближайшей частоты с сильным приемом. Для поиска других станций с сильным приемом повторите это действие.

2. **Поиск 2:** нажмите и удерживайте кнопку PREV/NEXT для поиска станций. Поиск прекратится, когда кнопка будет отпущена.

## Выбор моно/стерео приема

В режиме FM радио нажмите кнопку MON для переключения между режимами приема моно и стерео. На дисплее отобразится соответственно «MONO» или «STEREO». Улучшить качество приема удаленной радиостанции можно путем выбора режима моно; в этом случае будут снижены шумы при приеме станции.

## Сохранение станций

На устройстве имеется шесть кнопок с цифрами, с помощью которых можно сохранять и затем вызывать радиостанции в каждом поддиапазоне. Если при прослушивании радиостанции Вы хотите сохранить ее в память, нажмите и удерживайте одну из шести пронумерованных кнопок до звукового сигнала. В дальнейшем эта кнопка будет использоваться для вызова сохраненной станции.

## Автоматическое сохранение/обзор станций

1. **Автоматическое сканирование и сохранение:** при прослушивании FM радио нажмите и удерживайте кнопку F/PS более чем 3 секунды. Устройство автоматически просканирует сохраненные станции этого FM поддиапазона. При прослушивании AM радио нажмите и удерживайте кнопку F/PS более чем 3 секунды. Устройство автоматически просканирует сохраненные станции этого AM поддиапазона.

2. **Сканирование сохраненных станций:** В режиме FM нажмите кнопку F/PS для сканирования станций в данном FM поддиапазоне; в режиме AM нажмите кнопку F/PS для сканирования станций в данном AM поддиапазоне.

# Операции с дисками CD/MP3

---

## Электронная система стабилизации (ESP)

Электронная система стабилизации необходима при движении по неровной дороге.

### **Для MP3 дисков**

Электронная система стабилизации для MP3 дисков является функцией по умолчанию. Данная функция поддерживает диски, содержащие файлы, записанные с параметрами 96 Кб/с и 32000 Гц. Для файлов, записанных с более высоким качеством, длительность ESP будет возрастать пропорционально размеру файла.

### **Для CD дисков**

Нажмите и удерживайте регулятор VOL в течение 2 секунд, на дисплее отобразится «DSP OFF». Нажмите регулятор повторно, на дисплее отобразится надпись «ESP 12», означающая, что выбрана система стабилизации на 12 секунд.

После этого вращайте регулятор, чтобы выбрать систему стабилизации на 45 секунд, на дисплее отобразится «ESP 45». Затем некоторое время не выполняйте никаких операций, чтобы настройки сохранились.

## Установка/извлечение диска

Вставьте диск в слот для дисков стороной с надписью вверх. Диск автоматически загрузится в устройство, даже если устройство находится в режиме Радио. Для MP3 дисков, на дисплее при загрузке диска отобразится «MP3 DISC». Начнется воспроизведение первого файла в корневой папке. При этом сначала на дисплее отобразится слово «ROOT», затем начнется отображение ID3 тэга, если таковые имеются. Для CD диска, на дисплее будет мигать слово «LOAD», воспроизведение диска начнется автоматически. Нажмите кнопку EJECT для извлечения диска из устройства. Если после этого в течение 5 секунд не извлечь диск из слота, он будет загружен обратно в слот. При полном извлечении диска устройство автоматически переключится в режим Радио.

## Режимы поиска MP3 файла

Доступны четыре режима поиска MP3 файлов. Эти режимы активны только для MP3 дисков.

### **Простой поиск**

Нажимайте кнопки PREV/NEXT для выбора файла. Для продвижения на 10 файлов назад или вперед нажимайте соответственно кнопки 5/DN10 и 6/UP10.

### **Поиск трека**

Нажмите кнопку F/PS, на дисплее отобразится надпись «TRK SCH». Нажмите регулятор VOL, на дисплее будет мигать надпись «TRK». Затем вращайте регулятор, чтобы выбрать нужный трек, для подтверждения выбора нажмите регулятор. Устройство начнет воспроизведение выбранного трека.

### **Поиск файла**

Дважды нажмите кнопку F/PS, на дисплее отобразится надпись «FILE SCH». Нажмите регулятор VOL, чтобы войти в корневую папку диска. Вращайте регулятор, чтобы выбрать папку в корневой папке, затем нажмите регулятор для подтверждения. Выбранная папка будет открыта.

### **Поиск по начальному символу**

Трижды нажмите кнопку F/PS, на дисплее отобразится надпись «CHAR SCH». Теперь поиск может быть осуществлен по имени файла. Нажмите регулятор VOL, на дисплее будет мигать начальная буква имени файла. Вращайте регулятор, чтобы выбрать нужную букву, затем нажмите регулятор для подтверждения выбора и перехода к следующей букве. После введения имени файла нажмите и удерживайте регулятор для подтверждения. Начнется воспроизведение файла с именем, максимально соответствующим введенному имени.

### **Чтение мультисессионных дисков**

Данное устройство может читать мультисессионные диски. Нажмите и удерживайте регулятор VOL, пока на дисплее не отобразится «DSP OFF», затем вращайте регулятор переключения на меню «MULT OFF». Вращайте регулятор для выбора «MULT ON» (вкл) или «MULT OFF» (выкл). По умолчанию установлено MULT OFF.

### **Выбор треков/Перемотка**

Нажмите кнопку NEXT для перехода к следующему треку. На дисплее будут отображаться номера треков. Для перемотки вперед нажмите и удерживайте кнопку NEXT.

Нажмите кнопку PREV для перехода к предыдущему треку. На дисплее будут отображаться номера треков. Для перемотки назад нажмите и удерживайте кнопку PREV. Нормальное воспроизведение возобновится, когда кнопки PREV/NEXT будут отпущены.

### Воспроизведение/Пауза

Нажмите кнопку 1/PAU, чтобы поставить воспроизведение на паузу. Нажмите кнопку повторно для возобновления воспроизведения.

### Сканирование треков

Нажмите кнопку 2/INT для воспроизведения первых 10 секунд каждого трека. Для возобновления нормального воспроизведения нажмите кнопку повторно.

### Повтор

Нажмите кнопку 3/RPT для повторного воспроизведения текущего трека. На дисплее отобразится надпись «RPT ON» (вкл). Нажмите кнопку еще раз для отмены повторного воспроизведения.

### Воспроизведение в произвольном порядке

Нажмите кнопку 4/RDM для воспроизведения файлов в произвольном порядке. На дисплее отобразится надпись «RDM» (для MP3 дисков) или «RDM ON» (для CD дисков). Для возобновления нормального воспроизведения нажмите кнопку повторно.

### ID3 тэги

Если MP3 файл содержит информацию ID3, такая информация будет отображаться на дисплее при воспроизведении трека. При отсутствии ID3 информации на дисплее ничего отображаться не будет. Последовательность отображения ID3 информации следующая: File (файл) => Folder (папка) => Music (музыка) => Album (альбом) => Artist (исполнитель).

# Обзор MP3

---

## Замечания по MP3

- MP3 - это краткое обозначение аудио слоя MPEG 3 и относится к стандарту технологии сжатия звука.
- Данное изделие позволяет воспроизводить файлы MP3 на дисках CD-ROM, CD-R или CD-RW.
- Изделие может считывать файлы MP3, записанные в формате, соответствующем ISO 9660. Однако оно не поддерживает данные MP3, записанные методом пакетной записи.
- Изделие не может считывать файлы MP3, которые имеют расширение файла, отличающееся от «.mp3».
- Если вы воспроизводите не MP3 файл, который имеет расширение «.mp3», вы можете слышать некоторые шумы.
- В данном руководстве мы рассматриваем файлы, называемые «файлами MP3» и «папкой», а в технологии PC «треком» и «альбомом» соответственно.
- Максимальное количество уровней директории равно 8, включая корневую директорию. Максимальное количество файлов и папок на диске 256.
- Изделие может не воспроизводить дорожки в последовательном порядке.
- Изделие воспроизводит только аудио треки, если диск содержит как аудио треки, так и файлы MP3.
- При воспроизведении диска 8 килобит или VBR истекшее время воспроизведения в окне дисплея будет неправильным, а также ознакомительное воспроизведение может не действовать надлежащим образом.  
VBR: Переменная скорость передачи битов.

## Замечание по созданию собственных CD-R или CD-RW, содержащих файлы MP3.

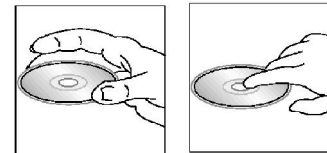
- Для получения высокого качества звука мы рекомендуем преобразовывать файлы MP3 с эталонной частотой 44,1 кГц и фиксированным битрейтом 128 кбит/сек.
- НЕ сохраняйте более 256 файлов MP3 на диске.
- Для формата, совместимого с ISO 9660, максимально допустимая глубина вложенных папок равняется 8, включая корневую директорию (папку).
- При использовании диска CD-R воспроизведение возможно только для дисков, которые были закончены.
- Убедитесь, что при записи MP3 CD-R или CD-RW были отформатированы как диски данных, а НЕ как аудио диски.
- Вы не должны записывать не-MP3 файлы или ненужные папки вместе с файлами MP3 на диск, в противном случае потребуются много времени, пока изделие начнет воспроизводить файлы MP3.

- На некоторых CD-R или CD-RW данные могут быть записаны ненадлежащим образом в зависимости от качества их производства. В этом случае данные могут быть воспроизведены ненадлежащим образом. Рекомендуются диски CD-R или CD-RW высокого качества.
- Имя альбома или композиции может содержать до 16 символов. Необходима версия 1.x ID3TAG.
- Помните, что изделие может воспроизводить треки не в том порядке, в котором они записаны на диске.

## Обращение с дисками

---

- Грязные, поцарапанные или погнутые диски могут вызвать искажение звука или шумы
- Держите диск только за края (как показано на рисунке). Чтобы обеспечить чистоту, не прикасайтесь к его поверхности.
- Диски должны храниться в их чехлах после использования, чтобы не поцарапать их поверхность.
- Не подвергайте диски действию прямого солнечного света, повышенной влажности, повышенным температурам или действию пыли.
- Продолжительное влияние предельных температур может изогнуть диск (например, пребывание дисков в автомобиле в летнее время).
- Не царапайте и не пишите что-либо на любой стороне диска. Острые пишущие инструменты или чернила, используемые в них, могут повредить поверхность диска.
- Не прикасайтесь к стороне, не имеющей маркировки.
- Не прикрепляйте какую-либо печать, этикетку или лист предохранения данных к любой стороне диска.



## Чистка и уход

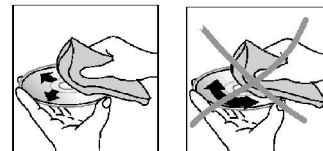
---

### Чистка корпуса

Протирайте мягкой тканью. Если корпус очень загрязнен (не мочите его), используйте ткань, слегка смоченную мыльным раствором, и затем вытрите его сухой тканью.

### Чистка дисков

Отпечатки пальцев должны быть тщательно стерты с поверхности диска мягкой тканью. В отличие от обычных пластинок, компакт-диски не имеют канавок для сбора пыли и микроскопических частиц грязи, поэтому осторожно вытирайте их мягкой тканью, чтобы убрать частицы грязи. Вытирайте прямолинейным движением от центра к краю.



Никогда не используйте растворитель, бензин, очиститель пластинок или антистатический аэрозоль для чистки дисков. Такие химические вещества могут повредить его пластиковые поверхности.



## Руководство по устранению неисправностей

Неисправность	Причина	Решение
Нет питания	Зажигание машины не включено.  Сгорел предохранитель.	Если источник питания подключен надлежащим образом к выключателю машины, установите ключ зажигания в положение «АСС». Замените предохранитель.
Невозможно загрузить диск	В устройство установлен диск.	Удалите диск из устройства, затем установите новый.
Невозможно считать диск	Диск установлен верхней стороной вниз.  Диск загрязнен или имеет дефект. Температура внутри машины очень высокая.	Установите компакт диск стороной с этикеткой вверх. Очистите диск или установите новый. Подождите, пока температура не станет нормальной.
Нет звука	Звук установлен на минимум.  Кабель не подключен надлежащим образом.	Отрегулируйте звук до необходимого уровня. Проверьте подключение кабеля.
Не действуют функциональные ключи	Встроенный микрокомпьютер не работает надлежащим образом из-за шумов. Передняя панель не установлена на свое место.	Нажмите кнопку RESET.  Повторно установите переднюю панель.
Звук пропадает	Угол установки более 30 градусов.  Диск загрязнен или имеет дефект.	Отрегулируйте угол установки, установив его менее 30 градусов. Очистите диск или установите новый.
Радио не работает. Не работает автоматический выбор радиостанции	Антенный кабель не подключен. Сигналы слишком слабы.	Вставьте антенный кабель надежно. Выберите станцию вручную.

## Технические характеристики

<b>Общие</b>	
Источник питания:	12 В
Предохранитель:	10 А и 1 А
Максимальная выходная мощность:	50 Вт x 4 канала
Размеры (Ш x В x Д):	178 x 51 x 178 mm
Функция ESP:	45 с для CD/120 с для MP3
Типы поддерживаемых дисков	CD/CD-R/CD-RW
Поддерживаемые форматы	CDDA/MP3
<b>FM радио</b>	
Частотный диапазон:	87,5 – 108,0 МГц
Чувствительность:	12 дБ
Количество сохраняемых станций:	18 станций
<b>MW радио</b>	
Частотный диапазон:	522 кГц – 1620 кГц
Количество сохраняемых станций:	12 станций
<b>Аудио</b>	
Частотный диапазон:	20 Гц - 20 кГц
Уровень сигнал/шум/Разделение	>80 дБ
<b>Линейный выход</b>	
Выход:	Два линейных RCA-выхода (2 В)

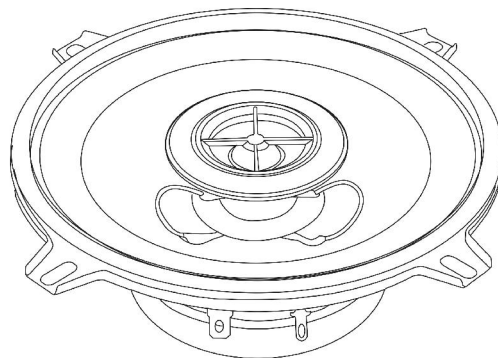
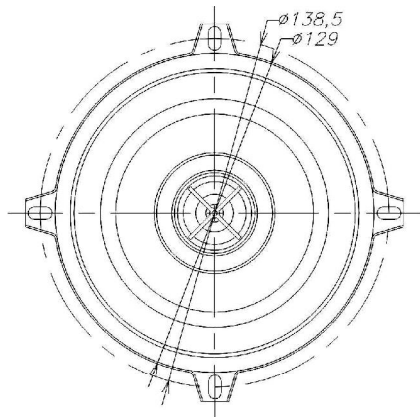
Технические характеристики могут быть изменены заводом-изготовителем без предварительного уведомления.

Указанные геометрические размеры имеют приблизительные значения.



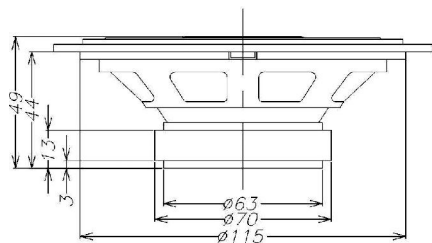
# Инструкция к 13 см 2-полосной коаксиальной акустической системе

## Описание



В состав комплекта входит:

- акустическая система
- провод – 2 м
- винт – 8 шт.
- хомут – 8 шт.



2 м



(x 8)



(x 8)

## Меры безопасности

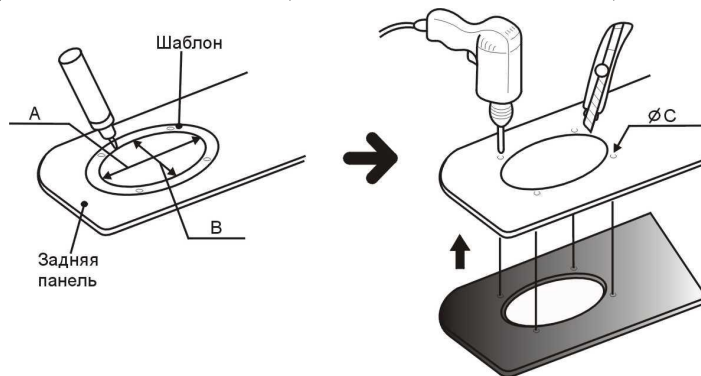
---

- В руководстве указаны важные указания по эксплуатации и уходу. Сохраните руководство по эксплуатации для последующего использования.
  - Не устанавливайте динамики на неровной поверхности, а также в местах, подверженных воздействию влажности, высокой температуры, пыли и сильной вибрации.
  - Перед креплением и подключением проводов убедитесь в том, что провод от отрицательной клеммы (-) аккумулятора отсоединен. Несоблюдение этого требования может привести к возникновению короткого замыкания или пожара.
  - Чтобы предотвратить возникновение короткого замыкания, никогда не кладите и не оставляйте никаких металлических предметов (например, монет или металлических инструментов) внутри акустической системы.
  - Убедитесь, что клеммы проводов динамиков подключены к соответствующим выходным зажимам автомагнитолы.
  - Никогда не прокладывайте электропроводку с внешней стороны автомобиля или под ним, где она может быть повреждена неровностями на дороге или подвижными деталями автомобиля. При установке динамиков для маскировки и сохранности электропроводки, используйте предусмотренные заранее места, такие как пороги, панели и обшивку салона.
  - Во время подключения клеммы проводов убедитесь, что провод от отрицательной клеммы (-) аккумулятора отсоединен. Проверьте все соединения и убедитесь в правильности подключения, для обеспечения идеальной работы акустической системы.
  - Избегайте длительного превышения номинальной мощности звукового сигнала, подаваемого на акустические системы.
  - Не держите вблизи от акустических систем кассеты с записью, часы или кредитные карточки с магнитным кодом во избежание их повреждения под воздействием магнитов, имеющихся в динамиках.
  - Если Вы самостоятельно не можете найти подходящее место для установки акустических систем, обращайтесь за советом в ближайшую автомобильную мастерскую или к ближайшему дилеру.
- ВНИМАНИЕ:** Соблюдайте технику безопасности при работе около бензобака, газовых магистралей, гидравлических линий и линий электропроводки.

## Установка акустической системы

Наборы инструментов для установки автомобильной акустической системы можно приобрести у Вашего дилера или в местном магазине аудио аппаратуры. Эти наборы помогут Вам легко произвести установку динамиков. Со всеми вопросами, связанными с методами установки акустических систем, обращайтесь к профессиональным дилерам автомобильной аудио аппаратуры.

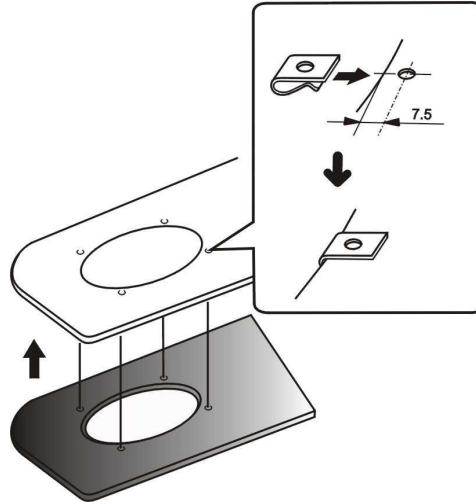
- Выберите место установки автомобильной акустической системы. Для большинства динамиков подходят предусмотренные штатные места в автомобиле. В этом случае Вам понадобится знать только монтажную глубину. Перед установкой динамиков проверьте их монтажную глубину.
- При выборе нестандартного расположения динамиков, при котором необходимо врезать их в панели автомобиля, используйте шаблон (не входит в комплект поставки). Для достижения идеального расположения акустической системы следите за геометрией шаблона, так как точность размеров влияет на качество установки акустической системы ( $A=B=115$  мм,  $\varnothing C=5$  мм).



- Если под декоративной панелью проходит металлический корпус автомобиля, тогда для установки акустической системы Вам необходимо действовать следующим образом: снимите декоративную панель; вырежьте посадочное место по шаблону; на металлическом корпусе сделайте разметку отверстий для установки крепежных винтов; просверлите отверстия под крепежные винты.
- После того, как отверстия вырезаны, проверьте место установки на наличие неровных поверхностей и краев. Отшлифуйте поверхности, которые могут помешать установке акустической системы.
- Удалите металлическую стружку с места установки динамиков и проверьте его на наличие пустот, куда может попасть вода.

## Фиксация акустической системы

- Установите акустическую систему в подготовленные места и еще раз убедитесь, что ее расположение выбрано правильно.
- В комплект динамиков входят хомуты, которые должны располагаться на металлической поверхности корпуса автомобиля и совпадать с просверленными до этого отверстиями. Закрепите хомуты с помощью винтов и убедитесь, что при этом каркас динамика не деформировался.



- Включите автомагнитолу на минимальном уровне громкости и проверьте, что динамики работают. После этого Вы можете установить необходимый уровень громкости.

## Причины неисправности акустической системы

---

- Если Ваша акустическая система по каким-либо причинам не работает, то прежде чем обращаться в сервисный центр, внимательно прочитайте данную инструкцию. В таблице приведены часто встречающиеся причины, из-за которых прибор не функционирует.

ПРИЗНАК	ВОЗМОЖНАЯ ПРИЧИНА	УСТРАНЕНИЕ
Нет звука	Регулятор громкости установлен в минимальное положение	Установите оптимальный уровень громкости
	Поврежден провод подключения динамика или сам динамик	Проверьте провод или динамик
	Автомагнитола не исправна	Обратитесь в сервисный центр
Неестественный звук	Кабели акустической системы подключены без соблюдения полярности (+ и -)	Правильно подключите провод в соответствии с примером подключения
	Динамик или проводка неисправны	Замените динамик или проводку
	Автомагнитола не исправна	Обратитесь в сервисный центр

**ВНИМАНИЕ:** Правильное заземление является гарантом хорошего звучания Вашей акустической системы. Тщательно очистите поверхность, предназначенную для подключения заземляющего провода, от краски, ржавчины и других загрязнений.

## Технические характеристики

---

Диффузор	НЧ: диффузор из полипропилена ВЧ: 120 мм пьезо твитер
Магнит	5,3 унций (150 г)
Максимальная выходная мощность	120 Ватт
Номинальная мощность	60 Ватт
Сопротивление	4 Ом
Чувствительность	90 дБ
Диапазон воспроизводимых частот	80 – 20000 Гц
Размеры	138,5 x 49 мм
Вес нетто / брутто	0,38 кг/0,8 кг
Размеры коробки (Д x Ш)	275 мм x 135 мм