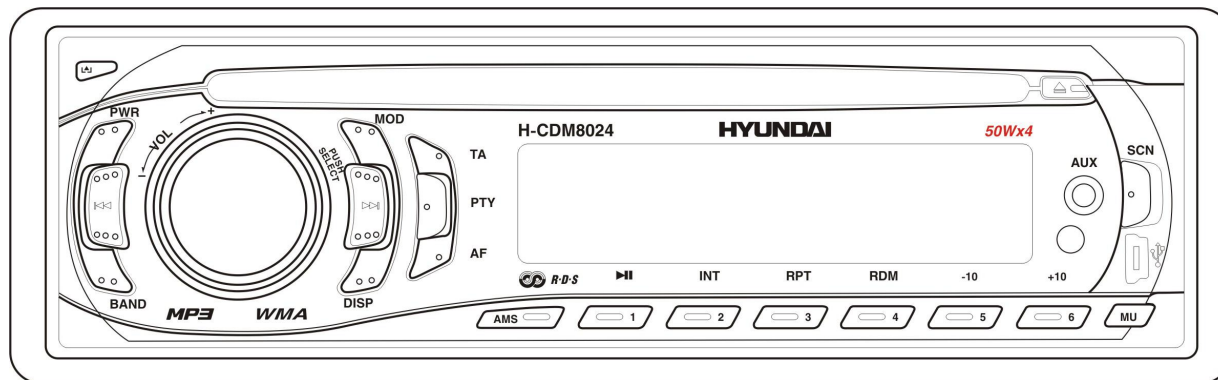


HYUNDAI

H- CDM8024



CD/MP3/USB RECEIVER

Instruction manual

CD/MP3/USB-РЕСИВЕР

Руководство по эксплуатации

Dear customer!

Thank you for purchasing our product. For safety, it is strongly recommended to read this manual carefully before connecting, operating and/or adjusting the product and keep the manual for reference in the future.

Table of contents

Table of contents	2
Important safeguards.....	3
Accessories.....	4
Installation/connection.....	5
Panel controls	8
General operations.....	10
Digital tuner operations.....	14
CD/SD/MMC/USB operations.....	16
MP3/WMA overview.....	20
Anti-theft system	22
Handling discs	22
Cleaning	23
Troubleshooting guide	24
Specification.....	25

Important safeguards

- Read carefully through this manual to familiarize yourself with this high-quality sound system.
- Disconnect the vehicle's negative battery terminal while mounting and connecting the unit.
- When replacing the fuse, be sure to use one with an identical amperage rating. Using a fuse with a higher amperage rating may cause serious damage to the unit.
- Do not attempt to disassemble the unit. Laser beams from the optical pickup are dangerous to the eyes.
- Make sure that pins or other foreign objects do not get inside the unit; they may cause malfunctions, or create safety hazards such as electrical shock or laser beam exposure.
- If you have parked the car for a long time in hot or cold weather, wait until the temperature in the car becomes normal before operating the unit.
- Do not open covers and do not repair yourself. Consult the dealer or an experienced technician for help.
- Make sure you disconnect the power supply and aerial if you will not be using the system for a long period or during a thunderstorm.
- Make sure you disconnect the power supply if the system appears to be working incorrectly, is making an unusual sound, has a strange smell, has smoke emitting from it or liquids have got inside it. Have a qualified technician check the system.
- The unit is designed for negative terminal of the battery, which is connected to the vehicle metal. Please confirm it before installation.
- Do not allow the speaker wires to be shorted together when the unit is switched on. Otherwise it may overload or burn out the power amplifier.
- Do not install the detachable panel before connecting the wire.
- Do not use the unit in places where it can be exposed to water, moisture and dust.

Accessories

Mounting parts

Receiver 1 pc

Front panel 1 pc

Front panel case 1 pc

Customer information 1 pc

Warranty card 1 pc

Instruction manual 1 pc

USB adapter cable 1 pc

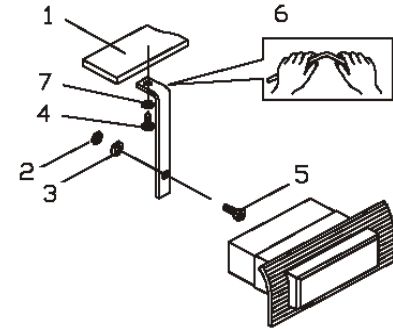
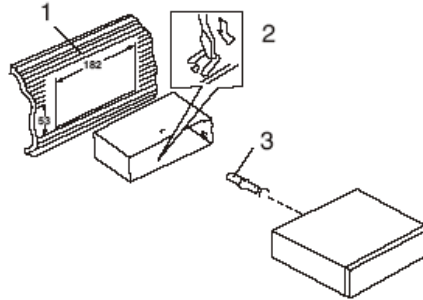
Installation/connection

Attention: Remove the transport CD stopper (2 screws) before use.

Din front-mount (method 1)

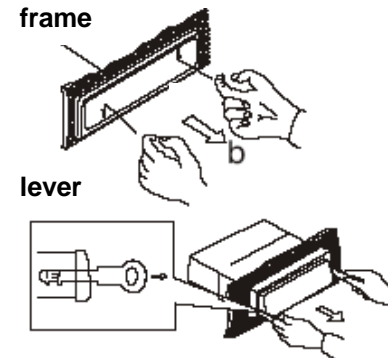
After inserting the holder into the dashboard, select the appropriate tab and bend them inwards to secure the holder in place.

1. Dashboard
2. Nut (5mm)
3. Spring washer
4. Screw (5 x 25mm)
5. Screw
6. Strap
7. Plain washer



Removing the unit

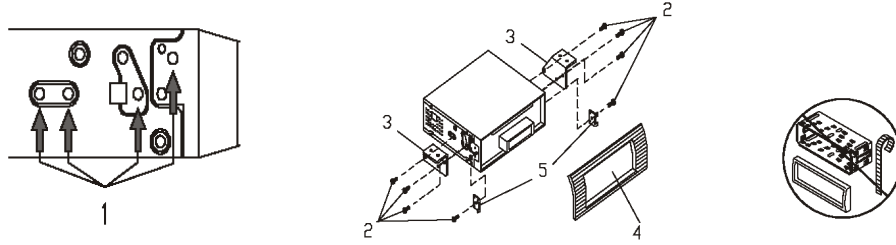
- Insert fingers into the groove in the front of frame and pull out to remove the frame. (When reattaching the frame, point the side with a groove down wards and attach it.)
- Insert the levers supplied with the unit into the grooves at both sides of the unit as shown in figure until they click. Pulling the levers makes it possible to remove the unit from the dashboard.



Din rear-mount (method 2)

Installation using the screw holes at both sides of the unit.

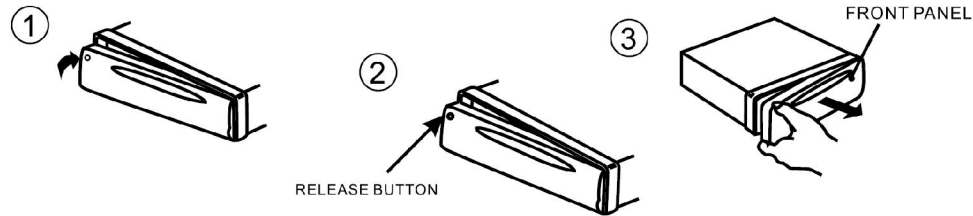
1. Select a position where the screw holes of the main unit are fitted for aligned, and tighten the screws at 2 positions at each sides. Use either truss screws (5 x 8mm) or flush surface screws (4 x 8mm), depending on the shape of the screw holes in the bracket.
2. Screw.
3. Factory radio mounting bracket.
4. Dashboard or Console.
5. Hook (Remove this parts).



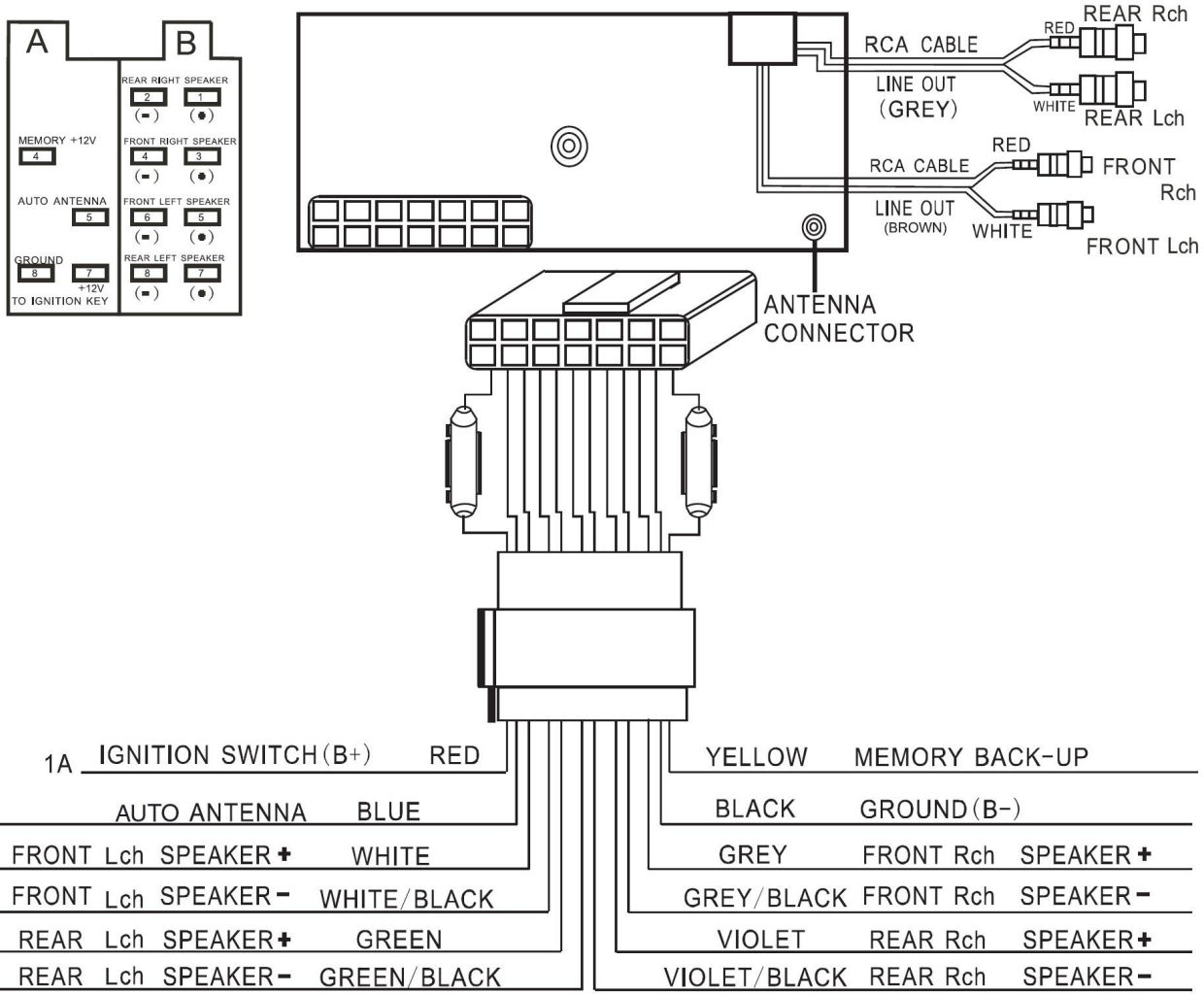
Note: The mounting box, outer trim ring, and the half-sleeve are not used for this method of installation.

Installing the front panel

To install the front panel, insert the panel into the housing and make sure the panel is properly installed, otherwise, abnormalities may occur on the display or some buttons will not function properly.



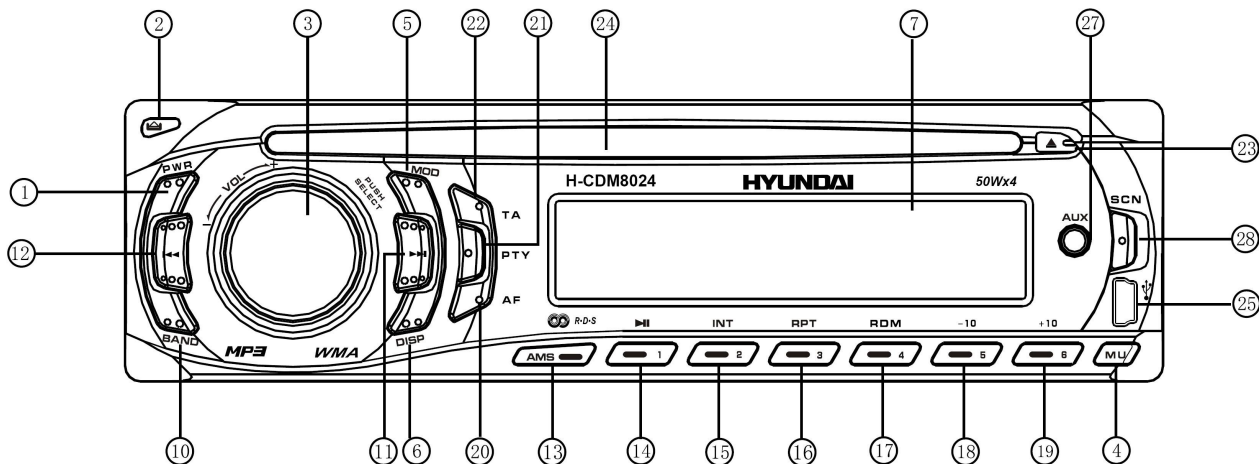
Electrical connections



Panel controls

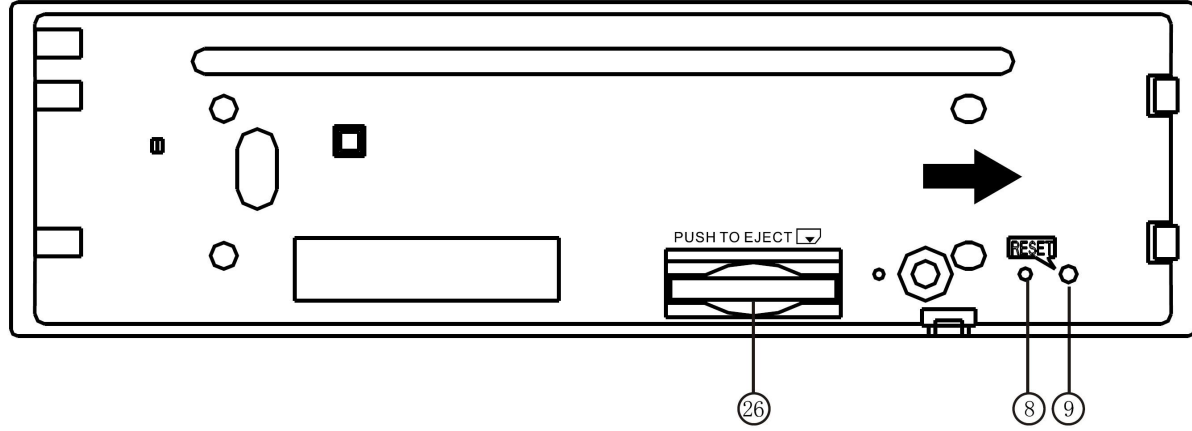
Front panel

1. POWER button
2. OPEN button
3. VOL/SEL button
4. MUTE button
5. MODE button
6. DISPLAY button
7. LCD Display
8. Flashing LED
9. RESET button
10. BAND button
11. NEXT button
12. PREVIOUS button
13. AMS button
14. PLAY/PAUSE/ Preset button 1
15. INTRO/Preset button 2
16. REPEAT/Preset button 3
17. RANDOM/Preset button 4
18. -10/preset button 5
19. +10/preset button 6
20. AF button
21. PTY button
22. TA button
23. EJECT button



- 24. CD slot
- 25. Mini USB jack
- 26. SD/MMC Slot
- 27. AUX IN jack
- 28. SCN button

Inner panel



General operations

Reset the unit

Operating the unit for the first time or after replacing the car battery, you must reset the unit.

Press OPEN button on the panel to open the panel and press the RESET button with thin hard object to restore the unit to the original factory settings.

Power ON/OFF

Press any button to turn the unit on. Press and hold POWER button to turn off the unit.

Note: After the unit is off, the volume level and radio current settings will be memorized, and when you turn the unit on it will resume the stored status, which you set.

Display (DISP)

Press DISP button to switch between display information such as radio frequencies, clock, track and other information depending on the playing MODE.

To adjust the time:

- Press DISP button until clock is showed, press the DISP button and hold for 2 seconds. Time will start blinking.
- Rotate the VOL knob clockwise to adjust minute.
- Rotate the VOL knob anticlockwise to adjust hour.
- Press DISP button again to save setting.

Mode

By pressing this button, user can select: AUX/TUNER/S-CDP(CD-MP3)/USB/MMC/SD mode.

Mute

Press this button to mute the sound at once. Press again to return to the previous volume level.

Volume control/select

Rotating this knob, you can adjust VOL/BASS/TREB/BAL/FAD. To select the functions, press the VOL knob shortly until the desired functions are shown on the display.

Increase or decrease the volume by turn the VOL knob right or left. These buttons can be used to adjust the BASS, TREBLE, BALANCE and FADER.

Other functions

To choose the corresponding mode, press VOL/SEL knob for 2 seconds, and then press it repeatedly until the display shows the mode. Rotate the knob to choose the needed value. After choosing, please leave the unit idle to activate.

TA SEEK/TA ALARM

In TA SEEK mode, the unit will seek for traffic announcement program when TA is pressed; in TA ALARM mode the alarm is set off.

MASK DPI/MASK ALL

During MASK DPI mode, the unit will mask only the AF which has different PI, this is the default mode; during MASK ALL mode, the unit will mask the AF which has different PI and no RDS signal with high field strength.

RETUNE S/L - SHORT/LONG

“RETUNE” refers to the time period the unit allows for radio scan when reception is interrupted. “S” represents a time period of 30 seconds and “L” represents a time period of 90 seconds.

AUDIO DSP CONTROLS

Choose equalizer mode: POP M => ROCK M => CLASS M=> FLAT M =>DSP OFF.

LOUDNESS CONTROLS

Select LOUD ON or OFF. In ON mode the bass and treble response will be boosted.

ESP (Electronic Shock Protection) MODE (Option)

Choose the value for CD disc.

BEEP MODE

BEEP ON: BEEP sound can be heard from speaker when the buttons are pressed.

SEEK MODE

SEEK 1: When SEEK 1 mode is activated, AUTO SEEK SCAN is stopped when station is detected even user still push SEEK button.

SEEK 2: Auto SEEK SCAN is not stopped even if station is detected if user pushes SEEK button. When releases SEEK button, then stop when station is detected.

STEREO/MONO

When FM stations are weak and are disturbed, listening can be improved by selecting MONO.

LOCAL/DX

“Local” position in areas with strong signals to let radio stop at only strong stations during manual tuning (LOC appears).

Select Distant position in areas with weak signals to listen to all stations.

VOL LAST/ADJUST

This function allows to set the volume level of the unit after it was turned off and then turned on again.

Choose VOL LAST if you want the volume level to be the same as it was before turning off.

VOL ADJUST allows to choose volume level.

Digital tuner operations

Note: RDS (Radio Data System) service availability varies with areas. Please understand if RDS service is not available in your area, the following service is not available, either.

MODE

Press MODE button to turn on tuner mode.

BAND

Press BAND button. Each band is toggled cyclically by pressing this key FM1--FM2--FM3 --MW1(AM1)--MW2(AM2).

AUTOMATIC OR MANUAL TUNING

(FREQ UP- NEXT button or FREQ DOWN - PREVIOUS button)

When pressed shortly, these buttons are operated as MANUAL tuning mode. When pressed longer than 1 sec., they are operated as SEEK tuning mode.

AUTO SEEK SEARCH TUNING (AMS)

By pressing shortly AMS button, the radio searches for each preset station. By pressing longer than 1 sec, and then 6 strongest stations are preset to the corresponding preset number. When AS operation is finished, the radio executes the preset scan.

SCAN AUTOMATIC TUNING CONTROL (SCN)

This button is operated as RADIO SCAN. The operation is similar as normal search but different thing is holding 5 seconds on every station detected in RADIO SCAN mode.

TA (TRAFFIC ALARM) FUNCTION

- Briefly press the TA button to turn on or turn off the TA function.
- When TA is enabled (on), the tuner starts searching the traffic announcement.

AF (ALTERNATIVE FREQUENCIES) FUNCTION

Briefly press the AF button to turn on or turn off the AF function.

The RDS program will be automatically searched and received. The unit will search another frequency with this RDS program.

PTY (PROGRAM TYPE) FUNCTION

When PTY is selected the radio starts to search corresponding PTY information and stops if the corresponding PTY information is detected. If corresponding PTY information is not found, normal radio reception is resumed.

When PTY mode is selected, the PTY switch is shared as follows: PTY music group — PTY speech group — OFF.

Press PTY button once to choose Music mode, then press number buttons to choose the needed program.

Press PTY button twice to choose Speech mode, then press number buttons to choose the needed program.

MUSIC

1. POPM, ROCK M
2. EASY M, LIGHT M
3. CLASSICS, OTHER M
4. JAZZ, COUNTRY
5. NATION M, OLDIES
6. FOLK M

SPEECH

- 1 NEWS, AFFAIRS, INFO
- 2 SPORT, EDUCATE, DRAMA
- 3 CULTURE, SCIENCE, VARIED
- 4 WEATHER, FINANCE, CHILDREN
- 5 SOCIAL, RELIGION, PHONE IN
- 6 TRAVEL, LEISURE, DOCUMENT

Note: When pressed shortly, number buttons select a preset station directly. When pressed longer than 1 sec., current station is stored in preset memory bank.

CD/SD/MMC/USB operations

Discs for playback

This unit can play disc types: CD/CD-R/-RW.

Compatible with formats: CDDA/MP3/WMA.

Loading and ejecting a disc

1. Turn the power on.
2. Insert the disc with the printed side facing upward into the slot.
3. Press EJECT button to eject the disc.

Multi-media card MMC/SD card slot

Support MP3/WMA ID3 format music only. Detach the front panel. Carefully insert the SD/MMC card into the card slot on the inner panel. Attach the panel. Unit starts playback automatically.

USB jack

Carefully connect the USB driver to the USB adapter cable and then insert it into the USB jack on the front panel. Unit starts playback automatically.

USB/SD/MMC notes:

USB functions (flash memory type) MP3 music play.

1. SD/ MMC card support.
2. FAT 12/ FAT 16/ FAT 32 is possible
 - FAT 12/16 (dir: 200 support, file:500 support),
 - FAT 32 (dir: 200 support, file:500 support).
3. Filename: 32 byte/ Dir name: 32byte.

4. Tag (id3tag ver2.0)
 - Title/ Artist/ Album: 32 byte support.
5. Multi card reader not support.
6. USB 2.0 support.

Note:

USB format supports 2.0.

Capacity: up to 4 GB.

SD cards brands: Cannon, Fuji film, Palm, Motorola, Microsoft, IBM, HP, Compaq, Sharp, Samsung, etc.

Capacity: up to 4 GB.

MMC cards brands: Ericsson, Nokia, Motorola, HP, Palm, Sanyo, Microsystems, etc.

Capacity: up to 4 GB.

Note: Because of the great variety of products with SD and MMC card slots and their sometimes quite manufacturer-specific functions the producer can neither guarantee that all devices will be recognized nor that all operating options that are possible in theory will actually work.

ID3 Tag information

This unit supports ID3 tag ver2.0. If an MP3/WMA file has ID3 Tag information, it will be displayed on the LCD. If there is no ID3 Tag information, nothing will be shown on LCD. The ID3 Tag information may include File, Folder, Music, Album or Artist data.

NEXT/PREVIOUS

Press NEXT/PREVIOUS buttons to choose next or previous track. Press longer than 1 sec., to choose forward playback or backward playback.

PLAY/PAUSE

Press PAUSE button to pause the playback, press one more time to resume the normal playback.

INTRO (Preview all Tracks)

When this button is pressed, “INT ON” indication is displayed and the first several seconds of each track of the disc is played. Press again to stop intro and listen to track.

REPEAT

When RPT button is pressed, “RPT ON” indication is displayed and playback of the selected track will be continually repeated until the track repeat mode is cancelled by pressing RPT button again.

RANDOM

When RDM button is pressed, “RDM ON” indication is displayed and each track of the disc is played in random instead of normal order. To cancel RANDOM mode, press RDM button again.

TRACK DOWN/UP SELECT (In case of MP3/WMA files)

-10/5 button: 10 Track down

+10/6 button: 10 Track up

Selection of MP3/WMA files

1. Searching Track:

- Press AMS, then searching track is activated.
- Press VOL knob, then the first digit is blinking.
- Turn VOL knob to right or left, select first digit you want.
- Press VOL knob, then the first digit is fixed and second digit is blinking.
- Turn VOL knob to right or left, select 2’nd 3’rd respectively.
- Then automatically the song you selected will start.

2. Searching File Name:

- Press AMS twice, then file search is activated.
- Press VOL knob, then the first directory is displayed.
- Turn VOL knob to right or left, you can select the directory you want.
- Press VOL knob again, then the directory is fixed and the first file name is displayed.
- Turn VOL knob to right or left, you can select the file you want.
- Press VOL knob, then the song you selected will start.

3. Searching Character:

- Press AMS 3 times, then character search mode is activated.
- Press VOL knob, then “A” character is displayed.
- Turn VOL knob to right or left, you can select the letter you want.
- Press VOL knob longer than 2 sec.
- The song which has same character you selected is displayed.
- Turn VOL knob to right or left, you can select the song you want.
- Press VOL knob, then the song you selected will start.

MP3/WMA overview

- MP3 is short for MPEG Audio Layer 3 and refers to an audio compression technology standard.
- This product allows playback of MP3 files on CD-ROM, CD-R or CD-RW discs.
- The unit can read MP3 files written in the format compliant with ISO 9660. However it does not support the MP3 data written by the method of packet write.
- The unit can not read an MP3 file that has a file extension other than “.mp3”.
- If you play a non- MP3 file that has the “.mp3” extension, you may hear some noise.
- In this manual, we refer to what are called “MP3 file” and “folder” in PC terminology as “track” and “album”, respectively.
- Maximum number of directory level is 8, including the root directory. Maximum number of files and folders per disc is 256.
- The unit may not play tracks in the order of Track numbers.
- The unit plays only the audio tracks if a disc contains both audio tracks and MP3 files.
- When playing a disc of 8 kbps or “VBR”, the elapsed playing time in the display window will not be correct and also the intro play may not function properly. “VBR”: Variable Bit Rate.
- The unit supports the playback of WMA files. The playback of ID3 tags for WMA format is not guaranteed, it depends on versions and availability of Cyrillic alphabet.
- WMA (Windows Media Audio) – music data compression format, created by Microsoft Corporation. This format uses coding algorithm for compression of initial audio-record, greatly decreasing the file size, but, saving the good sound quality even when the bit rate is low (for example, 64 Kbit/s).
- Remember that the unit may not play the tracks in order they are written on disc.

Notes on creating your own CD-R or CD-RW containing MP3 files:

- To enjoy high quality sound, we recommend converting to MP3 files with a sampling frequency of 44.1 kHz and a fixed bit rate of 128 kbps.
- DO NOT store more than 256 MP3 files per disc.
- For ISO 9660 - compliant format, the maximum allowable depth of nested folders is 8, including the root directory (folder).
- When CD-R disc is used, playback is possible only for discs, which have been finalized.
- Make sure that when MP3 CD-R or CD-RW is burned that it is formatted as a data disc and NOT as an audio disc.
- You should not write non-MP3 files or unneeded folders along with MP3 files on the disc otherwise it takes a long time until the unit starts to play MP3 files.
- With some CD-R or CD-RW media, data may not be properly written depending on its manufacturing quality. In this case, data may not be reproduced correctly. High quality CD-R or CD-RW disc is recommended.
- Up to 16 characters are displayed for the name of an Album or a Track. ID3TAG version 1.x is required.
- Note that the unit may not play Tracks in the order that you wrote them to the disc.

Anti-theft system

Remove the panel

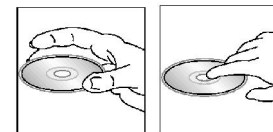
1. Press POWER button to switch off the power of the unit.
2. Press OPEN button to detach the panel.
3. Put it to the special box and take it with you.

Remove the unit

1. Remove the panel and the trim plate.
2. Insert both T-Keys into hole on the front of the set until they lock.
3. Pull out the unit.

Handling discs

- Dirty, scratched or warped discs may cause skip ping or noise.
- Handle the disc only by the edges. To keep clean do not touch its surface.
- Discs should be stored in their cases after use to avoid scratches.
- Do not expose discs to direct sunlight, high humidity, high temperature or dust.
- Prolonged exposure to extreme temperature can warp the disc (such as leaving the discs in your car during summertime).
- Do not stick or write anything on either side of disc. Sharp writing instruments, or the inks used in some felt-tip pens, may damage its surface.
- DO NOT touch the unlabeled side. DO NOT attach any seal, label or data protection sheet to either side of a disc.



Cleaning

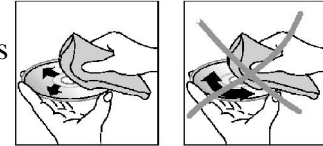
Cleaning the cabinet

Wipe with a soft cloth. If the cabinet is very dampen (not dropping wet) the cloth with a weak solution of soapy water, and then wipe clean.

Cleaning discs

Fingerprints should be carefully wiped from the surface of disc with a soft cloth. Unlike conventional records, compact discs have no grooves to collect dust and macroscopic dirt, so gently wiping them with a soft cloth should remove most panicles. Wipe in a straight motion from the center to the edge.

Never use thinner benzine, record cleaner or anti static spray on a compact disc. Such chemicals can damage its plastic surface.



Troubleshooting guide

Symptom	Cause	Solution
No power	The car ignition is not on. The fuse is blown.	If the power supply is properly connected to the car accessory switch the ignition key to "ACC". Replace the fuse.
Disc cannot be loaded.	Presence of disc inside the player.	Remove the disc in the player then put a new upward.
Disc cannot be read.	Inserting the disc in upside down. Compact disc is extremely dirty or defective. Temperature inside the car is too high.	Insert the compact disc with the label facing upward. Clean the disc or try to play a new one. Cool off until the ambient temperature returns to normal.
No sound	Volume is in minimum. Wiring is not properly connected.	Adjust volume to a desired level. Check wiring connection.
The buttons do not work.	The built-in microcomputer is not operating properly due to noise. Front panel is not properly fix into its place.	Press the RESET button. Reinstall the front panel.
Sound skips.	The installation angle is more than 30 degrees. The disc is extremely dirty or defective.	Adjust the installation angle to less than 30 degrees. Clean the compact disc/try to play a new one.
The radio does not work, the radio station automatic selection does not work.	The antenna cable is not connected the signals are too weak.	Insert the antenna cable firmly select a station manually.

Specification

General	
Disc/Flash	CD/CD-R/CD-RW/USB/SD/MMC
Compatible with	CDDA/MP3/WMA
Power supply	12 V DC
Current consumption	max. 10A
Maximum power output	50 W x 4 channels
Dimensions (L x W x H)	178 x 163x 50 mm
Working temperature range	-10°C - +60°C
ESP	40 sec. ESP for Audio-CD, 120 sec ESP for MP3, 300 sec ESP for WMA
FM Stereo Radio	
Frequency range	87.5 - 108.0 MHz
Preset memory stations	18
MW and LW section	
Frequency range	522 kHz - 1620 kHz
Preset memory stations	12
Audio specification	
Maximum output	2 Vrms (+/- 3 dB)
Frequency response	20 Hz - 20 KHz
S/N ratio (A-vtd)	60 dB
DSP sound effect	Classic, Rock, Pop, Flat
Line out	
Output	4 channel RCA line-out (2V)

Specifications are subject to change without notice. Mass and dimension are approximate.

Уважаемый покупатель!

Благодарим Вас за покупку нашего изделия. Для обеспечения безопасности рекомендуется тщательно изучить настоящее руководство перед подключением, эксплуатацией и/или регулировкой изделия, и сохраняйте руководство для использования в будущем.

Содержание

Содержание.....	26
Меры предосторожности.....	27
Комплект поставки.....	28
Установка/подключение.....	29
Органы управления.....	32
Основные операции.....	34
Цифровой тюнер.....	38
Воспроизведение файлов с CD/SD/MMC/USB.....	41
Обзор MP3 и WMA.....	45
Система против кражи.....	47
Обращение с дисками.....	47
Чистка и уход.....	48
Руководство по устранению неисправностей.....	49
Технические характеристики.....	50

Меры предосторожности

- Тщательно изучите настоящую инструкцию, чтобы ознакомиться с высококачественной аудиосистемой.
- При установке и подключении изделия отключите отрицательную клемму аккумулятора автомобиля.
- При замене предохранителя, убедитесь, что вы устанавливаете предохранитель с тем же номиналом. Используя предохранитель с повышенным значением тока, можно причинить значительные повреждения изделию.
- Не пытайтесь разбирать изделие. Лазерные лучи, исходящие из блока оптической головки считывания информации с компакт-диска, опасны для глаз.
- Убедитесь, что шпильки или другие посторонние предметы не попали внутрь изделия. Они могут вызвать сбой в работе или стать причиной опасности, такой как поражение электрическим током или лазерным лучом.
- Если вы ставите автомобиль на стоянку на длительное время в жаркое или холодное время года, подождите пока температура в автомобиле не станет нормальной, перед тем как включать изделие.
- Не открывайте крышки и не проводите ремонт самостоятельно. Обратитесь к дилеру или квалифицированному персоналу
- Убедитесь, вы отключаете источник питания и антенну, если вы не будете пользоваться системой в течение длительного времени или во время грозы.
- Убедитесь, что вы отключаете источник питания, если обнаружена неправильная работа системы, система издает необычные звуки, запах, выделяет дым или внутрь ее попала жидкость. Проведите квалифицированный технический осмотр системы.
- Прибор разработан так, чтобы отрицательный вывод аккумулятора был подключен к корпусу транспортного средства. Пожалуйста, убедитесь в этом перед установкой.
- Не позволяйте проводам динамиков касаться друг друга при включении прибора. В противном случае, может быть перегружен или выйти из строя усилитель питания.
- Не устанавливайте съемную панель перед подключением кабеля.
- Не используйте устройство в местах, где оно может подвергнуться воздействию воды, влаги и пыли.

Комплект поставки

Детали для установки	набор
Ресивер	1 шт
Передняя панель	1 шт
Футляр для передней панели	1 шт
Информация для потребителя	1 шт
Гарантийный талон	1 шт
Инструкция по эксплуатации	1 шт
Mini USB - USB переходник	1 шт

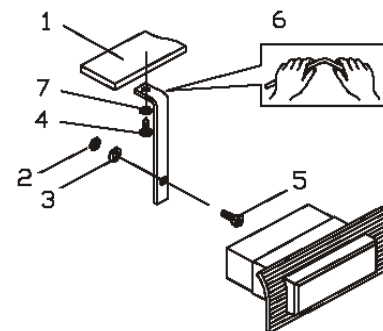
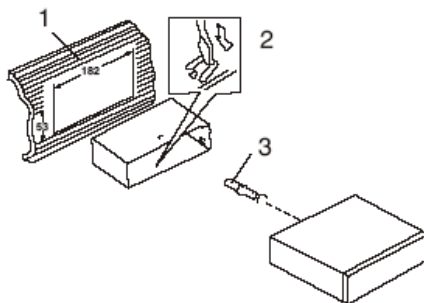
Установка/подключение

Внимание: Перед подключением необходимо удалить два CD держателя из верхней части устройства.

Первый вариант установки

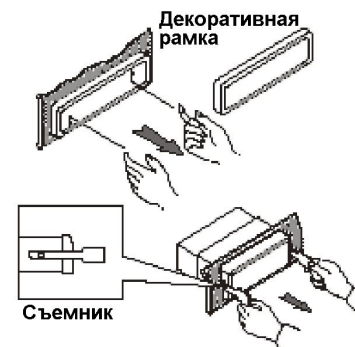
После установки кожуха авто магнитолы в приборную панель автомобиля выберите на кожухе те металлические язычки, которые соответствуют толщине приборной панели, и отогните их, чтобы зафиксировать кожух на месте.

1. Приборная панель автомобиля
2. Гайка (5 мм)
3. Пружинная шайба
4. Винт (5 x 25 мм)
5. Винт
6. Металлическая планка
7. Плоская шайба



Снятие магнитолы

- Вставьте пальцы в выемки на передней стороне рамки и вытяните рамку на себя. (При установке декоративной рамки на место направьте сторону с выемками вниз и установите рамку.)
- Вставьте съемники, входящие в комплект магнитолы, в пазы на обеих сторонах устройства, как показано на рисунке, чтобы они зафиксировались со щелчком. Для того чтобы вынуть магнитолу из приборной панели автомобиля, потяните за съемники на себя.

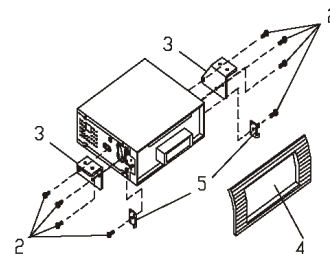
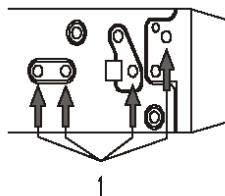
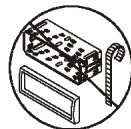


Второй вариант установки

Данный вариант установки предусматривает использование резьбовых отверстий, которые находятся на боковых панелях магнитолы.

Закрепите магнитолу на крепежных кронштейнах штатного радиоприемника.

1. Выберите положение кронштейнов, при котором будут совмещены резьбовые отверстия на кронштейнах и резьбовые соединения на корпусе магнитолы. Закрепите кронштейны с обеих сторон магнитолы не менее чем в двух местах. Для этого используйте либо крепежные винты (5 x 8 мм), либо винты с потайной головкой (4 x 8 мм), в зависимости от типа резьбовых отверстий на кронштейне.
2. Винт.
3. Крепежные кронштейны штатного радиоприемника.
4. Приборная панель или консоль автомобиля.
5. Скоба (необходимо удалить).



Примечание:

При установке магнитолы по второму методу кожух, декоративная внешняя рамка и металлическая планка не используются.

Установка передней панели

Вставьте правую сторону панели в пазы ресивера, и нажимайте левую часть, пока не услышите щелчок. Убедитесь в том, что панель плотно закреплена в ресивере. Иначе на дисплее могут отобразиться символы ошибок или некоторые кнопки не будут функционировать.

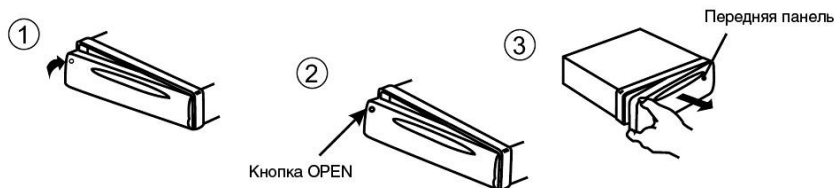
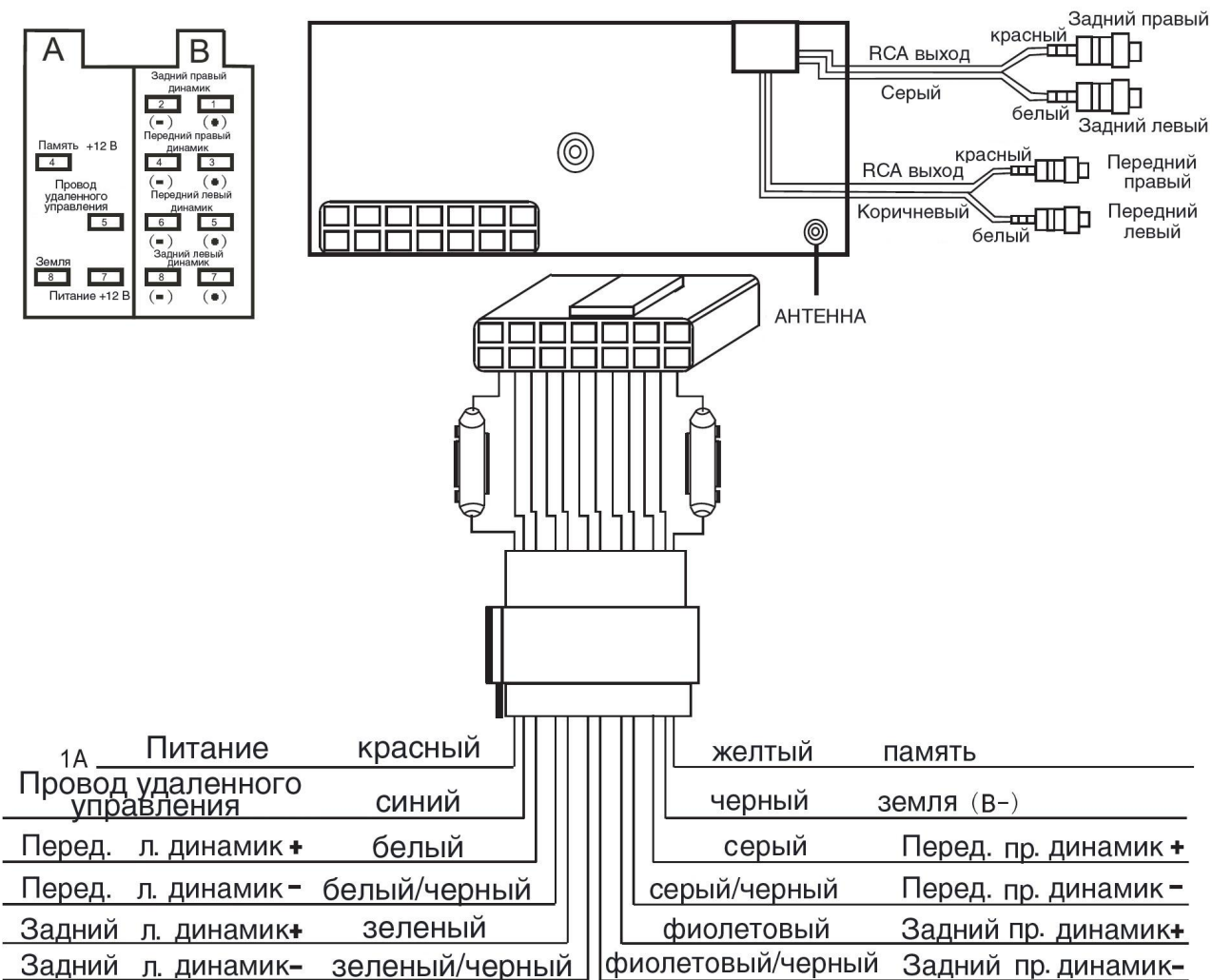


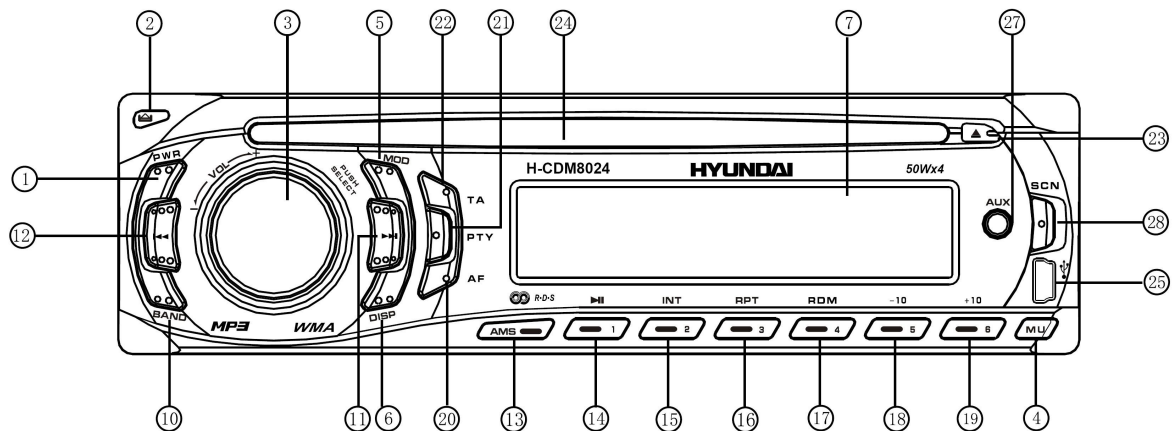
Схема электрических соединений



Органы управления

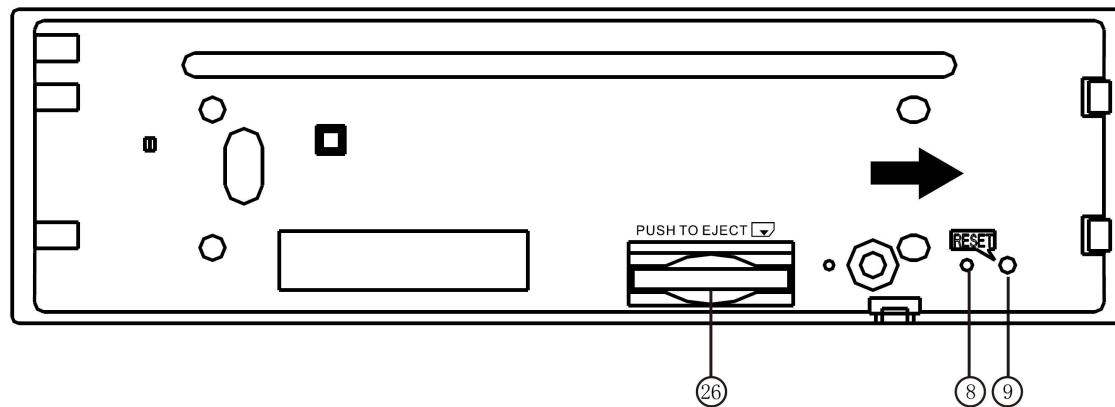
Передняя панель

1. Кнопка POWER
2. Кнопка OPEN
3. Регулятор-кнопка VOL/SEL
4. Кнопка MUTE
5. Кнопка MODE
6. Кнопка DISPLAY
7. LCD дисплей
8. Индикатор
9. Кнопка RESET
10. Кнопка BAND
11. Кнопка NEXT
12. Кнопка PREVIOUS
13. Кнопка AMS
14. Кнопка PLAY/PAUSE/ 1
15. Кнопка INTRO/ 2
16. Кнопка REPEAT/ 3
17. Кнопка RANDOM/ 4
18. Кнопка -10/5
19. Кнопка +10/6
20. Кнопка AF
21. КнопкаPTY
22. Кнопка TA
23. Кнопка EJECT



- 24. CD слот
- 25. Разъем для мини USB
- 26. Слот для карт SD/MMC
- 27. Разъем AUX
- 28. Кнопка SCN

Внутренняя панель



Основные операции

Кнопка RESET (сброс)

Нажмите на панели кнопку OPEN. Панель откроется. Нажмите острым предметом кнопку RESET. Эта мера необходима в следующих ситуациях: исходная установка устройства после подключения, никакие кнопки не действуют, символы ошибок появляются на дисплее.

Включение/выключение питания

Нажмите любую кнопку, чтобы включить устройство. Нажмите и удерживайте кнопку POWER, чтобы выключить питание.

Примечание: Когда Вы выключаете систему или зажигание автомобиля, громкость звука и радио настройки будут сохранены в памяти устройства, и при включении установки вернуться к сохраненным значениям.

Отображение информации на экране

Нажимайте кнопку DISP для последовательного отображения различной информации на дисплее, такой как радио частота, часы, текущий трек и пр. в зависимости от режима работы устройства.

Настройка времени

- Нажимайте кнопку DISP до отображения на дисплее часов, затем нажмите кнопку DISP и удерживайте 2 секунды. Часы начнут мигать.
- Вращайте регулятор VOL по часовой стрелке, чтобы установить минуты.
- Вращайте регулятор VOL против часовой стрелки, чтобы установить часы.
- Нажмите кнопку DISP для подтверждения настройки.

Выбор режима работы

Нажмите кнопку MODE для выбора режима работы устройства: AUX/TUNER/S-CDP(CD-MP3)/USB MMC/SD.

Включение/Выключение звука

Нажмите кнопку MUTE, чтобы выключить звук. Нажмите кнопку повторно, чтобы включить звук.

Регулировка громкости

Вращайте регулятор VOL, чтобы отрегулировать один из следующих параметров: VOL (громкость)/BASS (низкие частоты)/TREB (высокие частоты)/BAL (баланс между правым и левым каналами)/FAD (баланс между задним и передним каналами). Для выбора нужного параметра нажимайте кнопку SEL, название параметра будет отображаться на дисплее.

Вращайте регулятор влево или вправо, чтобы уменьшить или увеличить уровень громкости звука соответственно.

Другие функции

Для выбора нужной функции нажмите и удерживайте кнопку VOL/SEL 2 секунды, после чего нажимайте ее до отображения на дисплее нужной функции. Вращайте регулятор, чтобы выбрать нужную опцию. После осуществления выбора несколько секунд не нажимайте никаких кнопок, чтобы активировать изменения.

Функция TA SEEK/TA ALARM

В режиме TA SEEK устройство выполнит поиск программ о дорожном движении при нажатии кнопки TA; режим TA ALARM предназначен для передачи экстренных сообщений. При этом информация о дорожном движении будет игнорироваться.

Функция MASK DPI/MASK ALL

В режиме MASK DPI, устройство маскирует только альтернативные частоты с разными информационными программами. В режиме MASK ALL устройство маскирует и информационные программы, и станции, не поддерживающие RDS.

Функция RETUNE S/L - SHORT/LONG

«RETUNE» означает временной интервал прерывания радио сигнала для сканирования. «S» означает интервал в 30 секунд, «L» означает интервал в 90 секунд.

Функция AUDIO DSP (эквалайзер)

Выберите режим эквалайзера: POP M => ROCK M => CLASS M=> FLAT M =>DSP OFF.

Функция LOUDNESS (усиление низких частот)

Выберите режим LOUD ON (вкл) или OFF (выкл). При включенном режиме низкие частоты усиливаются.

Режим ESP (Electronic Shock Protection – Электронная система стабилизации) (Опция)

Выберите значение для CD диска.

Режим BEEP (звуковой сигнал)

BEEP ON (вкл): при каждом нажатии кнопок устройство будет подавать звуковой сигнал.

Режим SEEK (поиск)

SEEK 1: В данном режиме при обнаружении станции автопоиск будет остановлен даже в случае последующего нажатия кнопки SEEK.

SEEK 2: При нажатии и удерживании кнопки SEEK автопоиск будет продолжен даже при обнаружении станции. Если Вы отпустите кнопку SEEK, поиск будет остановлен после обнаружения станции.

STEREO/MONO (стерео/моно режим)

При плохом качестве приема FM сигнала выберите режим моно, это может повысить качество приема сигнала.

LOCAL/DX (прием местных/удаленных радиостанций)

Эта функция позволяет выбирать режимы LOCAL и DISTANT (DX) (режим приема местных или удаленных радиостанций; это влияет на чувствительность тюнера и на качество принимаемого радио сигнала).

VOL LAST/ADJUST (Уровень звука после включения)

С помощью этой функции можно выбрать уровень звука, который сохранится после включения ресивера.

Выберите VOL LAST, если вы хотите, чтобы уровень звука перед выключением сохранился.

VOL ADJUST: выберите необходимый уровень звука.

Например: выберите уровень звука 15. Выключите и включите ресивер, уровень звука 15 сохранится.

Цифровой тюнер

Внимание: Сервис RDS (Система радио данных) доступен не во всех регионах. Имейте ввиду, что если услуга RDS не доступна в Вашем регионе, то данная функция не будет работать.

Выбор режима радио

Нажмите на кнопку MODE, чтобы выбрать режим радио - TUNER.

Выбор диапазона

Нажимайте на кнопку BAND, чтобы выбрать диапазон: FM1--FM2--FM3--MW1(AM1)--MW2(AM2).

Автоматическая и ручная настройка

Нажмите кнопку NEXT, чтобы начать поиск вверх по диапазону или кнопку PREVIOUS, чтобы начать поиск вниз по диапазону.

Нажимайте эти кнопки, активировать ручной поиск. Нажмите и удерживайте в течение 1 секунды, активизируется автоматический поиск.

Примечание: Функция сканирование с остановкой на каждой станции в течение 5 секунд включается кнопкой SCN.

Автоматический поиск и сканирование (AMS)

Нажмите кнопку AMS, ресивер произведет поиск всех предустановленных станций. Нажмите и удерживайте эту кнопку в течение секунды, 6 станций с сильным сигналом сохранятся под соответствующими цифрами. После этого ресивер произведет сканирование сохраненных станций.

Функция ТА (программы о дорожном движении)

Нажмите кнопку ТА, чтобы включить/выключить режим ТА. Оповещения о ситуации на дороге прерывают воспроизведение диска и вещание радиостанций. Чтобы прервать эти оповещения нажмите кнопку ТА один раз, сразу восстановится режим воспроизведения, это не повлечет за собой отключения функции вообще.

Функция АF (альтернативные частоты)

При слабом сигнале функция Альтернативных частот позволяет приемнику настраиваться на другие станции с тем же идентификационным кодом, что и текущая станция, но с более сильным сигналом. При этом вместо частоты на дисплее появится название станции.

Нажмите кнопку АF, чтобы включить или выключить функцию АF. При включенном режиме АF радио постоянно проверяет силу сигнала альтернативных частот, на которых может транслироваться RDS программа. Если сигнал слабый или исчезает, тюнер будет автоматически искать другую частоту с этой программой.

Функция выбора передаваемого типа программы РТУ

При активации функции РТУ, ресивер начинает поиск станции с соответствующей направленностью. Если соответствующая станция не найдена, ресивер возвращается в режим нормального воспроизведения.

Доступны такие режимы: РТУ музыка — РТУ информация — Выкл.

Нажмите кнопку РТУ один раз, чтобы выбрать режим поиска музыкальных станций, затем нажимайте кнопки с цифрами, чтобы выбрать канал.

Нажмите кнопку РТУ два раза, чтобы выбрать режим поиска информационных станций, затем нажимайте кнопки с цифрами, чтобы выбрать канал.

Музыкальные каналы

1. POPM, ROCK M
2. EASY M, LIGHT M
3. CLASSICS, OTHER M
4. JAZZ, COUNTRY
5. NATION M, OLDIES
6. FOLK M

Информационные каналы

- 1 NEWS, AFFAIRS, INFO
- 2 SPORT, EDUCATE, DRAMA
- 3 CULTURE, SCIENCE, VARIED
- 4 WEATHER, FINANCE, CHILDREN
- 5 SOCIAL, RELIGION, PHONE IN
- 6 TRAVEL, LEISURE, DOCUMENT

Примечание: Цифровыми кнопками можно выбирать станции для прослушивания. Долгое нажатие одной из них сохраняет найденную станцию под этой цифрой.

Воспроизведение файлов с CD/SD/MMC/USB

Диски для воспроизведения

Это устройство может воспроизводить разновидности дисков: CD/CD-R/-RW.

Совместимо с форматами: CDDA/MP3/WMA.

Загрузка и извлечение диска

1. Включите питание устройства.
2. Установите диск в слот маркированной стороной вверх.
3. Нажмите кнопку EJECT, чтобы извлечь диск.

Загрузка SD/MMC

Отсоедините переднюю панель. Вставьте SD/MMC карту в соответствующий слот, расположенный на внутренней панели. Установите переднюю панель. Начнется воспроизведение первого трека.

USB порт

Вставьте USB носитель через Mini USB - USB переходник в USB порт, расположенный на передней панели за резиновым предохранителем. Автоматически начнется воспроизведение первого трека.

Примечания по USB/ SD/ MMC разъемам:

Воспроизведение MP3 файлов с USB карт (флэш-память).

1. Поддержка карт памяти SD/ MMC.
2. Поддержка FAT 12/ FAT 16/ FAT 32
 - FAT 12/ 16 (поддержка 200 папок, 500 файлов),
 - FAT 32 (поддержка 200 папок, 500 файлов).
3. Имя файла: 32 байта/ имя папки: 32 байта.

4. Тэг (id3tag ver 2.0)
 - Имя/ Исполнитель/ Альбом: поддержка 32 байтов.
5. Многофункциональный карт-ридер не поддерживается.
6. Поддержка формата USB 2.0.

Примечание:

USB: Поддержка формата USB 2.0.

Емкость: до 4 Гб.

SD: Поддержка брендов SD карт памяти: Cannon, Fuji film, Palm, Motorola, Microsoft, IBM, HP, Compaq, Sharp, Samsung, и т. д.

Емкость: до 4 Гб.

MMC: Поддержка брендов MMC карт памяти : Ericsson, Nokia, Motorola, HP, Palm, Sanyo, Microsystems, и т.д.

Емкость: до 4 Гб.

Информация об ID3 тэгах

Данное устройство поддерживает версии ID3 тэгов 2.0. Если MP3/WMA файл содержит информацию ID3, такая информация будет отображаться на дисплее при воспроизведении трека. При отсутствии ID3 информации на дисплее ничего отображаться не будет. ID3 информация может включать в себя данные о файле, папке, музыке, альбоме и исполнителе.

Выбор трека

Нажмите кнопку NEXT/PREVIOUS, чтобы выбрать следующий или предыдущий трек. Нажмите и удерживайте в течение одной секунды, чтобы начать ускоренное воспроизведение вперед или назад.

Примечание: во время воспроизведения MP3/WMA файлов нажимайте кнопки -10/5 или +10/6, чтобы перейти на 10 треков вниз или вверх.

Пауза

Нажмите кнопку PAUSE, чтобы поставить воспроизведение на паузу, нажмите ее еще раз, чтобы возобновить воспроизведение.

Предпрослушивание

Во время воспроизведения, нажмите кнопку INTRO, чтобы началось проигрывание первых 10 секунд каждого трека (на экране появится надпись “INT ON”). Нажмите эту кнопку еще раз, чтобы вернуться в нормальный режим воспроизведения.

Повтор

Нажмите кнопку RPT, на дисплее появится надпись “RPT ON” и активируется режим повтора воспроизведения текущего трека. Нажмите кнопку еще раз, чтобы вернуться в режим нормального воспроизведения.

Воспроизведение в произвольном порядке

Нажмите кнопку RDM, на дисплее появится надпись “RDM ON” и активируется режим воспроизведения в произвольном порядке. Нажмите кнопку еще раз, чтобы вернуться в режим нормального воспроизведения.

Поиск MP3/WMA файлов

1. Поиск трека:

- Нажмите кнопку AMS, активизируется режим поиска.
- Нажмите кнопку SEL, начнет мигать первая цифра.
- Вращайте регулятор VOL, чтобы выбрать нужную цифру.
- Нажмите кнопку SEL, начнет мигать вторая цифра.
- Вращайте регулятор VOL, чтобы выбрать нужную цифру, и т.д.
- Нажмите кнопку SEL, начнется воспроизведение выбранного трека.

2. Поиск по имени файла:

- Нажмите кнопку AMS дважды, активизируется режим поиска.
- Нажмите кнопку SEL, отобразится название первой папки.
- Вращайте регулятор VOL, чтобы выбрать нужную папку.
- Нажмите кнопку SEL еще раз, папка выбрана, отобразится название первой песни в папке.
- Вращайте регулятор VOL, чтобы выбрать нужный файл.
- Нажмите кнопку SEL, чтобы начать воспроизведение выбранного трека.

3. Поиск по буквам:

- Нажмите кнопку AMS 3 раза, активизируется режим поиска.
- Нажмите кнопку SEL, отобразится буква “А”.
- Вращайте регулятор VOL, чтобы выбрать нужную букву.
- Нажмите и удерживайте кнопку SEL в течение 2 секунд.
- Песня, название которой совпадает с критериями вашего поиска отобразится на дисплее.
- Вращайте регулятор VOL, чтобы выбрать нужную песню.
- Нажмите кнопку SEL, чтобы начать воспроизведение выбранной песни.

Обзор MP3 и WMA

- MP3 это краткое обозначение аудио слоя MPEG 3 и относится к стандарту технологии сжатия звука.
- Данное изделие позволяет воспроизводить файлы MP3 на дисках CD-ROM, CD-R или CD-RW.
- Изделие может считывать файлы MP3, записанные в формате, соответствующем ISO 9660. Однако оно не поддерживает данные MP3, записанные методом пакетной записи.
- Изделие не может считывать файлы MP3, которые имеют расширение файла, отличающееся от “.mp3”.
- Если вы воспроизводите не MP3 файл, который имеет расширение “.mp3”, вы можете слышать некоторые шумы.
- В данном руководстве мы рассматриваем файлы, называемые “файлами MP3” и “папкой”, а в технологии PC “дорожкой” и “альбомом” соответственно.
- Максимальное количество уровней директории равно 8, включая корневую директорию. Максимальное количество файлов и папок на диске 256.
- Изделие может не воспроизводить дорожки в последовательном порядке.
- Изделие воспроизводит только аудио треки, если диск содержит как аудио треки, так и файлы MP3.
- При воспроизведении диска 8 килобит или VBR, истекшее время воспроизведения в окне дисплея будет неправильным, а также ознакомительное воспроизведение может не действовать надлежащим образом. VBR: Переменная скорость передачи битов.
- Устройство поддерживает воспроизведение WMA файлов. Воспроизведение ID3 тегов для формата WMA не является гарантированным, так как это зависит от версий и наличия кириллицы.
- WMA (Windows Media Audio) – формат сжатия музыкальных данных, созданный Microsoft Corporation. Формат использует алгоритмы кодирования для сжатия исходной аудиозаписи, значительно уменьшая размеры файла, но, сохраняя хорошее качество звука даже при низких (например, 64 Кбит/сек) скоростях передачи данных (битрейтах).
- Помните, что изделие может не воспроизводить треки в том порядке, в котором они записаны на диске.

Примечание по созданию собственных CD-R или CD-RW дисков, содержащих файлы MP3:

- Для получения высокого качества звука мы рекомендуем преобразовывать файлы MP3 с эталонной частотой 44,1 кГц и фиксированным битрейтом 128 Кбит/сек.
- НЕ сохраняйте более 256 файлов MP3 на диске.
- Для формата, совместимого с ISO 9660, максимально допустимая глубина вложенных папок равняется 8, включая корневую директорию (папку).
- При использовании диска CD-R воспроизведение возможно только для дисков, которые были закончены.
- Убедитесь, что при записи MP3 CD-R или CD-RW были отформатированы как диски данных, а НЕ как аудио диски.
- Вы не должны записывать не-MP3 файлы или ненужные папки вместе с файлами MP3 на диск, в противном случае потребуется много времени, пока изделие начнет воспроизводить файлы MP3.
- На некоторых CD-R или CD-RW данные могут не быть записаны надлежащим образом в зависимости от качества их производства. В этом случае данные могут быть воспроизведены не надлежащим образом. Рекомендуются диски CD-R или CD-RW высокого качества.
- Имя альбома или композиции может содержать до 16 символов. Необходима версия 1.x ID3TAG.
- Помните, что изделие может не воспроизводить треки в том порядке, в котором они записаны на диске.

Система против кражи

Снятие панели

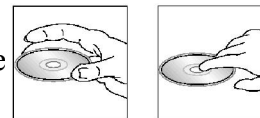
1. Нажмите кнопку POWER для отключения питания устройства.
2. Нажмите кнопку OPEN, чтобы отсоединить переднюю панель.
3. Поместите панель в предохранительный футляр, который Вы можете взять с собой, покидая автомобиль.

Снятие устройства

1. Снимите панель.
2. Вставьте два T-образных ключа в отверстие лицевой стороны, пока не услышите щелчок.
3. Выньте изделие.

Обращение с дисками

- Грязные, поцарапанные или погнутые диски могут вызвать искажение звука или шумы
- Держите диск только за края (как показано на рисунке). Чтобы обеспечить чистоту, не прикасайтесь к его поверхности.
- Диски должны храниться в их чехлах после использования, чтобы не поцарапать их поверхность.
- Не подвергайте диски действию прямого солнечного света, повышенной влажности, повышенным температурам или действию пыли.
- Продолжительное влияние предельных температур может изогнуть диск (например, пребывание дисков в автомобиле в летнее время).
- Не царапайте и не пишите что-либо на любой стороне диска. Острые пишущие инструменты или чернила, используемые в них, могут повредить поверхность диска.
- Не прикасайтесь к стороне, не имеющей маркировки.
- Не прикрепляйте какую-либо печать, этикетку или лист предохранения данных к любой стороне диска.



Чистка и уход

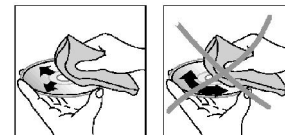
Чистка корпуса

Протирайте мягкой тканью. Если корпус очень загрязнен (не мочите его), используйте ткань, слегка смоченную мыльным раствором, и затем вытрите его сухой тканью.

Чистка дисков

Отпечатки пальцев должны быть тщательно стерты с поверхности диска мягкой тканью. В отличие от обычных пластинок, компакт-диски не имеют канавок для сбора пыли и микроскопических частиц грязи, поэтому осторожно вытирайте их мягкой тканью, чтобы убрать частицы грязи. Вытирайте прямолинейным движением от центра к краю.

Никогда не используйте растворитель, бензин, очиститель пластинок или антистатический аэрозоль для чистки дисков. Такие химические вещества могут повредить его пластиковые поверхности.



Руководство по устранению неисправностей

Неисправность	Причина	Решение
Нет питания	Зажигание машины не включено. Сгорел предохранитель.	Если источник питания подключен надлежащим образом к выключателю машины, установите ключ зажигания в положение “АСС”. Замените предохранитель.
Невозможно загрузить диск	В плеер установлен диск.	Удалите диск из плеера, затем установите новый.
Невозможно считать диск	Диск установлен верхней стороной вниз. Диск загрязнен или имеет дефект. Температура внутри машины очень высокая.	Установите компакт диск стороной с этикеткой вверх. Очистите диск или установите новый. Подождите, пока температура не станет нормальной.
Нет звука	Звук установлен на минимум. Кабель не подключен надлежащим образом.	Отрегулируйте звук до необходимого уровня. Проверьте подключение кабеля.
Кнопки не работают	Встроенный микрокомпьютер не работает надлежащим образом из-за шумов. Передняя панель не установлена на свое место.	Нажмите кнопку RESET. Повторно установите переднюю панель.
Звук пропадает	Угол установки более 30 градусов. Диск загрязнен или имеет дефект.	Отрегулируйте угол установки, установив его менее 30 градусов. Очистите диск или установите новый.
Радио не работает. Не работает автоматический выбор радиостанции	Антенный кабель не подключен. Сигналы слишком слабы.	Вставьте антенный кабель надежно. Выберите станцию вручную.

Технические характеристики

Общие	
Поддержка носителей	CD/CD-R/CD-RW/USB/SD/MMC
Воспроизведение форматов	CDDA/MP3/WMA
Источник питания	12 В постоянного тока
Потребляемый ток/Предохранитель	Максимум 10 А
Максимальная выходная мощность	50 Вт x 4 канала
Размеры (Д x Ш x В)	178 x 163x 50 мм
Рабочий диапазон температур	-10°C - +60°C
Электронная система стабилизации	40 с CD, 120 с MP3, 300 с WMA
Сtereo FM радио	
Частотный диапазон	87.5 - 108.0 МГц
Память цифрового тюнера	18 станций
MW и LW радио	
Частотный диапазон	522 кГц - 1620 кГц
Память цифрового тюнера	12 станций
Аудио	
Максимальный уровень сигнала на выходе	2 В RMS (+/-3 дБ)
Частотный диапазон	20 Гц – 20 КГц
Уровень сигнал-шум (A-vtd)	60 дБ
DSP процессор	Classic, Rock, Pop, Flat
Линейный выход	Два линейных RCA-выхода (2В)

Технические характеристики могут быть изменены заводом-изготовителем без предварительного уведомления. Указанные геометрические размеры имеют приблизительные значения.