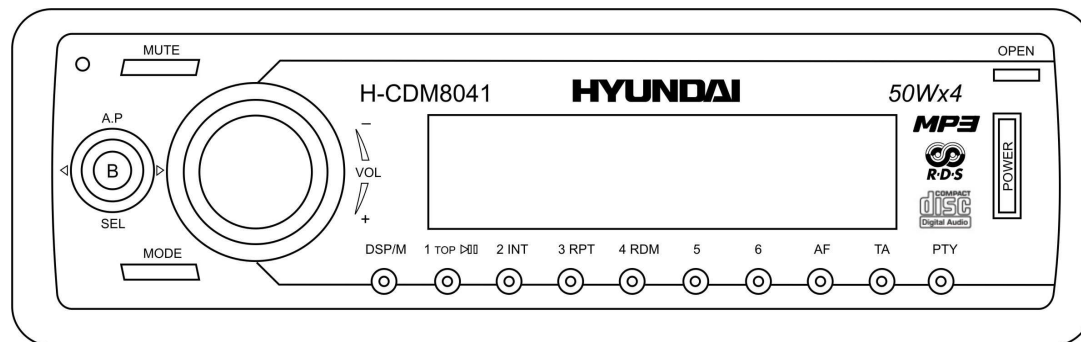


HYUNDAI

H-CDM8041



CD/MP3/WMA RECEIVER
Instruction manual

CD/MP3/WMA РЕСИВЕР
Руководство по эксплуатации

Dear customer!

Thank you for purchasing our product. For safety, it is strongly recommended to read this manual carefully before connecting, operating and/or adjusting the product and keep the manual for reference in the future.

Table of contents

Table of contents	2
Important safeguards	3
Installation/ connection.....	4
Panel controls	8
General operations.....	12
Digital tuner operations	15
CD operations.....	18
MP3 overview	21
Anti-theft system.....	22
Handling discs	23
Cleaning	23
Troubleshooting guide	24
Specification.....	25

Important safeguards

Using the device at temperature below -10°C may cause the breakage of the device. BEFORE USING PLEASE HEAT UP THE PASSENGER COMPARTMENT TO THE RECOMMENDED TEMPERATURE!

Read carefully through this manual to familiarize yourself with this high-quality sound system.

Disconnect the vehicle's negative battery terminal while mounting and connecting the unit.

When replacing the fuse, be sure to use one with an identical amperage rating. Using a fuse with a higher amperage rating may cause serious damage to the unit.

DO NOT attempt to disassemble the unit. Laser beams from the optical pickup are dangerous to the eyes.

Make sure that pins or other foreign objects do not get inside the unit; they may cause malfunctions, or create safety hazards such as electrical shock or laser beam exposure.

If you have parked the car for a long time in hot or cold weather, wait until the temperature in the car becomes normal before operating the unit.

DO NOT open covers and do not repair yourself. Consult the dealer or an experienced technician for help.

Make sure you disconnect the power supply and aerial if you will not be using the system for a long period or during a thunderstorm.

Make sure you disconnect the power supply if the system appears to be working incorrectly, is making an unusual sound, has a strange smell, has smoke emitting from it or liquids have got inside it. Have a qualified technician check the system.

The unit is designed for negative terminal of the battery, which is connected to the vehicle metal. Please confirm it before installation.

Do not allow the speaker wires to be shorted together when the unit is switched on. Otherwise it may overload or burn out the power amplifier.

Do not install the detachable panel before connecting the wire.

Don't remove the detachable panel when encoding.

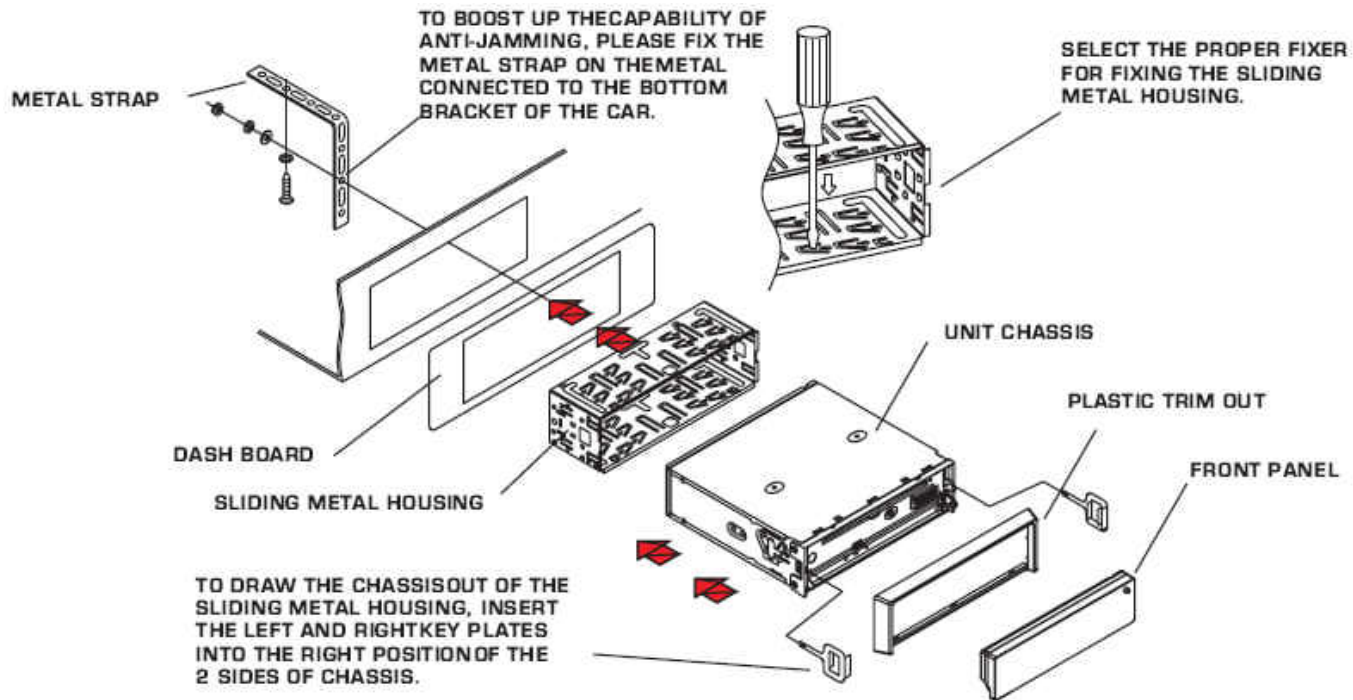
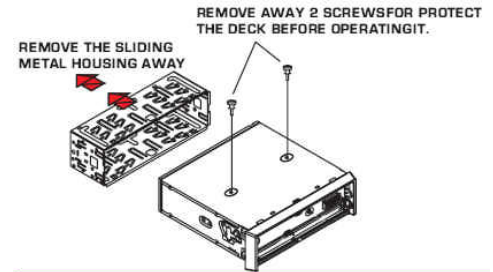
Installation/ connection

First complete the electrical connections, and then check them for correctness.

Installation way

It is an anti-theft installation way. The chassis wear a metal sliding housing. Please have the wiring connection of the power supply, speakers and antenna as for the requirement of the manual.

Before installation remove the 2 screws that protect the deck away, and then install the metal sliding housing into the car according to the diagram.



Detachable control panel

Detaching the front panel

1. Press the OPEN button on the front panel. The panel will go down.
2. Push the panel to the left and then pull it towards you.

Attaching the control panel

1. Insert the left side of the control panel into the main unit and press it.

Note: the control panel must be attached into the T-Joint.

2. Insert the right side into the main unit.
3. Close the panel and press it until a “click” sound is heard

Caution:

DO NOT insert the control panel from the right side. It can damage the control panel.

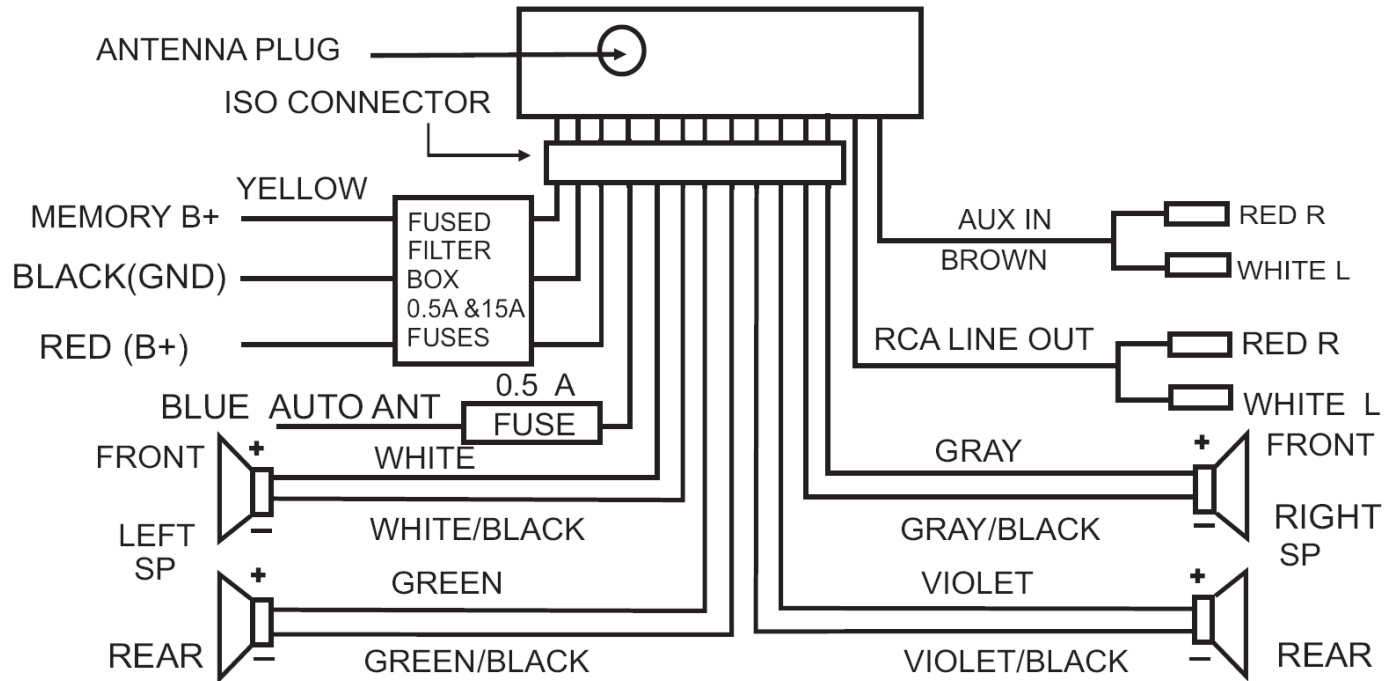
The control panel can easily be damaged by shocks. After removing it, place it in a protective case and be careful not to drop it or subject it to strong shocks.

The rear connector that connects the main unit and the control panel is an extremely important part. Be careful not to damage it by pressing on it with fingernails, pens, screwdrivers, etc.

Note:

If the control panel is dirty, wipe off the dirt with soft, dry cloth only. And use a cotton swab soaked in isopropyl alcohol to clean the socket on the back of the control panel.

Electrical connection

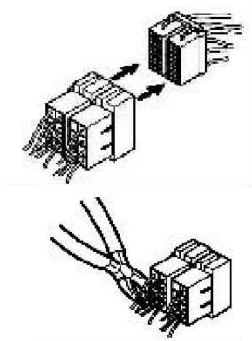


Notes:

In spite of having any kinds of speaker system, must use 4 ohms impedance of speaker to reduce the distortion during high volume level.

Prohibit to make the conductors of auto antenna and ground touch with each other.

Using the ISO Connector



1. If your car is equipped with the ISO connector, then connect the ISO connectors as illustrated.

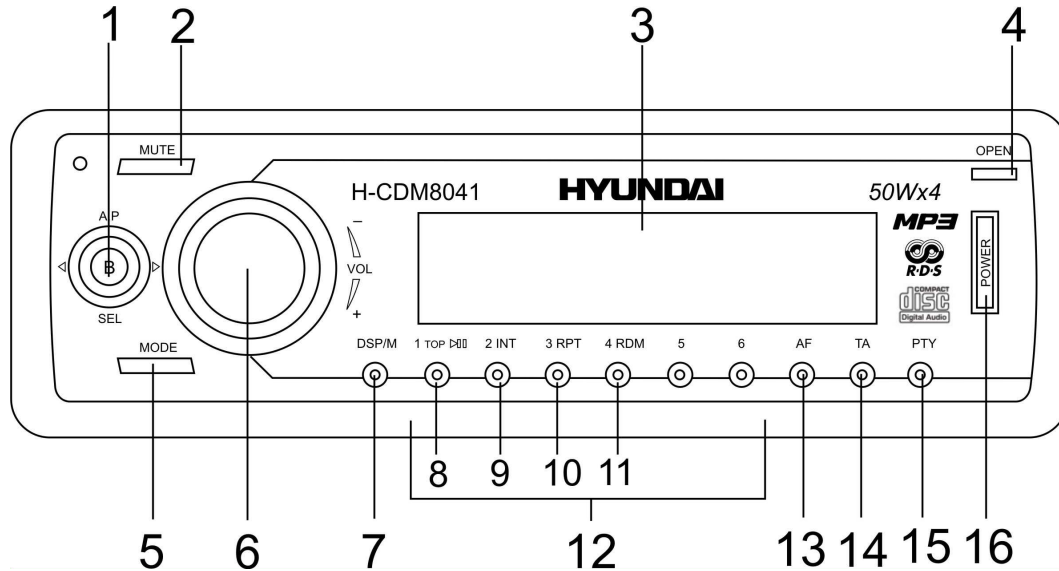
2. For connections without the ISO connectors, check the wiring in the vehicle carefully before connecting, incorrect connection may cause serious damage to this unit.

Cut the connector, connect the colored leads of the power cord to the car battery as shown in the color code table below for speaker and power cable connections.

Location	Function	
	Connector A	Connector B
1		Rear Right(+)--Violet
2		Rear Right(--Violet/Black stripe
3		Front Right(+)--Grey
4	Battery 12V (+)/yellow	Front Right(--Grey/Black Stripe
5	Auto Antenna/blue	Front Left(+)--White
6		Front Left(--White/Black Stripe
7	ACC+/red	Rear Left(+)--Green
8	Ground/black	Rear Left(--Green/Black Stripe

Panel controls

Front panel



1. A.P / SEL / B / ◀/▶ buttons

In Radio mode press the A.P button to scan the preset memorized stations. Press it and hold for 2 seconds to store the programs with the best reception into preset buttons automatically.

Press the SEL button repeatedly to select the audio modes:

BAS => MID => TREBLE => LOUD => 3D GAIN => BAL/FAD => BEEP TONE.

Rotate VOL knob to adjust each mode. But when you select the BAL/FAD mode press the ◀/▶ buttons to adjust Balance, Rotate VOL knob to adjust Fader.

During playback press the B button to enter the file search menu.

In Radio mode press the B button repeatedly to select your desired radio band.

In Radio mode press the ◀/▶ buttons to start automatic station search.

In Radio mode press and hold for 2 seconds the ◀/▶ buttons to enter the manual station search.

During playback press the ◀/▶ buttons to go to previous/next track.

During playback press and hold for 2 seconds the ◀/▶ buttons to change fast previous/forward playing speed.

In menu use the ◀/▶ buttons to navigate through it.

2. MUTE button

Press it to cut down the volume output, press it again or rotate VOL+/- knob to resume volume.

3. LCD (LIQUID CRYSTAL DISPLAY)

4. OPEN button

Press it to flip down the front panel.

5. MODE button

Press to select the mode: RADIO => DISC => AUX.

6. VOL+/- knob

Rotate VOL knob clockwise to increase the volume level; rotate anticlockwise to decrease the volume level.

7. DSP/M button

Press the button to select the display status: PTY => Spectrum => Animations => Normal.

Press and hold for 2 seconds the button to select the system menu settings: STAND BY LCD => SCREEN SAVER => PTM => VOLUME PGM => LCD MODE => DATE SET => CLOCK => TIME FORMAT => LOCAL/DISYANT => AREA => AUTO SEEK => TA SEEK => TA VOLUME => REGION.

Rotate VOL knob to adjust each mode.

8. TOP/PLAY/PAUSE button

Use this button to pause playback. Under the pause status, press it to play.

9. INT button

Press it to start playback of first 10 second of each track.

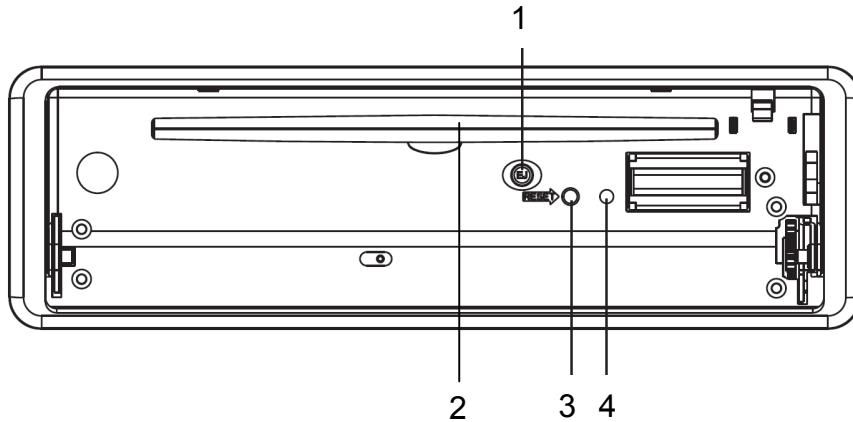
10. RPT button

Use this button to play current track repeatedly.

11. RDM button
Press to start random playback.
12. PRESET STATION [1-6] buttons
13. AF button
Press it to enter the AF mode.
Press and hold for 2 seconds to turn the EON function on/off.
14. TA button
Press it to activate/ deactivate the TA function.
Press and hold for 2 seconds to turn the LOUD function on/off.
15. PTY button
Press it to activate/ deactivate the PTY function.
Press PTY button and hold for 2 seconds to turn the LOCAL function On or Off.
16. POWER button
Press POWER button to turn the power on, press again to turn the power off. Press and hold for 2 seconds to turn the power off and reset the clock.

Back of the front panel

Press the RELEASE button on the front panel to flip it down.



1. EJECT button
2. Disc slot
3. RESET button
4. Anti-theft LED indicator

Note: Pressing the RESET button will erase the clock setting and stored stations.
Panel status indicator lights up when you slide the panel down; flashes when you remove the panel.

General operations

Reset the unit

Operating the unit for the first time or after replacing the car battery, you must reset the unit.

Press OPEN button on the panel to open the panel and press the RESET button with thin hard object to restore the unit to the original factory settings.

Power button

Press any button to turn the unit on. Press the POWER button shortly to turn off the unit but the electronic clock. Press and hold POWER button to switch the unit and the clock settings off.

Note: After the unit is off, the volume level and radio current settings will be memorized, and when you turn the unit on it will resume the stored status which you set.

Volume control

Rotate the VOL+/- knob to adjust the volume level.

Setting the sound characteristics

Press SEL button shortly and repeatedly to select the audio menu items: BAS => MID => TREBLE => LOUD => 3D GAIN => BAL/FAD => BEEP TONE in the sequence and circulation. After selecting the desired audio menu item, rotate VOL knob to adjust it.

Note: After selecting the BAL/FAD item, press ◀/▶ buttons to adjust BALANCE and rotate VOL knob to adjust FADER.

Adjusting the system menu

Press and hold for 2 seconds the DSP/M button, press it or the ► button repeatedly to select the system menu settings: STAND BY LCD => SCREEN SAVER => PTM => VOLUME PGM => LCD MODE => DATE SET => CLOCK => TIME FORMAT => LOCAL/DISYANT => AREA => AUTO SEEK => TA SEEK => TA VOLUME => REGION.

Rotate the VOL knob to adjust each setting.

Stand by LCD - user can select what will be displayed on the LCD when power off the unit: DEMO, TIME, P.T.M, OFF. The default mode is DEMO.

Screen saver - user can select the screensaver: DEMO, TIME, P.T.M, OFF. The default mode is OFF.

P.T.M - user can edit max 28 characters of the favorite words to be displayed dynamically when P.T.M mode is selected in STAND BY LCD or SCREEN SAVER item. Press SEL button to enter Input Character mode, then rotate VOL knob to input character at the position of cursor, press ◀/▶ button to move cursor. Press SEL button to exit.

Volume PGM - user can set up an initial volume value. The default value is 12. Every time the unit turned from POWER OFF to POWER ON status, if the value is more than the current one, change the current volume value to VOLUME PGM value.

LCD mode - user can select the normal or reverse LCD display mode. The defaulted mode is normal one.

Date set - year, month, day and week can be adjusted in this item. Press SEL button to enter them.

Clock - hour and minute can be adjusted in this item. Press SEL button to enter them.

Time format – select the clock mode: 12H or 24H.

Local/distant – select the LOCAL and DISTANT mode. The default mode is DISTANT.

Area (frequency) - the defaulted mode is selected by hardware jumper. Select the area: OIRT => EUROPE => S.AMERICA => U.S.A => ASIA => AUST.

Auto seek - user can switch between RDS and ALL. The defaulted is ALL.

TA seek - user can switch between ON and OFF.

TA volume - the value define the minimum value of the TA Volume can be adjusted down. The adjustable range is 0~40. The default one is 18.

Region - set the region code function ON or OFF.

Note: during setting up press A.P button to exit.

Turning the sound off

Press the MUTE button to turn the sound off. Press it again to turn the sound on.

Mode setting

Press the MODE button repeatedly to select RADIO => DISC => AUX.

Display status

Press the button to select the display status: PTY => Spectrum => Animations => Normal.

Loudness adjustment

Press and hold for 2 seconds the TA button to turn the LOUD function on/off.

Digital tuner operations

Note: RDS (Radio Data System) service availability varies with areas. Please understand if RDS service is not available in you area, the following service is not available, either.

Band selection

Press the MODE button to select RADIO.

Press BAND once or more to select: FM1, FM2, FM3, AM1, AM2.

Manual/ automatic tuning

Manual tuning: press ◀/▶ buttons for 2 seconds to enter manual tuning. Press ◀/▶ buttons to tune down/up.

Automatic tuning: press ◀/▶ buttons to activate the automatic search. It will play when finds the station.

Programming tuner stations

You can store up to a total of 30 radio stations in the memory (18 FM, 12 AM), manually or automatically.

To store a station:

- Select a band (if needed)
- Select a station
- Hold a Preset button (1-6) you want store the station for at least 2 seconds.

To recall a station:

- Select a band (if needed)
- Press a Preset button (1-6) briefly to recall the stored station

Auto memory store

Select a band. Press A.P button and hold for 2 seconds to enter auto store mode. The radio will automatically store 6 stations to the 6 preset memories of the current band. To stop auto store, press it again.

Preset scan

Select a band. Press A.P button to scan all preset stations in the memories of the current band and stay on each memory stations for about 7 seconds. To stop preset scan, press the button again.

Local/ Distant mode

Press PTY button and hold for 2 seconds to turn the LOCAL function On or Off.

Local mode improves reception in some areas where the signal is too strong.

EON function

This unit is equipped with the latest technology of EON control, so that when you are listening to Radio or CD, if there is any travel announcement from a nearby local station, the radio will already know the frequency of that radio station. Then it will receive the station, turn up the volume, or interrupt the playback for the duration of the announcement. At the end of the announcement the radio will return to its previous state ready for the next announcement.

Press and hold for 2 seconds the AF button to turn the EON function on/off.

TA (Traffic Announcement) function

Press the TA button shortly to turn on or turn off the TA function.

In TA mode (LCD shows TA) traffic program will be automatically searched, until the program is received. If the current volume level is less then the default one (you can set it pressing and holding the DSP/M button, then rotating the VOL knob), when the tuner switches into the traffic program, the volume will be set as default.

Press and hold the DSP/M button, then rotate the VOL knob to select the SEEK mode ON or OFF setting and adjust it.

Seek on mode: during searching the radio retunes to a different station, which contains TP information.

AF (Alternative Frequencies) function

Press the AF button on the panel to turn on or turn off the AF function. If the AF function is on the display will show “AF”. The RDS program will be automatically searched and received. After turning on, if the RDS signal is weak or even no signal, the unit will search another frequency with this RDS program.

Default setting is ON.

PTY (Program Type) function

1. Press PTY button to select the program type group: MUSIC GROUP => SPEECH GROUP => PTY OFF.
2. When the program type is selected press the digit buttons (1~6) repeatedly to select the program type according to the table:

Button Number	Music Group	Speech Group
1	POP, ROCK	NEWS, AFFAIRS, INFO
2	EASY, LIGHT	SPORT, EDUCATE, DRAMA
3	CLASSICS,	CULTURE, SCIENCE, VARIED
4	JAZZ, COUNTRY	WEATHER, FINANCE, CHILDREN
5	NATION, OLDIES	SOCIAL, RELIGION, PHONE IN
6	FOLK	TRAVEL, LEISURE, DOCUMENT

3. Searching will start. If PTY code is different or not available, the PTY icon will start blinking.
4. Press PTY button again to switch the PTY function off.

CD operations

Discs for playback

This unit can play disc types: CD/CD-R/-RW.

Compatible with formats: MP3/WMA/CDDA.

Loading a disc

1. Turn the power on.
2. Press the OPEN button on the panel.
3. Insert the disc with the printed side facing upward into the slot.
4. Press EJECT button on the inner side to eject the disc.

Playing/ pausing

When the disc has been already loaded, the playback of the first track starts automatically.

To ensure good system performance, wait until the unit finishes reading the disc information before proceeding.

Press the PLAY/PAUSE button to start playback.

Press the PLAY/PAUSE button to pause the playback. Press again to resume the playback.

Playing the previous/ next track

1. During playback press the ◀ button to go to the beginning of the current track. Press again to go to previous track.
2. During playback press the ▶ button to go to the next track.

Selecting the previous/ next folder

For MP3 and WMA files playback press the 5/6 number buttons to go to previous/ next folder.

Fast forward and backward playback

Press and hold for 2 seconds the ◀/▶ buttons to fast the playing in backward or forward direction. Release the button when the desired location is found.

Scanning (intro)

You can play the beginning of every track for 10 seconds in sequence. Press the INT button shortly to start intro playback of tracks.

For MP3 and WMA files playback press and hold for 2 seconds the INT button to start the intro playing of the tracks in current folder.

Repeat playback

Press the RPT button shortly to repeat current track. Press again to stop.

For MP3 and WMA files playback press and hold for 2 seconds the RPT button to start the repeat playing of the tracks in current folder.

Random playback

During disc playback, press the RDM button to play all tracks on the disc in random order. Press again to cancel.

File search function

1. For MP3 and WMA files playback press the B button to enter the search menu. The display will show the Root folder.
2. Press SEL button to enter it. The display will show the folders list.
3. Rotate the VOL knob to select the desired folder.
4. Press SEL to enter it. The display will show the folders or files list.
5. Rotate the VOL knob to select the desired file/folder.

6. Press SEL to start the selected file playback.

Displaying the ID3 information

Under MP3 mode press the A.P button repeatedly, the folder name, file name, title, artist and album information will be scrolling on the LCD display.

As long as the current playing MP3 music contains relevant ID3 tag information in version 1.0/2.0 format, the 3 items underlined above will be scrolling on the LCD display; otherwise, they will not.

MP3 overview

Notes on MP3:

MP3 is short for MPEG Audio Layer 3 and refers to an audio compression technology standard.

This product allows playback of MP3 files on CD-ROM, CD-R or CD-RW discs.

The unit can read MP3 files written in the format compliant with ISO 9660. However it does not support the MP3 data written by the method of packet write.

The unit can not read an MP3 file that has a file extension other than “.mp3”.

If you play a non- MP3 file that has the “.mp3” extension, you may hear some noise.

In this manual, we refer to what are called “MP3 file” and “folder” in PC terminology as “track” and “album”, respectively.

Maximum number of directory level is 8, including the root directory. Maximum number of files and folders per disc is 256.

The unit may not play tracks in the order of Track numbers.

The unit plays only the audio tracks if a disc contains both audio tracks and MP3 files.

When playing a disc of 8 kbps or “VBR”, the elapsed playing time in the display window will not be correct and also the intro play may not function properly. “VBR”: Variable Bit Rate.

Notes on creating your own CD-R or CD-RW containing MP3 files:

To enjoy high quality sound, we recommend converting to MP3 files with a sampling frequency of 44.1 kHz and a fixed bit rate of 128 kbps.

DO NOT store more than 256 MP3 files per disc.

For ISO 9660 - compliant format, the maximum allowable depth of nested folders is 8, including the root directory (folder).

When CD-R disc is used, playback is possible only for discs, which have been finalized.

Make sure that when MP3 CD-R or CD-RW is burned that it is formatted as a data disc and NOT as an audio disc.

You should not write non-MP3 files or unneeded folders along with MP3 files on the disc otherwise it takes a long time until the unit starts to play MP3 files.

With some CD-R or CD-RW media, data may not be properly written depending on its manufacturing quality. In this case, data may not be reproduced correctly. High quality CD-R or CD-RW disc is recommended.

Up to 16 characters are displayed for the name of an Album or a Track. ID3TAG version 1.x is required.

Note that the unit may not play Tracks in the order that you wrote them to the disc.

Anti-theft system

Remove the panel

1. Press POWER button to switch off the power of the unit.
2. Press OPEN button to flip down the panel.
3. Push the panel to the left and then pull it towards you.

Remove the unit

1. Remove the panel and the trim plate.
2. Insert both T-Keys into hole on the front of the set until they lock.
3. Pull out the unit.

Handling discs

Dirty, scratched or warped discs may cause skip ping or noise.

Handle the disc only by the edges. To keep clean do not touch its surface.

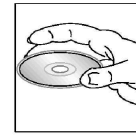
Discs should be stored in their cases after use to avoid scratches.

Do not expose discs to direct sunlight, high humidity, high temperature or dust.

Prolonged exposure to extreme temperature can warp the disc (such as leaving the discs in your car during summertime).

Do not stick or write anything on either side of disc. Sharp writing instruments, or the inks used in some felt-tip pens, may damage its surface.

DO NOT touch the unlabeled side. DO NOT attach any seal, label or data protection sheet to either side of a disc.



Cleaning

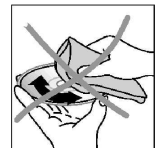
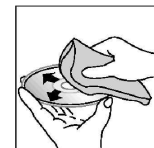
Cleaning the cabinet

Wipe with a soft cloth. If the cabinet is very dampen (not dropping wet) the cloth with a weak solution of soapy water, and then wipe clean.

Cleaning discs

Fingerprints should be carefully wiped from the surface of disc with a soft cloth. Unlike conventional records, compact discs have no grooves to collect dust and macroscopic dirt, so gently wiping them with a soft cloth should remove most panicles. Wipe in a straight motion from the center to the edge.

Never use thinner benzine, record cleaner or anti static spray on a compact disc. Such chemicals can damage its plastic surface.



Troubleshooting guide

Symptom	Cause	Solution
General No power	The car ignition is not on. The fuse is blown.	If the power supply is properly connected to the car accessory switch the ignition key to “ACC”. Replace the fuse.
Disc Disc cannot be loaded.	Presence of disc inside the player.	Remove the disc in the player then put a new upward.
Disc cannot be read.	Inserting the disc in upside down. Compact disc is extremely dirty or defective. Temperature inside the car is too high.	Insert the compact disc with the label facing upward. Clean the disc or try to play a new one. Cool off until the ambient temperature returns to normal.
No sound	Volume is in minimum. Wiring is not properly connected.	Adjust volume to a desired level. Check wiring connection.
The operation keys do not work.	The built-in microcomputer is not operating properly due to noise. Front panel is not properly fix into its place.	Press the RESET button. Reinstall the front panel.
Sound skips.	The installation angle is more than 30 degrees. The disc is extremely dirty or defective.	Adjust the installation angle to less than 30 degrees. Clean the compact disc/try to play a new one.
The radio does not work, the radio station automatic selection does not work.	The antenna cable is not connected the signals are too weak.	Insert the antenna cable firmly select a station manually.

Specification

General	
Power supply:	12 V DC
Current consumption:	max. 15 A
Maximum power output:	50 W x 4 channels
Dimensions (L x W x H):	178 x 165 x 50 mm
Working temperature range:	-10°C - +60°C
FM Stereo Radio	
Frequency range:	65 – 74 / 87.5 - 108.0 MHz
Usable sensitivity (S/N = 30 dB):	3 uV
Preset memory stations:	18
MW and LW section	
Frequency range:	522 kHz - 1620 kHz
Preset memory stations:	12
Audio specification	
Maximum output:	2 Vrms (+/- 3 dB)
Frequency response:	20 Hz - 20 KHz
S/N ratio(A-vtd):	> 55 dB
DSP sound effect:	Classic, Rock, Pop, Flat
Line out	
Output:	CD max 2000 mV

Specifications are subject to change without notice. Mass and dimension are approximate.

Уважаемый покупатель!

Благодарим Вас за покупку нашего изделия. Для обеспечения безопасности рекомендуется тщательно изучить настоящее руководство перед подключением, эксплуатацией и/или регулировкой изделия, и сохраняйте руководство для использования в будущем.

Содержание

Содержание.....	26
Меры предосторожности.....	27
Установка/ подключение.....	28
Органы управления	32
Основные операции.....	36
Цифровой тюнер.....	39
Воспроизведение файлов с CD	42
Обзор MP3	45
Система против кражи	47
Обращение с дисками.....	47
Чистка и уход.....	48
Руководство по устранению неисправностей.....	49
Технические характеристики	50

Меры предосторожности

Использование данного устройства при температуре ниже -10°C может привести к поломке. **ПЕРЕД ИСПОЛЬЗОВАНИЕМ ПРЕДВАРИТЕЛЬНО ПРОГРЕЙТЕ САЛОН АВТОМОБИЛЯ ДО РЕКОМЕНДОВАННОЙ ТЕМПЕРАТУРЫ!**

Тщательно изучите настоящую инструкцию, чтобы ознакомиться с аудиосистемой.

При установке и подключении изделия отключите отрицательную клемму аккумулятора автомобиля.

При замене предохранителя, убедитесь, что вы устанавливаете предохранитель с тем же номиналом.

Используя предохранитель с повышенным значением тока, можно причинить значительные повреждения изделию.

Не пытайтесь разбирать изделие. Лазерные лучи, исходящие из блока оптической головки считывания информации с компакт-диска, опасны для глаз.

Убедитесь, что шпильки или другие посторонние предметы не попали внутрь изделия. Они могут вызвать сбой в работе или стать причиной опасности, такой, как поражение электрическим током или лазерным лучом.

Если вы ставите автомобиль на стоянку на длительное время в жаркое или холодное время года, подождите, пока температура в автомобиле не станет нормальной, перед тем как включать изделие.

НЕ открывайте крышки и не проводите ремонт самостоятельно. Обратитесь к дилеру или квалифицированному персоналу

Убедитесь, вы отключаете источник питания и антенну, если вы не будете пользоваться системой в течение длительного времени или во время грозы.

Убедитесь, что вы отключаете источник питания, если обнаружена неправильная работа системы, система издает необычные звуки, запах, выделяет дым или внутрь ее попала жидкость. Проведите квалифицированный технический осмотр системы.

Прибор разработан так, чтобы отрицательный вывод аккумулятора был подключен к корпусу транспортного средства. Пожалуйста, убедитесь в этом перед установкой.

Не позволяйте проводам динамиков касаться друг друга при включении прибора. В противном случае, может быть перегружен или выйти из строя усилитель питания.

Не устанавливайте съемную панель перед подключением кабеля.

Не снимайте панель во время записи.

Установка/ подключение

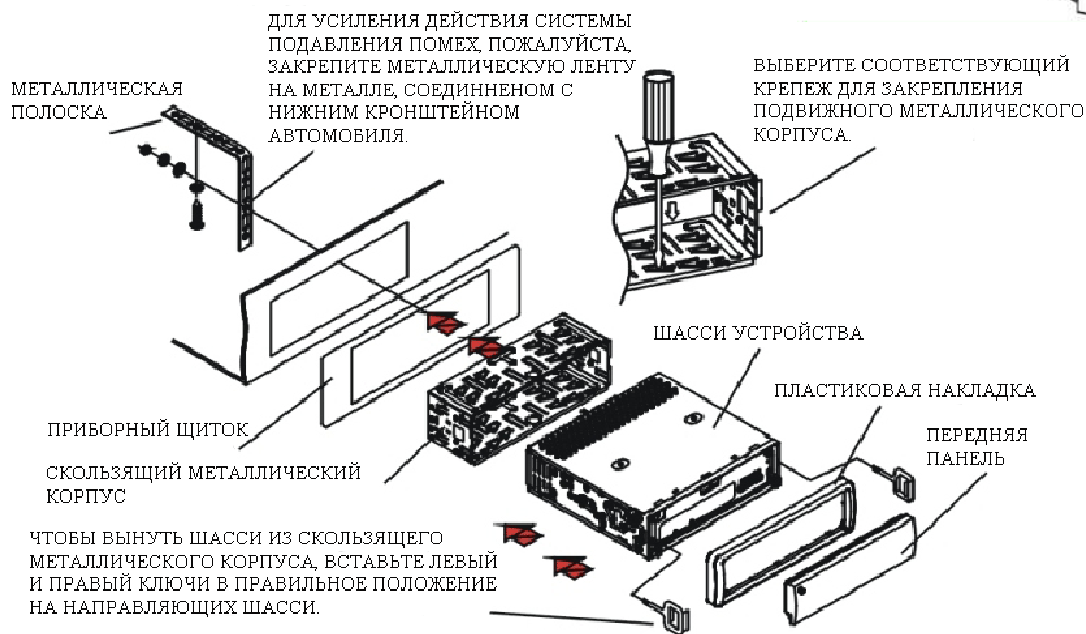
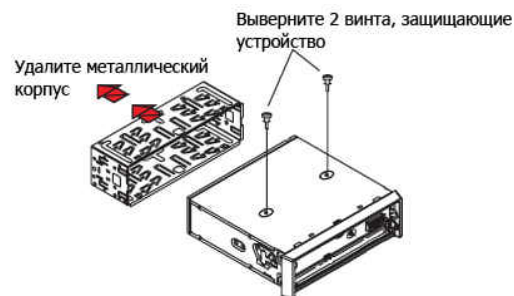
Сначала проведите электрические подключения, затем проверьте их правильность.

Способ установки

Шасси имеет корпус с металлическими направляющими.

Пожалуйста, проведите соединение проводов источника питания, динамиков и антенны в соответствии с требованиями инструкции.

Перед установкой удалите металлический корпус и выверните 2 винта, защищающие устройство от повреждений до подключения. Затем установите устройство в соответствии с приведенной схемой.



Работа со съемной панелью

Снятие съемной панели

1. Нажмите на кнопку OPEN панели. Панель опустится вниз.
2. Сдвиньте панель в левую сторону и вытяните ее на себя.

Установка съемной панели

1. Держите панель так, чтобы ее лицевая сторона была направлена вниз. Установите левую нижнюю часть панели в кронштейн магнитолы.
2. Нажмите на панель в левую сторону, установите правую нижнюю часть магнитолы.
2. Поднимите панель. Нажмите на верхнюю часть панели, чтобы она защелкнулась.

Внимание:

Не пытайтесь установить панель в правый кронштейн. Это может повредить устройство.

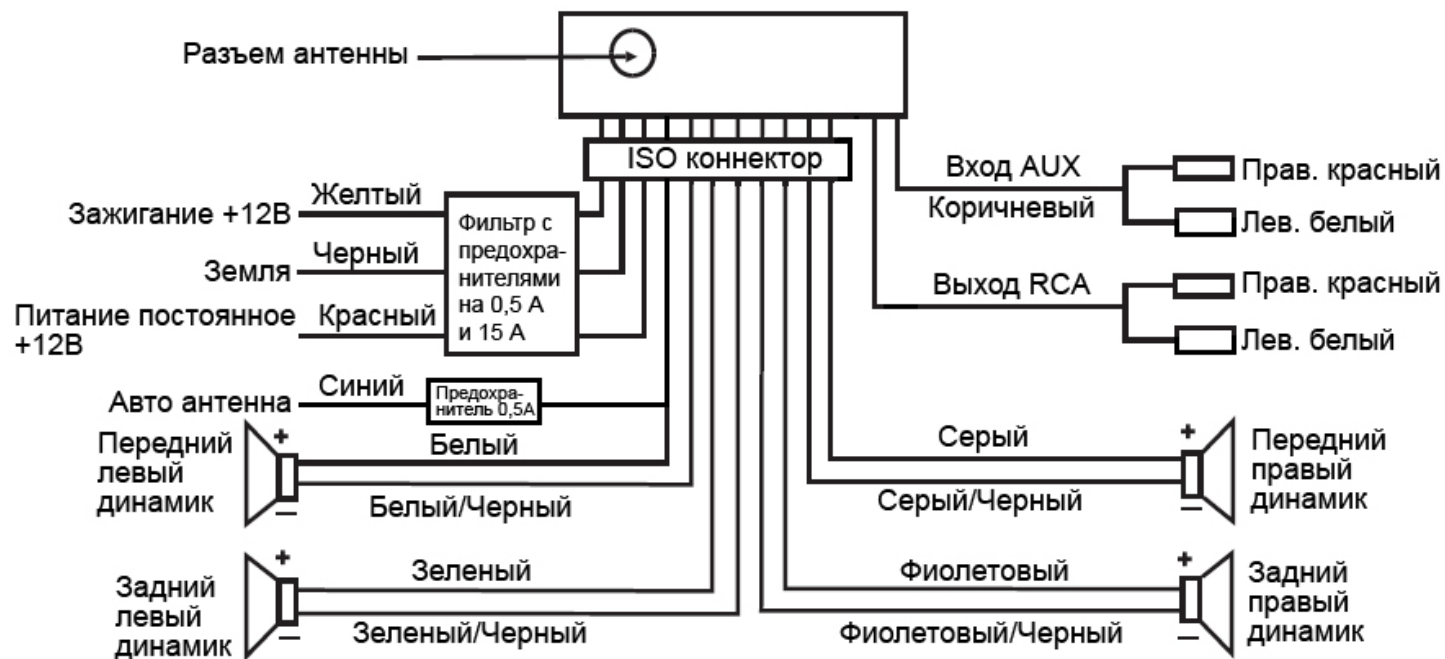
Панель может повредиться из-за внешних факторов: тряски, ударов. После снятия ее с устройства держите панель в защитном футляре и старайтесь не ронять и не наносить физических повреждений.

Очень важным элементом является коннектор на задней части панели. Не нажимайте на нее ногтями, ручками, отвертками.

Примечание:

Если панель загрязнилась или запылилась, протрите ее сухой чистой тканью. Для чистки разъема в задней части панели используйте тампон, смоченный техническим спиртом.

Схема электрических соединений

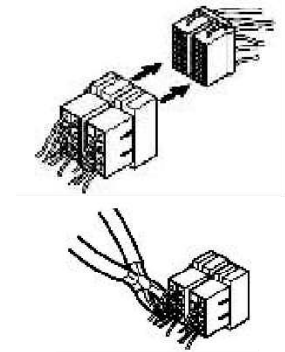


Внимание:

Не меняйте соединение красного и желтого проводов!!!

Для некоторых моделей необходимо будет изменить соединение проводов питания. Перед установкой свяжитесь с Вашим региональным дилером.

Использование разъема ISO

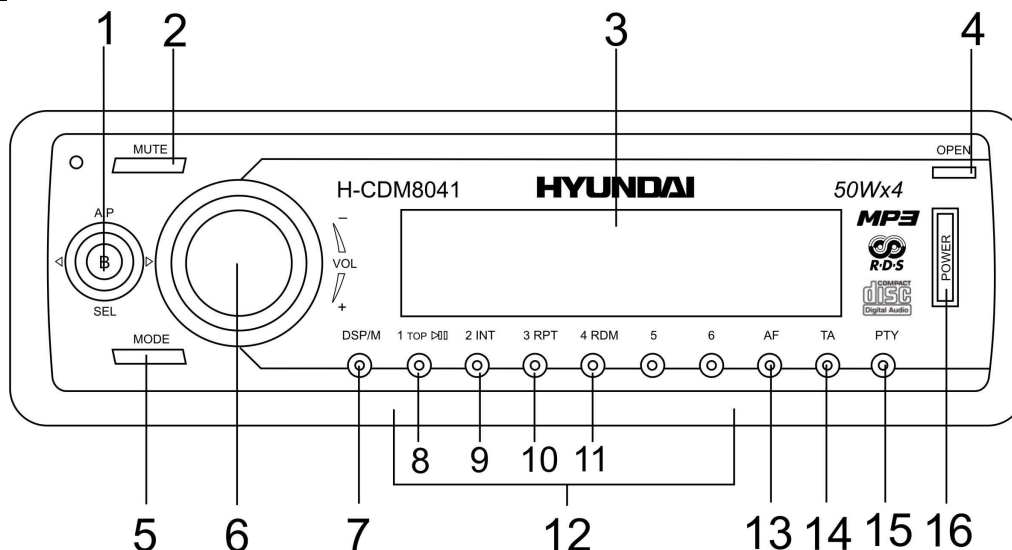


1. Если в Вашем автомобиле есть разъем ISO, произведите подключение, как показано на рисунке.
2. Для подключений без разъемов ISO внимательно проверьте все провода перед подключением, неправильное подключение может привести к повреждениям изделия.
Обрежьте разъем, подключите цветные головки разъема к шнуру питания батареи в соответствии с приведенной таблицей.

Номер	Функция	
	Разъем А	Разъем В
1		Задний правый(+)--Фиолетовый
2		Задний правый(--Фиолетовый/Черный
3		Передний правый(+)--Серый
4	Питание 12В (+)/желтый	Передний правый(--Серый/Черный
5	Авто антенна /синий	Передний левый(+)--Белый
6		Передний левый(--Белый/Черный
7	АСС+/красный	Задний левый(+)--Зеленый
8	Земля/черный	Задний левый(--Зеленый/Черный

Органы управления

Передняя панель



1. Кнопка A.P / SEL / B / Кнопки ◀/▶

В режиме Радио нажмите на кнопку A.P для сканирования предварительно установленных станций 1 – 6 в течение 5 секунд каждую. Нажмите и удерживайте в течение 2 секунд, чтобы включить функцию авто сохранения станций.

Нажимайте на кнопку SEL, чтобы выбрать аудио настройку: BAS => MID => TREBLE => LOUD => 3D GAIN => BAL/FAD => BEEP TONE.

Вращайте регулятор громкости, чтобы отрегулировать настройку. Однако в случае настройки BAL/FAD вращайте регулятор громкости, чтобы отрегулировать FADER, нажимайте на ◀/▶, чтобы отрегулировать BALANCE.

Во время воспроизведения нажмите на кнопку B, чтобы войти в режим поиска файлов.

В режиме Радио нажимайте кнопку В для установки диапазона радиоприемника.

Во время воспроизведения нажимайте на кнопки ◀/▶, чтобы перейти к предыдущему/ следующему треку/ главе/ заголовку.

Нажмите и удерживайте кнопки ◀/▶, чтобы начать ускоренное воспроизведение назад/ вперед.

В режиме Радио нажимайте на кнопки ◀/▶, чтобы начать автоматический поиск станции.

Нажмите и удерживайте кнопки ◀/▶, чтобы войти в режим ручного поиска станций.

2. Кнопка MUTE

Нажмите на кнопку, чтобы выключить звук. Нажмите снова или вращайте регулятор громкости, чтобы вернуть звук на прежний уровень.

3. Жидкокристаллический дисплей.

4. Кнопка OPEN

Нажмите на кнопку, чтобы открыть панель.

5. Кнопка MODE

Нажимайте на кнопку, чтобы выбрать режим: RADIO (Радио) => DISC (Диск) => AUX.

6. Регулятор громкости VOL+/-

Вращайте регулятор громкости по часовой стрелке, чтобы увеличить уровень громкости, вращайте против часовой стрелки, чтобы уменьшить уровень громкости.

7. Кнопка DSP/M

Нажмите на кнопку, чтобы отобразить на дисплее дисплея:PTY (тип принимаемой программы) => Spectrum (спектральный анализатор) => Animations (анимация) => Обычный режим.

Нажмите и удерживайте в течение 2 секунд, чтобы выбрать настройку меню: STAND BY LCD => SCREEN SAVER => PTM => VOLUME PGM => LCD MODE => DATE SET => CLOCK => TIME FORMAT => LOCAL/DISYANT => AREA => AUTO SEEK => TA SEEK => TA VOLUME => REGION.

Вращайте регулятор громкости, чтобы отрегулировать настройку.

8. Кнопка TOP/ PLAY/PAUSE
В режиме DISC нажмите на эту кнопку, чтобы начать воспроизведение. Во время воспроизведения нажмите на кнопку PLAY/PAUSE, чтобы поставить воспроизведение на паузу. Нажмите еще раз, чтобы продолжить воспроизведение.
9. Кнопка INT
Используйте эту кнопку для прослушивания первых 10 секунд каждого трека.
10. Кнопка RPT
Используйте эту кнопку для повторного воспроизведения текущего трека.
11. Кнопка RDM (случайное воспроизведение)
Используйте эту кнопку для случайного воспроизведения треков.
12. Кнопки с цифрами (1-6)
13. Кнопка AF
В режиме Радио нажмите на кнопку, чтобы включить/ выключить функцию AF (альтернативные частоты).
Нажмите и удерживайте кнопку в течение 2 секунд, чтобы включить/ выключить функцию EON.
14. Кнопка TA
В режиме Радио нажмите на кнопку, чтобы включить/ выключить функцию TA (дорожных объявлений).
Нажмите и удерживайте кнопку в течение 2 секунд, чтобы включить/ выключить функцию LOUD.
15. КнопкаPTY
В режиме Радио нажмите на кнопку, чтобы включить/ выключить функциюPTY (настройки типа принимаемой программы).
Нажмите и удерживайте кнопку в течение 2 секунд, чтобы включить/ выключить функцию LOCAL (локального приема).

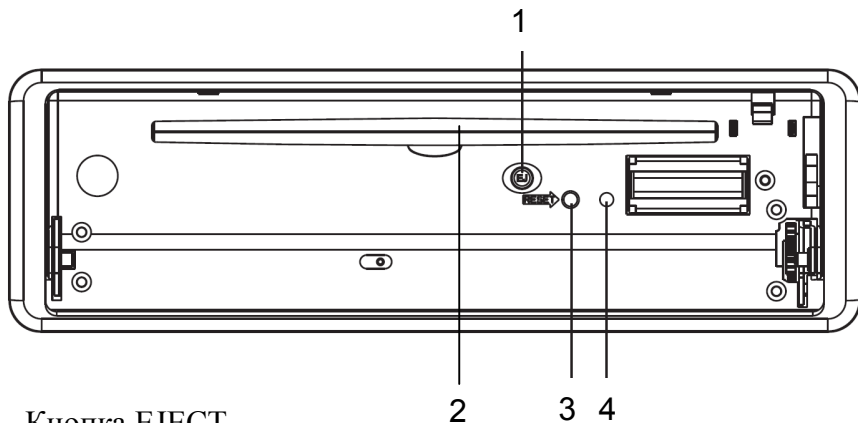
16. Кнопка POWER

Нажмите на кнопку POWER, чтобы включить питание устройства. Нажимайте на кнопку еще раз, чтобы выключить его.

Нажмите и удерживайте кнопку в течение 2 секунд, чтобы выключить питание и стереть установленное время.

Обратная сторона передней панели

Нажмите на кнопку RELEASE, чтобы откинуть панель.



1. Кнопка EJECT
2. Слот для диска
3. Кнопка RESET
4. LED индикатор

Внимание: При нажатии на кнопку RESET все настройки и станции будут удалены из памяти устройства. Когда Вы опускаете панель, индикатор статуса панели засветится, при удалении панели индикатор начнет мигать.

Основные операции

Кнопка RESET (сброс)

Нажмите на панели на кнопку OPEN. Панель откроется. Нажмите на кнопку сброса RESET, расположенную за передней панели.

Эта мера необходима в следующих ситуациях: исходная установка устройства после подключения, никакие кнопки не действуют, символы ошибок появляются на дисплее.

Кнопка включения

Нажмите любую кнопку, чтобы включить устройство. Нажмите на кнопку POWER, чтобы выключить питание.

Нажмите и удерживайте кнопку в течение 2 секунд, чтобы выключить питание и стереть установленное время.

Внимание: Когда Вы выключаете систему или зажигание автомобиля, громкость звука и радио настройки будут сохранена в памяти устройства, и при включении установки вернуться к сохраненным значениям.

Регулировка громкости

Поворачивайте регулятор громкости VOL+/-, чтобы отрегулировать громкость.

Регулировка настроек аудио

Нажимайте на кнопку SEL, чтобы выбрать одну из настроек аудио: BAS (низкие частоты) => MID => TREBLE (высокие частоты) => LOUD (тонкомпенсация) => 3D GAIN (эффект объемного звучания) => BAL (баланс левые/ правые динамики)/ FAD (баланс задние/ передние динамики) => BEEP TONE.

Вращайте регулятор громкости, чтобы отрегулировать настройку.

Внимание: В случае настройки BAL/FAD вращайте регулятор громкости, чтобы отрегулировать FADER, нажимайте на ◀/▶, чтобы отрегулировать BALANCE.

Регулировка других настроек

Нажмите и удерживайте в течение 2 секунд кнопку DSP/M, чтобы выбрать настройку меню: STAND BY LCD => SCREEN SAVER => PTM => VOLUME PGM => LCD MODE => DATE SET => CLOCK => TIME FORMAT => LOCAL/DISTANT => AREA => AUTO SEEK => TA SEEK => TA VOLUME => REGION.

Вращайте регулятор громкости, чтобы отрегулировать настройку.

Stand by LCD: выберите, что будет на дисплее после выключения питания: DEMO, TIME (время), PTM, OFF (выкл.). По умолчанию DEMO.

Screen saver: выберите, что будет на дисплее в режиме скринсейвера: DEMO, TIME (время), PTM, OFF (выкл.). По умолчанию DEMO.

PTM: введите максимум 28 букв, которые будут динамически отображаться на дисплее после выключения питания или в режиме скринсейвера.

Volume PGM: установите уровень громкости при включении питания.

LCD mode: выберите нормальный или перевернутый режим дисплея. По умолчанию нормальный режим.

Date set: установите год, месяц и день. Нажмите SEL, чтобы ввести данные.

Clock: установите часы и минуты. Нажмите SEL, чтобы ввести данные.

Time format: выберите режим отображения времени: 12H и 24H.

Local/Distant: выберите режим LOCAL или DISTANT.

Area: по умолчанию значение установлено при помощи джампера. Выберите регион: OIRT => EUROPE => S. AMERICA => USA => ASIA => AUST.

Auto seek: выберите значение: RDS и ALL (все).

TA seek: выберите значение ON (вкл.) и OFF (выкл.).

TA volume: установите уровень громкости звука в режиме TA (0-40). По умолчанию уровень 18.

Region: включите или выключите функцию регионального кода.

Примечание: во время настройки для выхода из меню нажмите на A.P.

Выключение звука

Нажмите на кнопку MUTE, чтобы выключить звук. Нажмите на кнопку еще раз или вращайте регулятор громкости, чтобы включить звук.

Выбор режима работы

Нажмите на кнопку MODE, чтобы выбрать режим работы устройства: RADIO(Радио) => DISC (Диск) => AUX.

Настройка дисплея

Нажмите на кнопку, чтобы отобразить на дисплее:PTY (тип принимаемой программы) => Spectrum (спектральный анализатор) => Animations (анимация) => Обычный режим.

Настройка тонкомпенсации (LOUD)

Нажмите и удерживайте в течение 2 секунд кнопку TA, чтобы включить или выключить функцию тонкомпенсации (LOUD).

Цифровой тюнер

Внимание: Сервис RDS (Система радио данных) доступен не во всех регионах. Имейте в виду, что если услуга RDS не доступна в Вашем регионе, то данная функция не будет работать.

Выбор диапазона

Нажмите на кнопку MODE, чтобы выбрать режим радио - RADIO.

Нажимайте на кнопку BAND, чтобы выбрать диапазон: FM1, FM2, FM3, AM1, AM2.

Ручной/ автоматический поиск радиостанций

Ручной поиск: Нажмите и удерживайте в течение 2 секунд кнопку ◀/▶, чтобы войти в режим ручного поиска. Нажимайте на кнопки ◀/▶, чтобы вручную найти станцию.

Автоматический поиск: Нажмите на кнопку ◀/▶, чтобы начать автоматический поиск. Поиск прекратится при приеме первой станции с сильным сигналом, при этом начнется ее воспроизведение.

Программирование радио станций

Вы можете хранить и воспроизводить 30 радиостанций (18 FM, 12 AM).

Чтобы сохранить станцию:

- Выберите диапазон (если нужно).
- Выберите станцию.
- Нажмите и удерживайте в течение двух секунд кнопку с номером 1~6, под которым Вы бы хотели сохранить эту станцию.

Чтобы вызвать станцию:

- Выберите диапазон (если нужно).
- Нажмите на кнопку с номером нужной сохраненной станции 1~6.

Функция автоматического сохранения станций в памяти

Выберите диапазон. Нажмите и удерживайте в течение 2 секунд кнопку A.P, 6 самых сильных доступных станций будут автоматически сохранены в памяти кнопок 1~6. Чтобы остановить автоматическое сохранение, снова нажмите на кнопку A.P.

Функция автоматического предпрослушивания станций

Выберите диапазон. Нажмите на кнопку A.P, чтобы прослушать все сохраненные в текущем диапазоне станции в течение 7 секунд. Во время прослушивания номер каждой станции будет мигать на дисплее. Чтобы остановить прослушивание, снова нажмите на кнопку A.P.

Функция EON

При прослушивании радио или CD диска, если на приемник поступит информация о дорожном движении от ближайшей радиостанции, приемник запомнит частоту этой радиостанции. Затем он настроится на эту частоту, увеличит громкость и прервет прослушивание текущей радиостанции или диска, чтобы Вы могли прослушать полученную информацию. После этого приемник вернется к предыдущему состоянию.

Нажмите и удерживайте в течение 2 секунд кнопку AF, чтобы включить или выключить функцию EON.

Функция TA (Программы о дорожном движении)

1. При нажатии на кнопку TA режим TA включается (ON) или выключается (OFF).
2. Когда функция TA включена, начнется передача дорожного движения, при этом уровень громкости приемника перейдет к установленному Вами уровню (Нажмите и удерживайте в течение 2 секунд кнопку DSP/M, чтобы выбрать настройку TA VOLUME. Вращайте регулятор громкости, чтобы установить уровень громкости в режиме TA от 0 до 40).

3. Нажмите и удерживайте в течение 2 секунд кнопку DSP/M, чтобы выбрать настройку SEEK. Вращайте регулятор громкости, чтобы включить или выключить функцию.

Функция AF (Альтернативные частоты)

Нажмите на кнопку AF, чтобы режим AF стал активным. На дисплее появится надпись AF.

В активном режиме AF радио постоянно проверяет силу сигнала альтернативных частот, на которых может транслироваться RDS программа. Если сигнал слабый или исчезает, тюнер будет автоматически искать другую частоту с этой программой.

По умолчанию функция включена.

ФункцияPTY (Тип программы)

1. Нажмите на кнопку PTY, чтобы выбрать программу: Музыка – Речь – Выкл.
2. При помощи 6 кнопок предварительной установки выберите код музыкальной группы.
3. При помощи 6 кнопок предварительной установки выберите код голосовой группы.

Ориентируйтесь на следующую таблицу:

Номер кнопки	Музыкальная группа	Голосовая группа
1	POP, ROCK	NEWS, AFFAIRS, INFO
2	EASY, LIGHT	SPORT, EDUCATE, DRAMA
3	CLASSICS,	CULTURE, SCIENCE, VARIED
4	JAZZ, COUNTRY	WEATHER, FINANCE, CHILDREN
5	NATION, OLDIES	SOCIAL, RELIGION, PHONE IN
6	FOLK	TRAVEL, LEISURE, DOCUMENT

При включенной функции PTY приемник начинает поиск соответствующего типа программы. И останавливается, когда программа найдена.

4. Нажмите на кнопку PTY еще раз, чтобы выключить функцию PTY.

Воспроизведение файлов с CD

Диски для воспроизведения

Это устройство может воспроизводить разновидности цифровых дисков: CD/CD-R/-RW. Совместимо с форматами: MP3/WMA/CDDA.

Загрузка диска

1. Включите питание устройства.
2. Нажмите на кнопку OPEN на панели, чтобы открыть ее.
3. Установите диск в слот маркированной стороной вверх.
4. Нажмите на кнопку EJECT, чтобы вынуть диск.

Воспроизведение/ Пауза

Когда диск в устройстве, начинается автоматическое воспроизведение первого трека. Чтобы обеспечить высокое качество воспроизведения, дождитесь, пока плеер закончит читать диск, а затем начинайте воспроизведение. Во время воспроизведения нажмите на кнопку PLAY/PAUSE, режим паузы активируется. Нажмите на кнопку PLAY/PAUSE еще раз, чтобы продолжить воспроизведение.

Переход к предыдущему или следующему треку

1. Нажмите во время воспроизведения на кнопку ◀, чтобы начать воспроизведение с начала текущего трека. Нажмите еще раз, чтобы начать воспроизведение предыдущего трека.
2. Нажмите во время воспроизведения на кнопку ▶, воспроизведение начнется со следующего трека.

Переход к предыдущей или следующей папке

Во время воспроизведения MP3/WMA файлов нажимайте на кнопки с цифрами 5 и 6, чтобы переходить к предыдущей и следующей папкам соответственно.

Ускоренное воспроизведение вперед или назад

Во время воспроизведения нажимайте на кнопки ◀/▶, чтобы начать ускоренное воспроизведение назад или вперед. Отпустите кнопку, когда дойдете до фрагмента, с которого хотите продолжить воспроизведение.

Функция сканирования Intro

Вы можете последовательно воспроизводить начало каждого трека в течение 10 секунд.

Во время воспроизведения треков нажмите на кнопку INT, чтобы начать воспроизведение всех треков. Нажмите еще раз для отмены.

Во время воспроизведения MP3/WMA файлов нажмите и удерживайте в течение 2 секунд кнопку INT, чтобы начать воспроизведение треков в текущей папке.

Повтор воспроизведения

Во время воспроизведения треков нажмите на кнопку RPT, чтобы начать повторное воспроизведение текущего трека. Нажмите еще раз для отмены.

Во время воспроизведения MP3/WMA файлов нажмите и удерживайте в течение 2 секунд кнопку RPT, чтобы начать повторное воспроизведение треков в текущей папке.

Случайное воспроизведение

Во время воспроизведения треков нажмите на кнопку RDM, чтобы начать воспроизведение всех треков на диске в случайном порядке. Нажмите еще раз для отмены.

Функция поиска файлов

1. Во время воспроизведения MP3/WMA файлов нажмите на кнопку В, чтобы открыть меню поиска файлов. На дисплее появится корневая директория.
2. Нажмите на кнопку SEL, чтобы войти в нее. На дисплее появится список директорий на диске.
3. Вращайте регулятор громкости, чтобы выбрать нужную директорию (трек).
4. Нажмите на кнопку SEL, чтобы войти в нее (начать воспроизведение выбранного трека).
5. Повторяйте шаги 3-4 до тех пор, пока нужный файл не будет найден.
6. Нажмите на кнопку SEL, чтобы начать воспроизведение выбранного трека.

Отображение ID3 тэгов

Во время воспроизведения MP3 файлов нажимайте на кнопку А.Р, чтобы отобразить на дисплее имя текущей директории, имя текущего файла, заголовок, имя исполнителя и альбом.

Если текущий файл содержит ID3 тэги версии 1.0/2.0, они появятся на дисплее.

Обзор MP3

Замечания по MP3:

MP3 это краткое обозначение аудио слоя MPEG 3 и относится к стандарту технологии сжатия звука. Данное изделие позволяет воспроизводить файлы MP3 на дисках CD-ROM, CD-R или CD-RW.

Изделие может считывать файлы MP3, записанные в формате, соответствующем ISO 9660. Однако оно не поддерживает данные MP3, записанные методом пакетной записи.

Изделие не может считывать файлы MP3, которые имеют расширение файла, отличающееся от “.mp3”.

Если вы воспроизводите не MP3 файл, который имеет расширение “.mp3”, вы можете слышать некоторые шумы.

В данном руководстве мы рассматриваем файлы, называемые “файлами MP3” и “папкой”, а в технологии PC “дорожкой” и “альбомом” соответственно.

Максимальное количество уровней директории равно 8, включая корневую директорию. Максимальное количество файлов и папок на диске 256.

Изделие может не воспроизводить дорожки в последовательном порядке.

Изделие воспроизводит только аудио треки, если диск содержит как аудио треки, так и файлы MP3.

При воспроизведении диска 8 килобит или VBR, истекшее время воспроизведения в окне дисплея будет неправильным, а также ознакомительное воспроизведение может не действовать надлежащим образом. VBR: Переменная скорость передачи битов.

Замечание по созданию собственных CD-R или CD-RW, содержащих файлы MP3:

Для получения высокого качества звука мы рекомендуем преобразовывать файлы MP3 с эталонной частотой 44,1 кГц и фиксированным битрейтом 128 Кбит/сек.

НЕ сохраняйте более 256 файлов MP3 на диске.

Для формата, совместимого с ISO 9660, максимально допустимая глубина вложенных папок равняется 8, включая корневую директорию (папку).

При использовании диска CD-R воспроизведение возможно только для дисков, которые были закончены.

Убедитесь, что при записи MP3 CD-R или CD-RW были отформатированы как диски данных, а НЕ как аудио диски.

Вы не должны записывать не-MP3 файлы или ненужные папки вместе с файлами MP3 на диск, в противном случае потребуется много времени, пока изделие начнет воспроизводить файлы MP3.

На некоторых CD-R или CD-RW данные могут не быть записаны надлежащим образом в зависимости от качества их производства. В этом случае данные могут быть воспроизведены не надлежащим образом. Рекомендуются диски CD-R или CD-RW высокого качества.

Имя альбома или композиции может содержать до 16 символов. Необходима версия 1.x ID3TAG.

Помните, что изделие может не воспроизводить треки в том порядке, в котором они записаны на диске.

Система против кражи

Снятие панели

1. Нажмите на кнопку POWER, чтобы выключить питание устройства.
2. Нажмите на кнопку OPEN, чтобы снять панель.
3. Нажмите на панель в левую сторону и вытяните ее правую сторону на себя..
4. Положите панель в специальный футляр и возьмите его с собой, когда будете покидать машину.

Съем изделия

1. Снимите панель.
2. Вставьте два Т-образных ключа в отверстие лицевой стороны, пока не услышите щелчок.
3. Выньте изделие.

Обращение с дисками

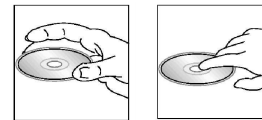
Грязные, поцарапанные или погнутые диски могут вызвать искажение звука или шумы. Держите диск только за края (как показано на рисунке). Чтобы обеспечить чистоту, не прикасайтесь к его поверхности.

Диски должны храниться в их чехлах после использования, чтобы не поцарапать их поверхность.

Не подвергайте диски действию прямого солнечного света, повышенной влажности, повышенным температурам или действию пыли.

Продолжительное влияние предельных температур может изогнуть диск (например, пребывание дисков в автомобиле в летнее время).

Не царапайте и не пишите что-либо на любой стороне диска. Острые пишущие инструменты или чернила, используемые в них, могут повредить поверхность диска.



НЕ ПРИКАСАЙТЕСЬ к стороне, не имеющей маркировки.

НЕ ПРИКРЕПЛЯЙТЕ какую-либо печать, этикетку или лист предохранения данных к любой стороне диска.

Чистка и уход

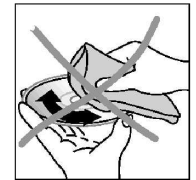
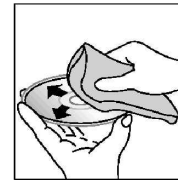
Чистка корпуса

Протирайте мягкой тканью. Если корпус очень загрязнен (не мочите его), используйте ткань, слегка смоченную мыльным раствором, и затем вытрите его сухой тканью.

Чистка дисков

Отпечатки пальцев должны быть тщательно стерты с поверхности диска мягкой тканью. В отличие от обычных пластинок, компакт-диски не имеют канавок для сбора пыли и микроскопических частиц грязи, поэтому осторожно вытирайте их мягкой тканью, чтобы убрать частицы грязи. Вытирайте прямолинейным движением от центра к краю.

Никогда не используйте растворитель, бензин, очиститель пластинок или антистатический аэрозоль для чистки дисков. Такие химические вещества могут повредить его пластиковые поверхности.



Руководство по устранению неисправностей

Неисправность	Причина	Решение
Нет питания	Зажигание машины не включено. Сгорел предохранитель.	Если источник питания подключен надлежащим образом к выключателю машины, установите ключ зажигания в положение “АСС”. Замените предохранитель.
Невозможно загрузить диск	В плеер установлен диск.	Удалите диск из плеера, затем установите новый.
Невозможно считать диск	Диск установлен верхней стороной вниз. Диск загрязнен или имеет дефект. Температура внутри машины очень высокая.	Установите компакт диск стороной с этикеткой вверх. Очистите диск или установите новый. Подождите, пока температура не станет нормальной.
Нет звука	Звук установлен на минимум. Кабель не подключен надлежащим образом.	Отрегулируйте звук до необходимого уровня. Проверьте подключение кабеля.
Не действуют функциональные ключи	Встроенный микрокомпьютер не работает надлежащим образом из-за шумов. Передняя панель не установлена на свое место.	Нажмите кнопку RESET. Повторно установите переднюю панель.
Звук пропадает	Угол установки более 30 градусов. Диск загрязнен или имеет дефект.	Отрегулируйте угол установки, установив его менее 30 градусов. Очистите диск или установите новый.
Радио не работает. Не работает автоматический выбор радиостанции	Антенный кабель не подключен. Сигналы слишком слабы.	Вставьте антенный кабель надежно. Выберите станцию вручную.

Технические характеристики

Общие	
Источник питания:	12 В постоянного тока
Потребляемый ток/Предохранитель:	Максимум 15 А
Максимальная выходная мощность:	50 Вт x 4 канала
Размеры (Д x Ш x В):	178 x 165 x 50 мм
Рабочий диапазон температур:	-10°C - +60°C
Сtereo FM радио	
Частотный диапазон:	65 – 74 / 87.5 - 108.0 МГц
Используемая чувствительность:	10 дБ
Память цифрового тюнера	18 станций
MW и LW радио	
Частотный диапазон:	522 кГц - 1620 кГц
Память цифрового тюнера	12 станций
Аудио	
Максимальный уровень сигнала на выходе:	2 В RMS (+/-3 дБ)
Частотный диапазон:	20 Гц – 20 КГц
Уровень сигнал-шум (A-vtd):	55 дБ
DSP процессор	Classic, Rock, Pop, Flat
Линейный выход	CD макс. 2000 мВ

Технические характеристики могут быть изменены заводом-изготовителем без предварительного уведомления.

Указанные масса и геометрические размеры имеют приблизительные значения.