

Model Number: BC25TG15-04
Product Line: Peerless Silver

Revision: Rev 1_0
Date: 4-Sep-09

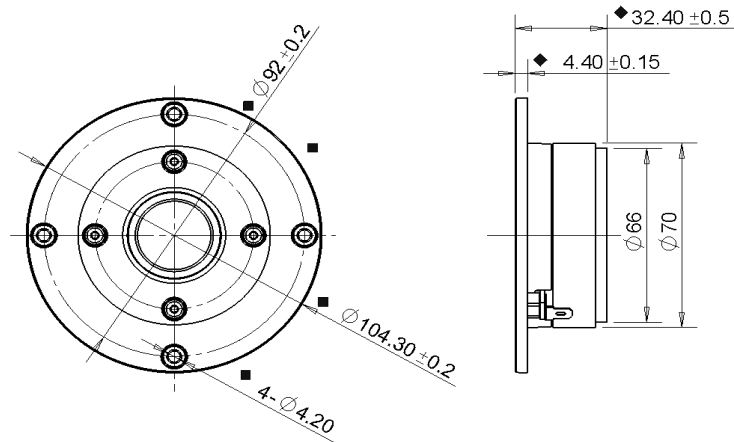


Product Description:

This BC family tweeter features a 4 ohm 25 mm voice coil, a damped fabric dome for smooth frequency response performance, and ferrofluid in the gap of the ferrite magnet motor, providing enhanced cooling of the voice coil. The tweeter's faceplate features recessed mounting holes, to hide mounting screws and minimize reflections.



Mechanical 2D Drawing:



Specifications:

DC Resistance	R_{evc}	Ω	3.0	5.0%	Energy Bandwidth Product	EBP	$(1/Q_{es}) \cdot f_s$	896
Minimum Impedance	Z_{min}	Ω	3.7	7.5%	Moving Mass	M_{ms}	g	0.31
Voice Coil Inductance	L_e	mH	0.02		Suspension Compliance	C_{ms}	um/N	64.5
Resonant Frequency	f_s	Hz	1130	15.0%	Effective Cone Diameter	D	cm	2.8
Mechanical Q Factor	Q_{ms}	-	2.5		Effective Piston Area	S_D	cm ²	6.2
Electrical Q Factor	Q_{es}	-	1.26		Equivalent Volume	V_{as}	L	0.00
Total Q Factor	Q_{ts}	-	0.84		Motor Force Factor	BL	T·m	2.28
Ratio f_s / Q_{ts}	F	f_s / Q_{ts}	1340		Motor Efficiency Factor	β	$(T \cdot m^2) / \Omega$	1.73
Half Space Sensitivity @ 2.83V	$dB @ 2.83V/1m$	dB	93.2	$\pm 1.0^1$	Voice Coil Former Material	VC_{fm}	-	ASV
Sensitivity @ 1W/1m	$1W/1m$	dB	87.8	$\pm 1.0^1$	Voice Coil Inner Diameter	VC_{id}	mm	25.4
					Gap Height	Gh	mm	3.0
Rated Noise Power (IEC 2685 18.1)	P	W	50		Maximum Linear Excursion	X_{max}	mm	0.50
Test Spectrum Bandwidth	1.1kHz - 20kHz		12 dB/Oct		Ferrofluid Type	FF		APG027
					Transducer Size	-	inch	1
					Transducer Mass	-	kg	0.5

1 - Piston Band Sensitivity Tolerance

Frequency and Impedance Response:

