

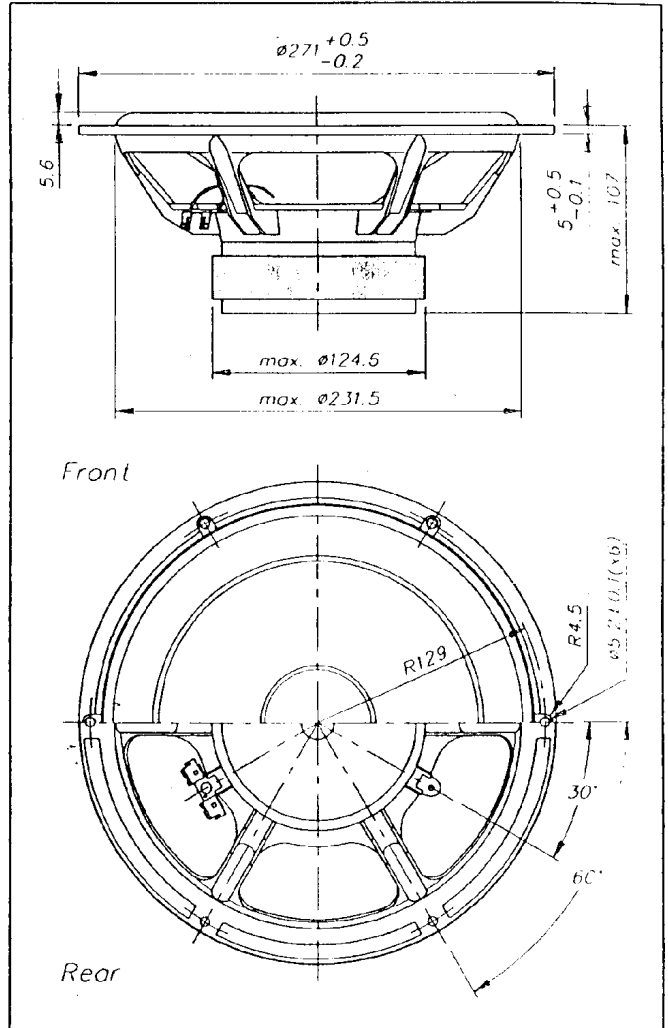
10" WOOFER

SPECIAL FEATURES:

- NEW LONG STROKE, LOW REFLEXION, MAGNESIUM BASKET
- VERY STIFF CONICAL PAPER CONE
- LOW DAMPING RUBBER SURROUND
- MAGNET SYSTEM WITH 2" V. C. AND LARGE VENT
- OPTIMIZED FOR BASS REFLEX

NOMINAL IMPEDANCE	8 Ω
VOICE COIL RESISTANCE	5.9 Ω
NOMINAL POWER (IEC 268-5)	160 W ¹⁾
SHORT TERM MAX. POWER (IEC 268-5)	>500 W ²⁾
LONG TERM MAX. POWER (IEC 268-5)	300 W ³⁾
MUSIC POWER (DIN 45500)	200 W
OPERATING POWER	5.6 W
SENSITIVITY (1W, 1m) / (2.83V, 1m)	88.5/88.5 dB
FREQUENCY RANGE	26-1000 Hz
FREE AIR RESONANCE	26 Hz
VOICE COIL DIAMETER	50 mm
VOICE COIL HEIGHT	21 mm
AIR GAP HEIGHT	8 mm
VOICE COIL INDUCTANCE	1.8 mH
EFFECTIVE CONE AREA	337 cm ²
MOVING MASS (incl. air)	45 g
MAGNET WEIGHT (37.4 oz)	1062 g
FORCE FACTOR, BxI	11 Txm
Vas	130 ltr
Qms	2.82
Qes	0.36
Qts	0.32

M26WR-09-08



M26WR-09-08

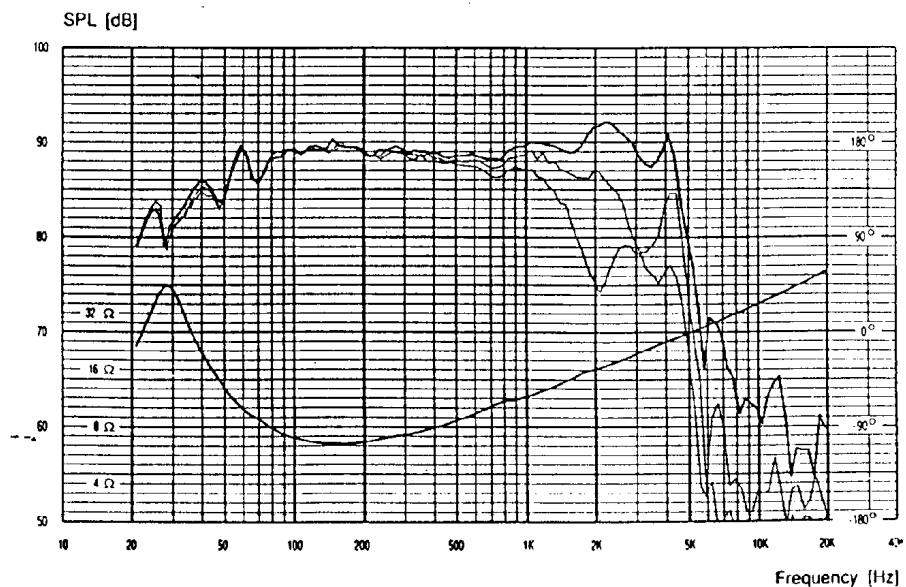
DISPERSION PLOT
0, 30 and 60 deg.

Input: 2.83V
Mic.: 1m

320 ltr. box mounted
in infinite baffle.

06.08.93 ABC

Anechoic room 6x7x8 meters.
Half space free-field above 100 Hz.
Brüel & Kjær 2012 Audio Analyzer.



M26WR-09-08

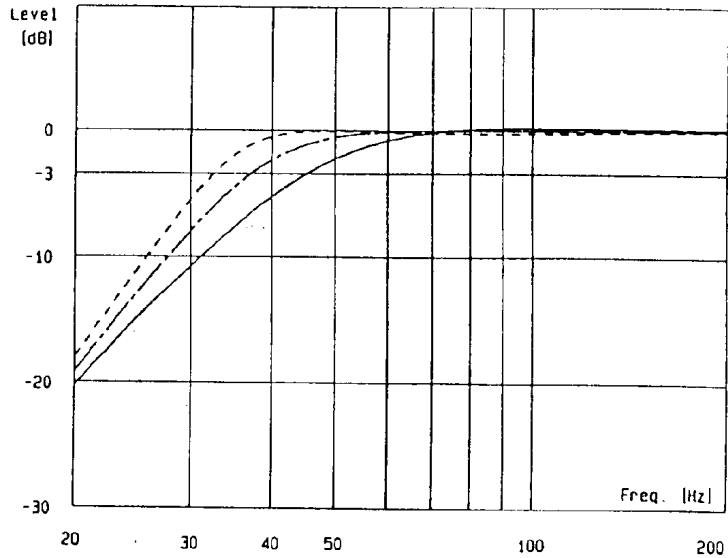
Applications

BASS REFLEX SYNTHESIS

Moderate Damping of Box
No Deliberate Damping of Port

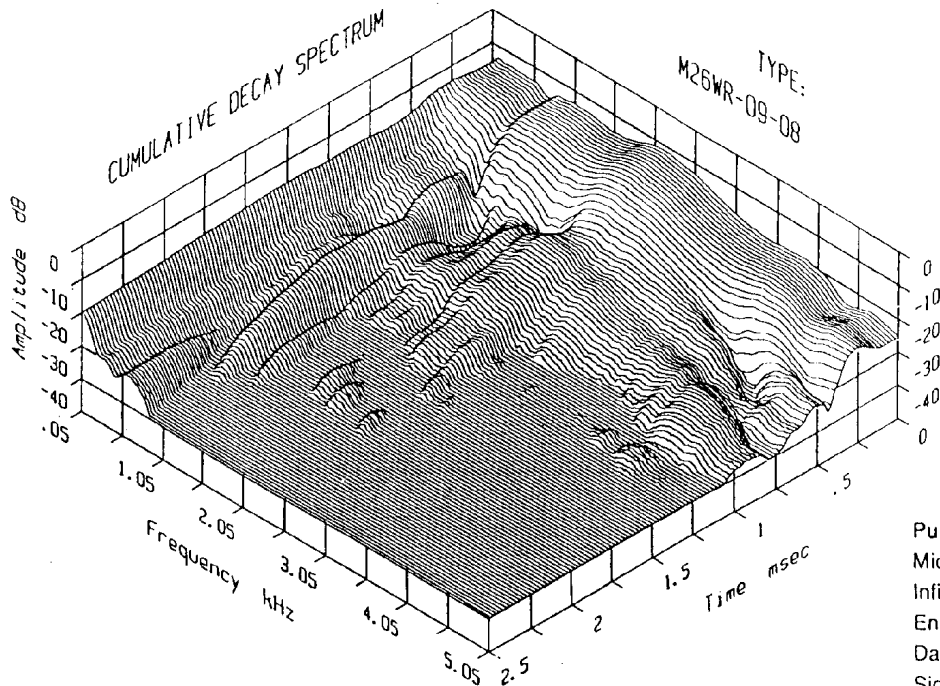
	Vb (Ltrs)	Fb (Hz)	Op (cm)	Lp (cm)
1 ———	40	35	7.5	21.4
2 - - -	65	35	9.0	17.2
3 - - -	100	34	9.0	9.8

Vb: Box volume
Fb: Tuning Frequency
Op: Port Diameter
Lp: Port Length



The M26WR-09-08 is designed for bass reflex enclosures of 40-100 litre. The bass reflex synthesises are calculated with 0.7Ω series resistance. The woofer is optimized for use in 3- or more-way systems, and recommended for use with cross over frequencies below 500 Hz.

Note 1-3) Power test conditions: Amb. temp. $21^{\circ}\text{C} \pm 3^{\circ}\text{C}$, 30 litre sealed enclosure. Note 1) 100 hours continuous. Note 2) Signal 1 sec., pause 1 min., repeated 60 times. Note 3) Signal 1 min., pause 2 min., repeated 10 times.



Pulse: 25 V/50 μS
Mic.: 0.25 m
Infinite baffle
Enclosure: 320 l
Date: 29.09.92
Sign.: ABC